

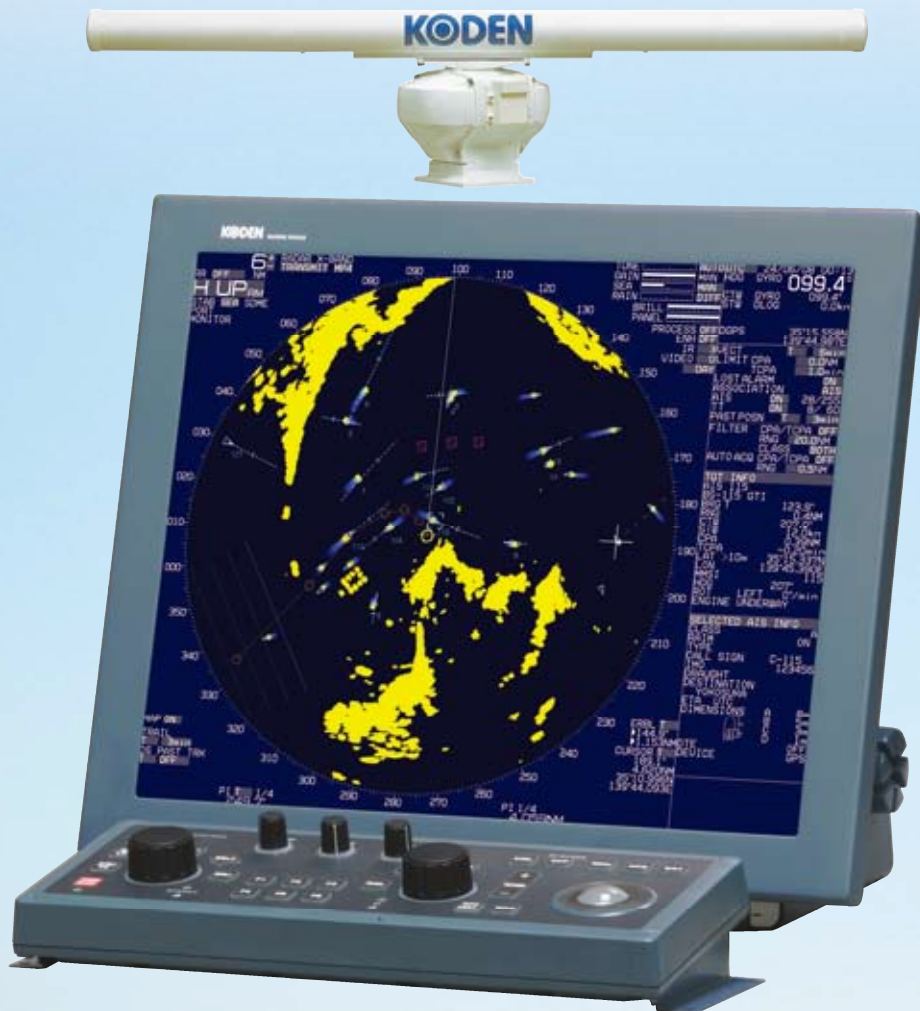
PREVIEW
New IMO Radar

KODEN

**19-inch Color LCD
Marine Radar**

MDC-2900P Series

**Designed to Comply with
New IMO regulation MSC192(79)***



Features

- ▶ Meeting with SOLAS carriage requirements for ships up to 10,000 gross tons.
- ▶ New CFAR function with Koden's Semi-automatic clutter suppression.
- ▶ Built-in TT tracks up to 60 targets. (New IMO requirements: 30 targets)
- ▶ Built-in AIS interface for displaying up to 254 targets. (New IMO requirements: 150 targets)
- ▶ 19-inch High resolution display (SXGA).
- ▶ Interswitch function by connecting two radar displays without an extra device.
- ▶ Real-time smooth HEAD-UP presentation.
- ▶ Trackball with two-color LED lamp for helping operation at night.

Black Box type is also available.

*The IMO approval is in progress.

SPECIFICATIONS

Antenna-Scanner unit

Model	MDC-2910P	MDC-2920P
Antenna type	Open array	
Antenna length	4 feet / 6 feet	
Output power (Peak)	12 kW	25 kW
Output frequency	9410 MHz	
Horizontal beam width	4 feet: 1.8°/ 6 feet: 1.2°	
Vertical beam width	22°	
Rotation	24 rpm	
IF center frequency	60 MHz	
Range accuracy	7 meters or 1% of the range scale selected, whichever is the greater	
Minimum detecting distance	within 40 m	
Range resolution	within 40 m	
Warm-up time	120 sec	180 sec
Pulse width	0.08 us, 0.15 us, 0.3 us, 0.6 us, 1.2 us	

Environmental

Water protection	IPX6	
Operating temperature	-25°C to +55°C	

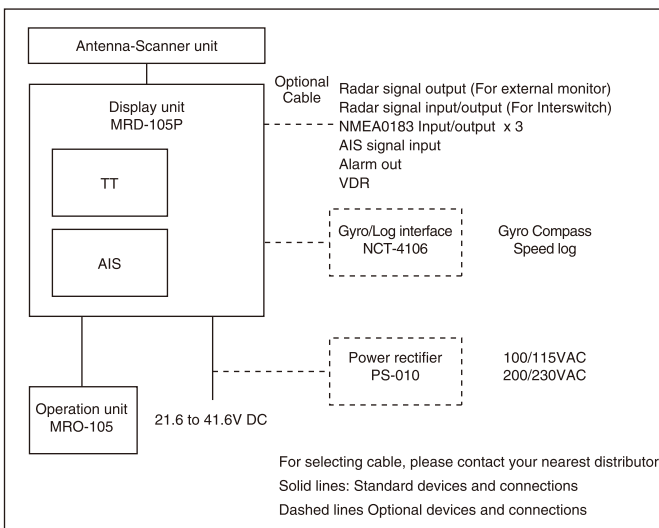
Display unit

Model	MDC-2910P	MDC-2920P
Power output (Peak)	12 kW	25 kW
Maximum range	72 nm	96 nm
Display unit	MRD-105P	
Display size / type	19" color TFT LCD	
Effective diameter	278 mm	
Display resolution	1280 x 1024 pixels	
Off-centering	Max. 72%	
Presentation modes	Head-up, North-up, Course-up	
Range Rings interval	0.0625(0.125,0.25), 0.125(0.5,0.75), 0.25(1.5), 0.5(3), 1(6), 2(12), 4(24), 8(48), 12(72), 16(96) (): Range scales	
Range scales	0.125,0.25,0.5,0.75,1.5,3,6,12,24,48,(72),(96) nm 72nm: 12kW only. 96nm: 25kW only.	
Video level	7 levels	
Distance unit (VRM, PI)	NM, KM	
Other functions	CFAR (Clutter rejection), Interference rejection, Enhance (Target expansion), Process (Averaging), VRM, EBL, Parallel index, ERBL, Cursor position (Lat/Lon), Bearing (true/relative), Trail (true/relative), Own ship past track, MAP (Event mark, etc), RGB	
Input data format	BWC, DBT, DPT, DTM, GGA, GLC, GLL, GNS, HDG, HDT, HDM, MTW, RMA, RMB, RMC, RTE, THS, VBW, VDR, VHW, VTG, WPL, XTE, ZDA	
Output data format	RSD, OSD, TLB, TTD, TTM	
NMEA input/output ports	3	
AIS interface	Auto/Manual 254 Targets	
TT	Auto/Manual 60 Targets	
Power supply	21.6 to 31.2 VDC	

Environmental

Water protection	-	
Operating temperature	-15°C to +55°C	

CONNECTIONS



EQUIPMENT LIST

Standard Equipment

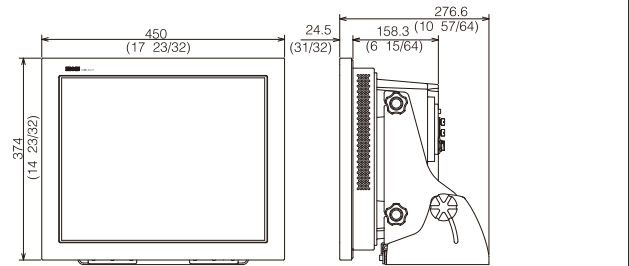
Scanner unit	RB718BP	10 kW	MDC-2910P
	RB719BP	25 kW	MDC-2920P
Antenna unit	RW701A-04	4 feet	
	RW701A-06	6 feet	
Display unit	MRD-105P		
Operation unit	MRO-105	2 m with connecting cable	
Connecting cable	242J159098B-15M	15 m with connectors on both ends	
DC power cable	CW-259-2M	2m	
Operation manual, Installation manual, Installation material, Fuse			

Option

Gyro/Log interface unit, Power rectifier, AC power cable, Connecting cables

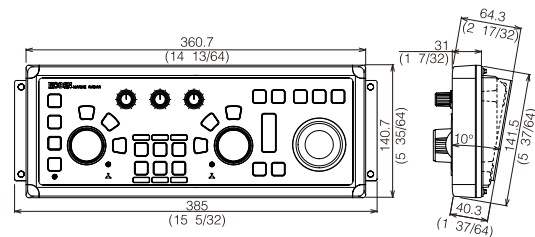
DIMENSIONS AND WEIGHT

Display unit: MRD-105P



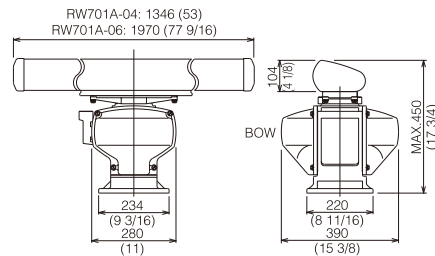
Weight : 15.0 kg (33 lb)

Operation unit: MRO-105



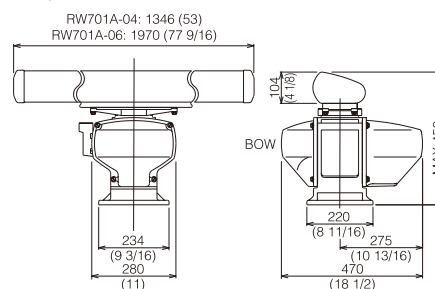
Weight : 1.8 kg (4 lb)

Antenna-Scanner unit RB718BP



Weight:
4 feet antenna: 23 kg (50.7 lb)
6 feet antenna: 25 kg (55 lb)

RB719BP



Weight:
4 feet antenna: 27 kg (59.5 lb)
6 feet antenna: 29 kg (63.9 lb)

• Design and specifications are subject to change without notice.

KODEN Kodon Electronics Co., Ltd.

Tamagawa Office:
2-13-24 Tamagawa, Ota-ku, Tokyo, 146-0095 Japan
Tel: +81-3-3756-6501 Fax: +81-3-3756-6509
Uenohara Office:
5278 Uenohara, Uenohara-shi, Yamanashi, 409-0112 Japan
Tel: +81-554-20-5860 Fax: +81-554-20-5875

overseas@koden-electronics.co.jp

www.koden-electronics.co.jp



**Safety
precaution**

To ensure proper and safe use of the equipment, please carefully read and follow the instructions in the Operation Manual.

For details, please contact: