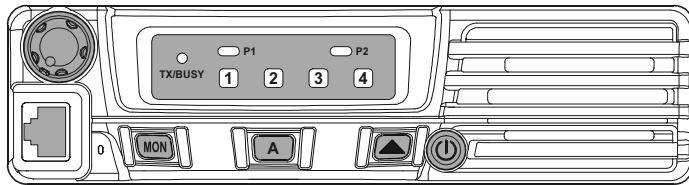


 **Vertex Standard**

VX-4100 SERIES

OPERATING MANUAL **MANUAL DE OPERACIÓN**



Vertex Standard LMR, Inc.

4-8-8 Nakameguro, Meguro-Ku, Tokyo 153-8644, Japan

ENGLISH

Congratulations!

You now have at your fingertips a valuable communications tool: a VERTEX STANDARD two-way radio! Rugged, reliable and easy to use, your VERTEX STANDARD radio will keep you in constant touch with your colleagues for years to come, with negligible maintenance downtime.

Please take a few minutes to read this manual carefully. The information presented here will allow you to derive maximum performance from your radio, in case questions arise later on.

We're glad you joined the VERTEX STANDARD team. Call on us anytime, because communications is our business. Let us help you get your message across.

NOTICE !

There are no owner-serviceable parts inside the transceiver. All service jobs must be referred to an authorized VERTEX STANDARD Service Representative. Consult your Authorized VERTEX STANDARD Dealer for installation of optional accessories.

SAFETY/WARNING INFORMATION

WARNING - DO NOT operate the VX-4100 radio when any person(s) (bystanders) outside the vehicle are within the distances shown in the chart at the bottom of this section.

Safety Training information:

Antennas used for this transmitter must not exceed an antenna gain of 0 dBd. The radio must be used in vehicle-mount configurations with a maximum operating duty factor not exceeding 50%, in typical Push-to-Talk configurations.

This radio is restricted to occupational use, work related operations only where the radio operator must have the knowledge to control the exposure conditions of its passengers and bystanders by maintaining the minimum separation distance shown below.

Failure to observe these restrictions will result in exceeding the FCC RF exposure limits.

Antenna Installation:

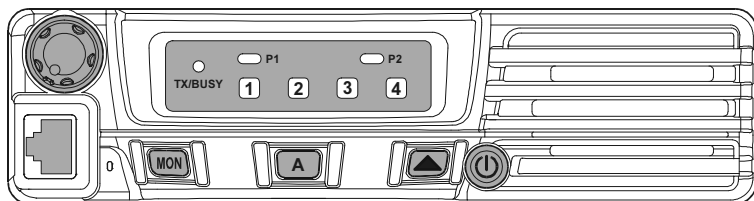
For rear deck trunk installation, the antenna must be located at least the following distance away from rear-seat passengers in order to comply with the FCC RF exposure requirements.

For roof top installations, the antenna must be placed in the center of the roof.

Unsafe Radiation Distance

VX-4104	VX-4107
1.97 Feet (0.60 m)	2.82 Feet (0.86 m)

INTRODUCTION



The **VX-4100** Series are full-featured FM transceiver designed for flexible mobile and base station business communications in the VHF or UHF Land Mobile bands. These transceiver are designed for reliable business communications in a wide variety of applications with a wide range of operating capability provided by their leading-edge design.

Important channel frequency data is stored in EEPROM and flash memory on the CPU, and is easily programmable by dealers using a personal computer and the VERTEX STANDARD **VPL-1** Programming Cable and **CE59** Software.

The pages which follow will detail the many advanced features provided on the **VX-4100** Series transceiver. After reading this manual, you may wish to consult with your Network Administrator regarding precise details of the configuration of this equipment for use in your application

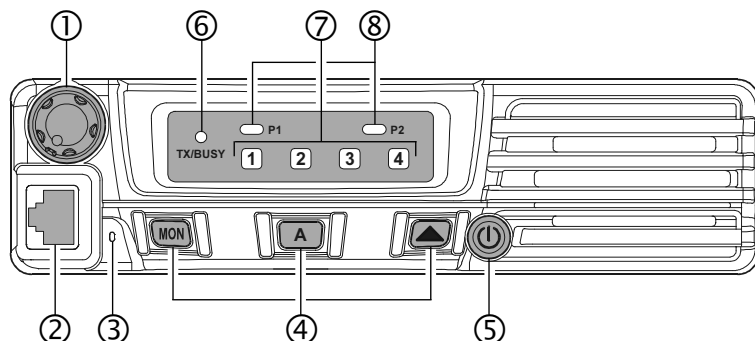
For North American Users Regarding 406 MHz Guard Band

The U.S. Coast Guard and National Oceanographic and Atmospheric Administration have requested the cooperation of the U.S. Federal Communications Commission in preserving the integrity of the protected frequency range 406.0 to 406.1 MHz, which is reserved for use by distress beacons. Do not attempt to program this apparatus, under any circumstances, for operation in the frequency range 406.0 - 406.1 MHz if the apparatus is to be used in or near North America.

CONTROLS & CONNECTORS

Front Panel

Important! - All buttons located on the Front Panel are Programmable Function (PF) Buttons, configured according to your network requirements and programmed by your VERTEX STANDARD dealer. The instructions below describe a typically-configured radio.



① VOL Knob

Turn this control clockwise to increase the volume.

② Microphone Jack

Connect the microphone plug to this jack.

③ Emergency Microphone

The emergency microphone is located behind this small slit. When the emergency feature is activated, this microphone is enabled.

④ [MON], [A], [▲] Buttons (Programmable Function Buttons)

These buttons can be set up for special applications, such as High/Low power selection, Monitor, Talk-Around, etc., as determined by your network requirements and programmed by your VERTEX STANDARD dealer.

⑤ (POWER) Button

Press and hold in this button for 2 seconds to toggle the transceiver's power "on" and "off."

CONTROLS & CONNECTORS

⑥ TX/BUSY Indicator

Indicates the transceiver's Transmit/Receive Status.

Steady Red: Transmitting in progress

Steady Green: Signaling Off

Blinking Green: Busy Channel/Squelch Off

⑦ Channel Number Indicator

Indicates the operating channel.

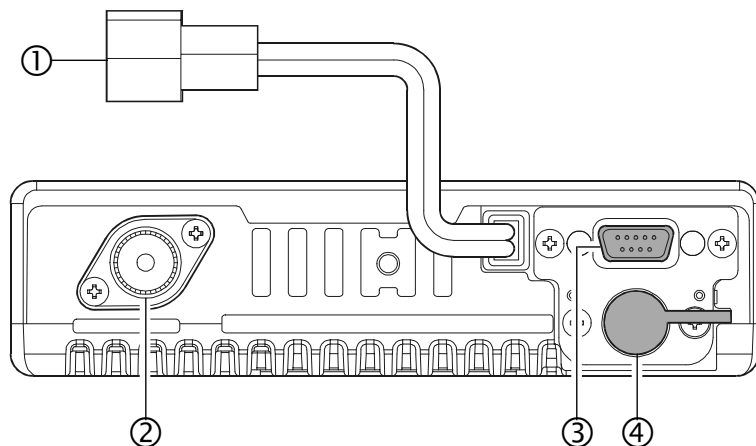
⑧ Transceiver Status Indicator

The "P1" and "P2" indicators show current transceiver status, which can be customized via programming by your VERTEX STANDARD dealer to meet your communications/network requirements. The possible "P1" and "P2" displays are explained below.

STATUS	INDICATOR		DESCRIPTION
	P1	P2	
MONI			This indicator blinks when CTCSS- or DCS-controlled squelch is disabled. The indicator is illuminated constantly while the audio is passing normally.
SCAN Channel			Illuminates the indicator when the operating channel is selected on the SCAN channel.
+4 CH			Illuminates the indicator when the radio recalls the alternate channel list.
LOW			Illuminates the indicator when the radio's transmitter is set to the "Low Power" mode.
TA (Talk Around)			Illuminates the indicator when the "Talk Around" function is activated.
Encryption Disable (Requires optional Unit)			Illuminates the indicator when the "Voice Scrambler" function is disabled temporarily.
Emergency			Illuminates the indicator when the "Emergency" feature is activated.
HOME			Illuminates the indicator when you recall the Home group/channel.
Horn Alert			Illuminates the indicator when the "Horn Alert" feature is activated.
Public Adress			Illuminates the indicator when the radio is turned to a PA amplifier.
Key Lock			Illuminates the indicator when the front panel's keys are locked.
EXT ACC			Illuminates the indicator when the output port on the Accessory Connector is turned to "ON."
REC/PLAY			Blinks the indicator while the received audio is recording. Illuminates the indicator when the voice recording is completed.

CONTROLS & CONNECTORS

Rear Panel



① 13.6V DC Cable Pigtail with Connector

The supplied DC power cable must be connected to this 2-pin connector. Use only the supplied fused cable, extended if necessary, for power connection.

② Antenna Socket

The 50-Ohm coaxial feedline to the antenna must be connected here, using a type-M (PL-259) plug.

③ D-Sub 15-Pin Accessory Connector

External TX audio line input, PTT (Push To Talk), Squelch, and external RX audio line output signals may be obtained from this connector for use with accessories such as data transmission/reception modems, and external Channel control input etc.

④ External Speaker Jack


An external loudspeaker may be connected to this 2-contact, 3.5-mm mini-phone jack.

Caution: Do not connect either wire of this line to ground, and be certain that the speaker has adequate capability to handle the audio output (12 W) from the radio.

BASIC OPERATION OF THE TRANSCEIVER

Important! - Before turning on the radio the first time, confirm that the power connections have been made correctly and that a proper antenna is connected to the antenna jack.

Switching Power ON/OFF

- Press the  (**POWER**) button to turn the radio on. The display will become illuminated.
- Press the PF (Programmable Function) button which is programmed to the Channel Up/Down feature to choose the desired operating channel. A channel number will be displayed. See page 7 for more information on the Programmable Function keys.

Setting the Volume

- Turn the **VOL** knob clockwise to increase the volume, and counterclockwise to decrease it.

Transmitting

- To transmit, monitor the channel and make sure it is clear.
THIS IS AN FCC REQUIREMENT!
- Press the PF button which is programmed to the Monitor feature to listen for channel activity.
- When receiving a call, transmit only after the incoming call ends. The radio cannot receive a call and transmit simultaneously.
- Press the **PTT** switch.
- If the channel is clear, the **BUSY/TX** indicator will glow red. The radio is now transmitting. While holding in the **PTT** switch, speak across the face of the microphone in a clear and normal voice. For best transmission, hold the microphone about 1-1/2 to 2 inches away from your mouth. Release the **PTT** switch to receive.
- If the Busy Channel Lockout feature has been programmed on a channel, the radio will not transmit when a carrier is present. Instead, the radio will generate a short beep three times. Release the **PTT** switch and wait for the channel to be clear of activity.
- If CTCSS or Digital Coded Squelch (DCS) Lockout has been programmed on a channel, the radio can transmit only when there is no carrier being received or when the carrier being received includes the correct CTCSS tone or DCS code.

BASIC OPERATION OF THE TRANSCEIVER

Automatic Time-Out Timer

If the selected channel has been programmed for automatic time-out, you must limit the length of each transmission. While transmitting, a beep will sound 10 seconds before time-out. Another beep will sound just before the deadline; the red “**TX**” indicator will disappear and transmission will cease soon thereafter. To resume transmitting, you must release the **PTT** switch and wait for the “penalty timer” to expire (if you press the **PTT** switch before this timer expires, the timer restarts, and you will have to wait another “penalty” period)

Key Lock

In order to prevent accidental frequency change or inadvertent transmission, various aspects of the **VX-4100**'s keys, and the **PTT** switch, may be locked out. The precise lockout configuration must be programmed by your VERTEX STANDARD dealer

To activate the Locking feature, press and hold in the [**A**] key while turning the radio on. To disable the Locking feature, repeat this power-on procedure.

ADVANCED OPERATION

Programmable Function (PF) Buttons

The **VX-4100** Series includes seven Programmable Function (PF) Buttons. The PF button functions can be customized, via programming by your VERTEX STANDARD dealer, to meet your communications/network requirements. Some features may require the purchase and installation of optional internal accessories. The possible PF button programming features are illustrated below, and these functions are explained on the pages to follow.

For further details, contact your VERTEX STANDARD dealer. For future reference, check the box next to the function that has been assigned to each PF button on your particular radio, and keep it handy.

Function	PF Button			Function	PF Button		
	MON	A	▲		MON	A	▲
MONI				CALL 1 to Call 5			
Channel Up				HOME			
Channel Down				Horn Alert			
SCAN				Public Address			
DW (Dual Watch)				EXT. ACC1			
Follow-Me SCAN				EXT. ACC2			
Follow-Me DW				Direct CH#1			
LOW				Direct CH#2			
TA (Talk Around)				Direct CH#3			
Encryption Disable [※]				Direct CH#4			
Emergency				REC/PLAY [※]			
CALL/RESET							

※: Requires optional unit

ADVANCED OPERATION

Description of Operating Functions

MONITOR (MONI)

Press the assigned programmable key to cancel CTCSS- and DCS-controlled squelch; the **BUSY/TX** indicator will blink green. Press and hold in this button for 1.5 seconds to hear background noise (unmute the audio); the **BUSY/TX** indicator will glow green.

CHANNEL UP/DOWN

Press the assigned programmable key to select a different channel.

CHANNEL SCAN (SCAN)

The Scanning feature is used to monitor multiple channels programmed into the transceiver. While scanning, the transceiver will check each channel for the presence of a signal, and will stop on a channel if a signal is present.

To activate scanning:

- Press the assigned programmable key to activate scanning.
- The scanner will search the programmed channels, looking for active ones; it will pause each time it finds a channel on which someone is speaking.
- Press the assigned programmable key again to disable scanning. Operation will revert to the programmed revert channel.

Note: Your dealer may have programmed your radio to stay on one of the following channels if you press the **PTT** switch during the scanning pause:

- Current channel (“Talk Back”)
- “Last Busy” channel
- “Priority” channel
- “Home” channel
- “Scan Start” channel

ADVANCED OPERATION

DUAL WATCH (DW)

The Dual Watch feature is similar to the SCAN feature, except that only two channels are monitored:

- The current operating channel; and
- The Priority channel.

To activate Dual Watch:

- Press the assigned programmable key.
- The scanner will search the two channels; it will pause each time it finds a channel on which someone is speaking.

To stop Dual Watch:

- Press the assigned programmable key.
- Operation will revert to the “Dual Watch Start” channel.

FOLLOW-ME SCAN

“Follow-Me” Scan feature checks a User-assigned Priority Channel regularly as you scan the other channels. Thus, if only Channels 1, 3, and 5 (of the 8 available channels) are designated for “Scanning,” the user may nonetheless assign Channel 2 as the “User-assigned” Priority Channel via the “Follow-Me” feature.

To activate “Follow-Me” scanning, first select the channel you want to designate as the “User-Assigned Priority Channel” and press the assigned programmable key. Then press the Channel Up/Down key to recall to the “Scanning Start” channel which has been programmed by your dealer to activate the scanner. When the scanner stops on an “Active” channel, the User-assigned Priority Channel will automatically be checked every few seconds; if activity is found on the User-assigned Priority Channel, the radio will switch between it and the Dealer-Assigned Priority Channel, if any.

ADVANCED OPERATION

FOLLOW-ME DUAL WATCH (DW)

To set up a “Dual Watch” frequency pair using the “Follow-Me” feature, select a channel using the Channel Up/Down key. Now press the assigned programmable key; pressing the assigned programmable key locks the current channel as the User-assigned Priority Channel. Now press the Channel Up/Down key to select another channel (not the “Scanning Start” channel). Your radio will now switch back-and-forth between the currently-selected channel and the User-assigned Priority Channel.

During “Follow-Me” scanning (after you have pressed the key), you can set up the “Dual Watch” feature by pressing the Channel Up/Down key to another channel. The radio will then scan back and forth between the original User-assigned Priority Channel and the newly-selected channel.

The Priority Channel you have assigned (before pressing the key) will be retained in memory until you change it.

LOW POWER (LOW)

Press the assigned programmable key to set the radio’s transmitter to the “Low Power” mode, thus extending battery life. Press the key again to return to “High Power” operation when in difficult terrain.

TALK AROUND (TA)

Press the assigned programmable key to activate the Talk Around feature when you are operating on duplex channel systems (separate receive and transmit frequencies, utilizing a “repeater” station). The Talk Around feature allows you to bypass the repeater station and talk directly to a station that is nearby. This feature has no effect when you are operating on “simplex” channels, where the receive and transmit frequencies are already the same.

Note that your dealer may have mode provision for “Talk Around” channels by programming “repeater” and “Talk Around” frequencies on two adjacent channels. If so, the key may be used for one of the other Pre-Programmed Functions.

ENCRYPTION DISABLE (OPTION)

When the Voice Scrambler feature is enabled, press the assigned programmable key to toggle the voice encryption on and off.

ADVANCED OPERATION

EMERGENCY

The **VX-4100** series include an “Emergency” feature which may be useful if you have someone monitoring on the same frequency as your transceiver’s channel.

Press the assigned programmable key to initiate an emergency call. For further details contact your VERTEX STANDARD dealer.

CALL/RESET

This feature, if enabled, allows the user to change the 3-digit Page Call code, used to call other similarly-equipped stations. Press the assigned programmable key, followed by the three digits representing the Page Call code of the station you wish to call. Three tones will be heard after the last key is pressed (the new code will now be transmitted).

The receiver squelch of the other station will be opened, and you can begin communication.

CALL 1 TO CALL 5

Press the assigned programmable key to send a 5-Tone sequential burst which is pre-defined.

HOME CHANNEL (HOME)

Press the assigned programmable key to recall the pre-defined Home channel.

HORN ALERT

Press the assigned programmable key to turn the Horn Alert function “ON” or “OFF.” If you receive a call from the base station with 2-Tone, 5-Tone or DTMF signaling, horn alert will be activated and your vehicle’s will sound.

PUBLIC ADDRESS

Press the assigned programmable key to use the transceiver as a PA amplifier. When you enable this function, a tone sounds. The public address can be used even while scanning and receiving a call.

EXT. ACC1

Press the assigned programmable key to toggle output port “1” “on” and “off.”

EXT. ACC2

Press the assigned programmable key to toggle output port “2” “on” and “off.”

ADVANCED OPERATION

DIRECT CH#1 TO DIRECT CH#4

Press the assigned programmable key to recall the Dealer pre-programmed channel directly.

REC/PLAY (VOICE STORAGE: OPTION)

This function, which requires the optional Voice Storage Unit, allows you to record and play back incoming receiver audio.

Recording:

Press the assigned Rec/Play programmable key for more than 1.5 seconds to toggle the recording feature “on” and “off.” If the incoming signal is being heard through the speaker when the recording feature is set to “on,” the received audio will be recorded. The last 2 minutes of incoming audio will be stored on a first-in, first-out basis.

Playback:

Press the assigned Rec/Play key *momentarily* to start playback. During playback, pressing then [▲] key lets you jump forward 8 seconds. To stop playback before the stored message is complete, press the [A] key.

AF MIN VR

Press the assigned programmable key to reduce the audio output to the (lower) level programmed by your Dealer.

ADVANCED OPERATION

ARTS (Auto Range Transpond System)

This system is designed to inform you when you and another ARTS-equipped station are within communication range.

During ARTS operation, your radio automatically transmits for about 1 second every 25 seconds (the interval is programmed by the Dealer) in an attempt to shake hands with the other station.

If you move out of range for more than two minutes, your radio senses that no signal has been received, three beeps from the beeper will sound. If you subsequently move back into range, a single beep will be heard whenever your radio shakes hands with the other station.

DTMF Paging System

This system allows paging and selective calling, using DTMF tone sequences.

When your radio is paged by a station bearing a tone sequence which matches yours, your radio's squelch will open and the alert will sound. The three-digit code of the station which paged you will be displayed on your radio's LCD.

OPTIONAL ACCESSORIES

FVP-25	Encryption/DTMF Pager Unit
FVP-35	Encryption Unit
DVS-5	Voice Storage Unit
VTP-50	VX-Trunk Unit
FP-1023	External Power Supply
MLS-100	Mobile Loudspeaker (12 W Peak Power)
LF-1	Line Filter
MH-700D	DTMF Back-lit Microphone
MH-25A8J	Microphone
MD-12A8J	Desktop Microphone
VPL-1	Programming Kit

Availability of accessories may vary; some accessories are supplied standard per local requirements, others may be unavailable in some regions.

Check with your VERTEX STANDARD Dealer for changes to this list.

ESPAÑOL

¡Felicitaciones!

Usted acaba de adquirir un valioso aparato de comunicación: ¡un transceptor VERTEX STANDARD! Resistente, seguro y fácil de usar, su nuevo radio VERTEX STANDARD le permitirá mantenerse en contacto permanente con sus colegas por muchos años más, y con el mínimo de interrupciones para realizar su manutención a través del tiempo.

Le recomendamos que se detenga unos minutos para leer este manual con atención. La información que aquí se presenta le permitirá obtener el máximo rendimiento de su radio, en caso de que surjan dudas relativas a su funcionamiento más adelante.

Nos alegra que se haya unido a la familia VERTEX STANDARD. Llámenos cuando guste, puesto que las comunicaciones son asunto nuestro, y permítanos ayudarle a transmitir su mensaje.

¡Aviso!

No existe ninguna pieza que pueda ser reparada por el usuario dentro del transceptor. Todo trabajo de reparación debe ser realizado por un Técnico de VERTEX STANDARD Autorizado. Comuníquese con nuestro Representante de Ventas más cercano cuando desee instalar accesorios en el equipo.

Medidas Preventivas y de Seguridad

ADVERTENCIA – NUNCA utilice el VX-4100 cuando una o más personas (peatones, etc.) estén fuera del vehículo y dentro de las distancias especificadas en el gráfico que se incluye al final de esta sección del manual.

Medidas de Seguridad Iniciales:

La antena que se ha de usar con este transmisor no puede presentar una ganancia superior a 0 dBd. Se debe utilizar el equipo sólo en instalaciones portátiles con un factor de régimen operacional que no exceda el 50%, en configuraciones tradicionalmente destinadas a las comunicaciones habladas.

El funcionamiento de este radio está limitado a las aplicaciones de carácter ocupacional, a las operaciones vinculadas al trabajo solamente, en donde se le exija al radio operador los conocimientos necesarios para controlar el riesgo de exposición de los pasajeros u otras personas en las inmediaciones del lugar al mantener la distancia mínima requerida, conforme se indica a continuación.

De no cumplir con tales restricciones, el usuario excederá los límites de exposición a la energía de RF establecidos por la Comisión Federal de Comunicaciones (o FCC).

Instalación de la Antena:

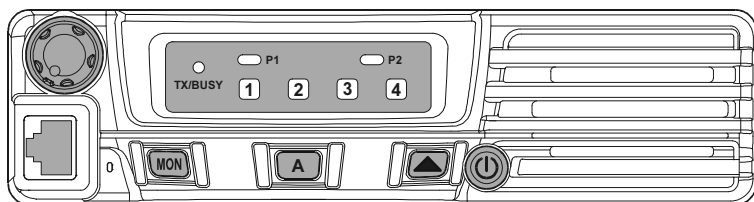
En las instalaciones que se realizan en la cajuela del vehículo, la antena debe quedar separada de los pasajeros en el asiento trasero por lo menos la distancia que se especifica a continuación, con el fin de cumplir con los requisitos de la FCC relativos a los niveles máximos de exposición a la energía radioeléctrica permitidos.

En las instalaciones que se realizan en el techo del vehículo, la antena debe ser colocada en el centro.

Frecuencia Radiada y Distancia

VX-4104	VX-4107
1.97 Feet (0.60 m)	2.82 Feet (0.86 m)

INTRODUCCIÓN



La Serie **VX-4100** se compone de completísimos transceptores en FM, concebidos para ser utilizados indistintamente como estaciones base o portátiles para las comunicaciones comerciales en las Bandas Móviles Terrestres VHF y UHF. Cada modelo ha sido proyectado para mantener la regularidad de las emisiones comerciales en una amplia variedad de aplicaciones gracias a la gran capacidad funcional que deriva de su moderno e innovador diseño.

El usuario puede programar una denominación alfanumérica de 12 caracteres para cada uno de los 501 canales de memorias que existen.

Los datos importantes relativos a la frecuencia de canales son almacenados en una memoria instantánea EEPROM en la Unidad de Procesamiento Central que el distribuidor programa con toda facilidad utilizando una computadora personal, el Cable de Programación **VPL-1** de VERTEX STANDARD y la rutina para ordenadores **CE59**.

En las páginas siguientes se ofrece una descripción detallada de las diversas y avanzadas funciones que poseen los transceptores de la Serie **VX-4100**. Una vez que termine de leer el manual, puede que desee consultar al Administrador de la Red en cuanto a los detalles específicos de configuración del equipo a fin de incorporarlos a su aplicación.

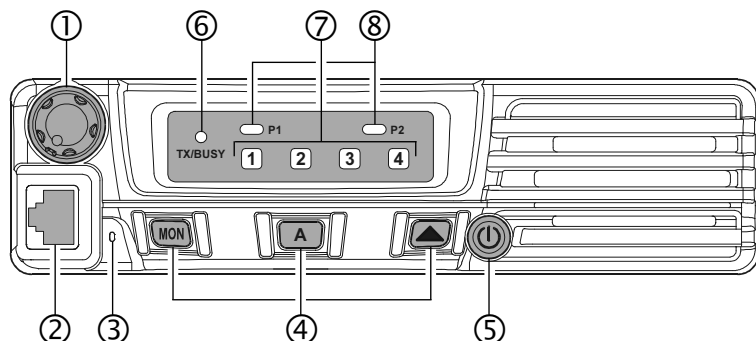
Para los Usuarios Norteamericanos Sobre la Banda de Seguridad de 406 MHz

La Guardia Costera y la Administración Nacional para la Oceanografía y la Atmósfera de los Estados Unidos han solicitado la cooperación de la Comisión Federal de Comunicaciones de ese país para resguardar la integridad de la gama de frecuencias protegida entre los 406.0 y 406.1 MHz, la cual está reservada para el uso de radiobalizas de socorro. Bajo ninguna circunstancia intente programar este aparato para que opere dentro de esa banda de frecuencias si va a utilizar el equipo en Norteamérica o en las inmediaciones de su territorio.

CONTROLES Y CONECTORES

Panel Frontal

¡Importante! – Todo control ubicado en el Panel Frontal es un Botón de Funciones Programable (PF), los cuales se configuran de acuerdo con los requisitos de la red a la que pertenece y a la programación que realice el distribuidor VERTEX STANDARD de su localidad. Las instrucciones que se incluyen a continuación describen un radio cuya configuración es la que típicamente se utiliza para estos aparatos.



① Perilla de Volumen “VOL”

Desplace esta perilla a la derecha a fin de incrementar el nivel sonoro del equipo.

② Conjunto para Micrófono

Conecte la clavija del micrófono en este enchufe.

③ Micrófono de Emergencia

El micrófono de emergencia se encuentra ubicado detrás de esta pequeña hendidura. Dicho dispositivo se activa al momento de hacerse efectiva la función de emergencia.

④ Botones [MON], [A], [▲] (Botones de Funciones Programables)

Estos botones se pueden configurar para ejecutar ciertas aplicaciones especiales, tales como seleccionar el nivel Alto o Bajo de potencia, la función de Monitoreo, la Comunicación Directa, etc., de acuerdo con los requisitos de la red a la que pertenece y a la programación que realice el distribuidor VERTEX STANDARD de su localidad.

⑤ Botón de Encendido (POWER)

Oprima este botón durante 2 segundos para “encender” y “apagar” el transceptor.

⑥ Indicador de Ocupación y Transmisión “BUSY/TX”

Da a conocer el Estado de Transmisión o Recepción del transceptor

Rojo Uniforme: Transmisión en curso

Verde Uniforme: Señal de desconexión

Verde Intermitente: Canal Ocupado/ Sistema de Silenciamiento Desconectado

CONTROLS & CONNECTORS

⑦ Exhibe el Número de Canal

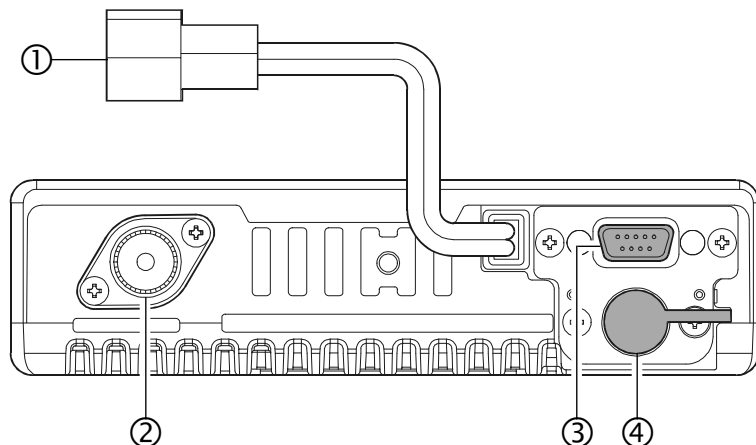
Exhibe el canal de comunicación vigente.

⑧ Indicadores de Estado del Transceptor

Los indicadores “P1” y “P2” exhiben el actual estado funcional del radio, los cuales pueden ser modificados por el representante VERTEX STANDARD de su localidad a fin de satisfacer mejor sus necesidades de trabajo y de cumplir con los requisitos de la red a la que pertenece. Los modos de exhibición que se pueden utilizar con los indicadores “P1” y “P2” se explican a continuación en el manual.

ESTADO	INDICADOR		DESCRIPCIÓN
	P1	P2	
MONIOR			Este indicador aparece intermitente cuando se inhabilita el silenciamiento CTCSS o por Código Digital DCS. Dicho indicador se ilumina en forma constante cuando el audio está pasando normalmente.
Canal de EXPLORACIÓN			Este indicador se ilumina cuando se selecciona el canal de comunicación en el canal de EXPLORACIÓN.
Canales +4 CH			Este indicador se ilumina cuando el radio recupera la lista alternativa de canales.
BAJO			Este indicador se ilumina cuando el transmisor del radio se encuentra ajustado en el modo de “Baja Potencia”.
TA (Comunicación Directa)			Este indicador se ilumina cuando la “Comunicación Directa” ha sido activada.
Módul Criptográfico Inhabilitado (Se requiere Unidad Alternativa)			Este indicador se ilumina cuando se ha inhabilitado temporalmente el “Codificador de Mensajes”.
Emergencia			Este indicador se ilumina cuando la función de “Emergencia” ha sido activada.
INICIO			Este indicador se ilumina cuando el operador recupera el canal o grupo de Inicio.
Alerta de Bocina			Este indicador se ilumina cuando la “Alerta de Bocina” ha sido activada.
Difusión por Altavoces			Este indicador se ilumina cuando el radio está sintonizado con un amplificador para Audiciones Públicas.
Seguro de los Controles			Este indicador se ilumina cuando se han asegurado los controles del panel frontal.
ACCESORIO EXTERNO			Este indicador se ilumina cuando el puerto de salida en el Conector para Accesorios ha sido “Activado”.
GRABAR/TOCAR (Se requiere Unidad Alternativa)			Este indicador se enciende en forma intermitente mientras se registra el audio de recepción, pero se ilumina en forma permanente una vez concluido el proceso de grabación.

Panel Posterior



1. Cable Flexible para 13.6 V de CC con Conector

El cable de alimentación de CC que se suministra con el aparato se debe acoplar a este conector de 2 alfileres de contacto. Utilice solamente el cordón con fusible que incluye el fabricante, extendiéndolo si fuera necesario, para hacer las conexiones a la fuente de alimentación.

2. Conector de Antena

Con una clavija tipo M (PL-259) se debe conectar en este enchufe la línea de alimentación coaxil de 50 ohmios hacia la antena.

3. Conector de 15 Alfileres D-Sub para Accesorios

Las señales de entrada provenientes de una línea de audio de TX externa, de un Conmutador de Micrófono (o PTT), del Circuito Silenciamiento al igual que las señales de salida de una línea de audio de RX externa se pueden obtener a través de este conector, con el objeto de utilizar accesorios, tales como módems destinados a la transmisión y recepción de información, conectores de entrada externos para el control de Canales u otros dispositivos similares.

4. Conjunto para Parlante Externo

En este minienchufe para audífonos de 3,5 mm y dos alfileres de contacto es posible conectar un parlante externo.

Precaución: No conecte ninguno de los cables de esta línea a tierra y asegúrese de que el parlante posea la capacidad adecuada para admitir la salida de audio (de 12 W) proveniente del radio.

FUNCIONAMIENTO BÁSICO DEL TRANSECTOR

¡Importante! – Antes de encender el radio por primera vez, verifique que se hayan realizado adecuadamente las conexiones a la fuente de alimentación y que también se haya conectado la antena apropiada en el enchufe.

Conexión y Desconexión del Transceptor

- ❑ Oprima el interruptor de conexión (**POWER**) durante 2 segundos para encender el radio. La pantalla se ilumina en el momento de realizar la conexión.
- ❑ Accione el botón PF (de Funciones Programable) que haya sido configurado para la selección ascendente o descendente de Grupos a fin de escoger el canal de tráfico deseado. En ese instante aparecerá el número del canal seleccionado en la pantalla. Refiérase a la página 7 del manual para más información sobre las teclas de Funciones Programables.

Regulación del Volumen

- ❑ Gire la perilla de Volumen a la derecha para incrementar el nivel sonoro del equipo y a la izquierda, para atenuarlo.

Transmisión

- ❑ Para transmitir, vigile el canal hasta asegurarse de que está libre.
¡ÉSTE ES UN REQUISITO DE LA COMISIÓN FEDERAL DE COMUNICACIONES!
- ❑ Presione el botón PF programado para gobernar la función de Monitoreo con el objeto de detectar si existe o no actividad en el canal.
- ❑ Cuando reciba una llamada, transmita una vez que haya finalizado la comunicación de llegada. E el radio no tiene la capacidad para recibir y transmitir en forma simultánea.
- ❑ Posteriormente, oprima el conmutador del **PTT**.
- ❑ Si el canal está desocupado, el indicador **BUSY/TX** se iluminará de color rojo, iniciándose de esta forma la transmisión. Mantenga el conmutador del **PTT** oprimido mientras habla a través de la sección delantera del micrófono con un tono de voz clara y normal. Los mejores resultados se logran al sostener el micrófono entre 1-1/2 y 2 pulgadas de los labios. Y por último, suelte el conmutador del **PTT** para comenzar a recibir.
- ❑ De haber programado la Función de Bloqueo para Canal Ocupado en un determinado canal, el radio no transmitirá ninguna señal mientras exista una portadora presente. En lugar de lo anterior, éste generará tres tonos breves. Suelte el **PTT** y espere hasta que cese la actividad en el canal.
- ❑ De haber programado la Función de Bloqueo mediante el Sistema de Silenciamiento CTCSS o Código Digital DCS en un determinado canal, el radio podrá transmitir mientras no se reciba ninguna portadora o cuando la portadora que se reciba contenga el tono CTCSS o código DCS correcto.

FUNCIONAMIENTO BÁSICO DEL TRANSECTOR

Temporizador Automático de Intervalos de Transmisión

El usuario debe limitar la duración de cada transmisión si el canal seleccionado ha sido programado para que se desconecte en forma automática al cumplirse el intervalo de retardo. Mientras transmite, el transceptor genera un pitido diez segundos antes de efectuar la desconexión y vuelve a emitir otro sonido justo antes de cumplirse ese plazo; cuando esto sucede, el indicador de “**TX**” desaparece, interrumpiéndose de allí en adelante todo tipo de emisión. Con el fin de reanudar sus transmisiones, suelte el **PTT** y espere que expire el ciclo del “Temporizador correctivo” (si presiona el **PTT** antes de que dicho dispositivo termine de contar, éste reiniciará su ciclo y usted tendrá que esperar hasta que se cumpla el próximo período “punitivo”).

Seguro del Teclado

Para evitar cambios de frecuencia accidentales o transmisiones inadvertidas, el usuario puede asegurar las teclas y el conmutador del **PTT** del **VX-4100** de varias maneras. La configuración específica a la programación que realice el distribuidor VERTEX STANDARD de su localidad.

Con el objeto de activar el Seguro, oprima firmemente la tecla [**A**] al mismo tiempo que enciende el radio. Repita el procedimiento de conexión anterior cuando desee inhabilitar el Seguro.

FUNCIONAMIENTO AVANZADO

Botones de Funciones Programables (PF)

La Serie **VX-4100** cuenta con siete Botones de Funciones Programables (o PF, *según siglas en inglés*). El usuario puede configurar a su gusto las funciones de estos controles mediante la programación que realiza el distribuidor VERTEX STANDARD de su localidad, de tal forma de satisfacer sus propios requisitos de explotación así como los de la red a la que pertenece. Es posible que algunas funciones prescriban la compra e instalación de accesorios optativos internos. Las posibles alternativas de programación para los botones PF se ilustran a continuación, en tanto que las funciones correspondientes se describen en detalle en las páginas siguientes del manual.

Para mayor información sobre el tema, contáctese con el distribuidor VERTEX STANDARD de su localidad. Como referencia en el futuro, marque el cuadro frente a la función que le ha asignado a cada botón PF de su radio, y mantenga esta lista siempre a mano.

Funcione	Botón de PF			Funcione	Botón de PF		
	MON	A	▲		MON	A	▲
MONI				CALL 1 to Call 5			
Channel Up				HOME			
Channel Down				Horn Alert			
SCAN				Public Address			
DW (Dual Watch)				EXT. ACC1			
Follow-Me SCAN				EXT. ACC2			
Follow-Me DW				Direct CH#1			
LOW				Direct CH#2			
TA (Talk Around)				Direct CH#3			
Encryption Disable [✕]				Direct CH#4			
Emergency				REC/PLAY [✕]			
CALL/RESET							

✕: Requires optional unit

FUNCIONAMIENTO AVANZADO

Descripción de las Funciones del Transceptor

Monitoreo (MONI)

Oprima el botón programable asignado para cancelar el sistema de silenciamiento controlado por Tono o Código Digital; en tal caso, el indicador **BUSY/TX** se enciende de color verde. Oprima firmemente el referido botón durante 1,5 segundos cuando desee escuchar el ruido de fondo (o desenmudecer el audio); esto hará que el indicador **BUSY/TX** de color verde aparezca entonces en forma intermitente.

Selección Ascendente/Descendente de Canales (CHANNEL UP/DOWN)

Oprima el botón programable asignado (por lo general el [▼] o [▲]) para escoger un canal de tráfico distinto dentro del grupo en ese momento vigente.

Exploración de Canales (SCAN)

La función de Exploración se utiliza para vigilar múltiples canales programados en el transceptor. Durante el referido proceso, el radio analiza cada uno de esos canales en busca de actividad, y se detiene cuando detecta la presencia de una señal en cualquiera de ellos.

Para activar el circuito de barrido:

- Oprima el botón programable asignado a fin de hacer efectiva la actual función.
- El circuito de exploración comenzará a analizar los canales programados, en busca de los que están activos y hará una pausa cada vez que encuentre uno por donde se esté comunicando algún abonado.
- Finalmente, oprima el botón programable asignado una vez más para inhabilitar el circuito de barrido, en cuyo caso el radio restablecerá el canal de "inversión" programado para continuar funcionando.

Nota: Es posible que el distribuidor haya configurado su equipo para que permanezca en uno de los canales siguientes en caso de que presione el conmutador del **PTT** durante una pausa:

- Canal vigente ("Comunicación Directa")
- "Último Canal Ocupado"
- Canal "Prioritario"
- Canal de "Inicio"
- Canal de "Iniciación de Exploración"

FUNCIONAMIENTO AVANZADO

Doble Canal en Observación (DUAL WATCH “DW”)

La función de Doble Canal en Observación es similar a la EXPLORACIÓN, con la excepción de que en este caso sólo se vigilan dos canales:

- El canal de comunicación vigente; y
- El canal Prioritario.

Para activar la función de doble canal en observación:

- Oprime el botón programable asignado a la actual función.
- En ese instante, el circuito de barrido comenzará a explorar los dos canales, y hará una pausa cada vez que encuentre uno por donde se esté comunicando algún abonado.

Con el objeto de cancelar la función de doble canal en observación:

- Oprime el botón programable asignado a la actual función.
- El radio restablecerá el canal de “Iniciación del Sistema de Vigilancia Dual” para continuar funcionando.

Exploración con Seguimiento Automático de Canales (FOLLOW-ME SCAN)

La función de Exploración con “Seguimiento Automático” de Canales vigila regularmente un Canal Prioritario designado por el Usuario al mismo tiempo que explora el resto de los canales seleccionados. De esta forma, si sólo se destinan los canales 1, 3 y 5 (de los 8 disponibles) para la “exploración”, entonces el usuario podrá asignarle la función de Prioridad al Canal 2 mediante el modo de “Seguimiento Automático” del transceptor.

Con el objeto de activar la exploración con “Seguimiento Automático de Canales”, seleccione primero el canal al que desea asignarle la función de “Prioridad del Usuario” y luego accione la tecla programable asignada para este fin. Posteriormente, oprima el botón de selección Ascendente o Descendente de Canales (por lo general [▼] o [▲]) para recuperar el canal “Inicial de Exploración” que ha sido programado por el distribuidor para habilitar el circuito de barrido. Cuando el referido circuito se detiene ante un canal “Activo”, el Canal de Prioridad asignado por el Usuario comienza a ser analizado automáticamente después de unos segundos; si se encuentra actividad en el Canal de Prioridad asignado por el Usuario, el radio comenzará a alternar entre este último canal y el Prioritario definido por el Distribuidor, de haber programado alguno.

FUNCIONAMIENTO AVANZADO

Vigilancia Dual (DW) con Seguimiento Automático de Canales (FOLLOW-ME DUAL WATCH)

A fin de programar un par de frecuencias para “Vigilancia Dual” utilizando la función de “Seguimiento Automático”, debe escoger primero un canal con el botón de selección Ascendente o Descendente de Canales. A continuación, oprima la tecla programable asignada para este fin; al hacerlo, el canal vigente quedará programado como el Canal de Prioridad designado por el Usuario. Pulse una vez más el botón de selección Ascendente o Descendente de Canales para escoger un canal diferente (con excepción del “Inicial de Exploración”), en cuyo caso el radio comenzará a alternar entre el canal que acaba de seleccionar y el Canal Prioritario designado por el usuario.

Es posible configurar durante el proceso de exploración con “Seguimiento Automático” (después de haber oprimido la tecla respectiva) la función de “Doble Canal en Observación” si pulsa el botón de selección Ascendente o Descendente y escoge un canal distinto. A partir de ese momento, el radio comenzará a explorar alternando entre el canal que acaba de seleccionar y el de Prioridad designado por el Usuario.

El Canal Prioritario que ha designado (antes de oprimir la tecla) quedará retenido en la memoria hasta que usted vuelva a cambiarlo.

Potencia Reducida (LOW)

Presione la tecla programable asignada para colocar el transmisor del radio en el modo de “Baja Potencia” y de esta forma prolongar la vida útil de la batería. Oprima una vez más la referida tecla para restituir la regulación de “Alta Potencia” dado el caso de que las condiciones del terreno sean poco favorables.

Comunicación Directa (TALK AROUND “TA”)

Presione la tecla programable asignada a fin de habilitar el modo de Comunicación Directa cuando transmita por sistemas de canales dúplex (aquéllos que poseen frecuencias de transmisión y recepción independientes y que utilizan una estación “repetidora”). Esta función le permite al usuario sobrepasar la repetidora y comunicarse en forma directa con una estación cercana. El modo de Comunicación Directa, sin embargo, no ejerce ninguna influencia cuando se opera en base a canales “simplex”, en donde las frecuencias de transmisión y recepción son exactamente las mismas.

Cabe hacer notar que el distribuidor pudo haber dispuesto canales de “Comunicación Directa” al programar frecuencias para el “repetidor” y el referido modo de comunicación en dos canales adyacentes. De ser así, usted podrá utilizar este control para gobernar otra de las funciones predeterminadas del transceptor.

FUNCIONAMIENTO AVANZADO

Desconexión de la Unidad Criptográfica (ENCRYPTION DISABLE: Optativa)

Cuando el Codificador de Voz ha sido habilitado, presione el botón programable asignado para activar y desactivar la unidad criptográfica en el radio.

Emergencia (EMERGENCY)

El **VX-4100** incluye una función de “Emergencia” que puede ser muy útil si usted tiene a alguien más escuchando por la misma frecuencia que el canal de su tranceptor.

Oprima el botón programable asignado con el objeto de iniciar una llamada de emergencia. Para mayores detalles sobre el tema, contáctese con el representante VERTEX STANDARD de su localidad.

LLAMADA/REPOSICIÓN (CALL/RESET)

Esta función, de haber sido habilitada, le permite al usuario cambiar el código de tres dígitos para Aviso de Llamada, el cual se utiliza para comunicarse con otras estaciones equipadas con sistemas de este tipo. Oprima la tecla programable asignada, seguida de los tres dígitos que representan el código para Aviso de Llamada de la estación con la cual desea establecer contacto. El tranceptor emite tres tonos después de que se oprime la última tecla (haciendo que se envíe de inmediato el último código seleccionado).

El circuito de silenciamiento del receptor de la otra estación se abre, en cuyo caso el operador podrá iniciar sus emisiones.

Llamada 1 a Llamada 5 (CALL 1 TO CALL 5)

Oprima la tecla programable asignada con el objeto de enviar una ráfaga secuencial de 5 tonos que se define con antelación en el tranceptor.

Canal de Inicio (HOME)

Oprima el botón programable asignado a esta función para recuperar el canal o grupo de Inicio que se define con antelación en el tranceptor.

Alerta de Bocina (HORN ALERT)

Oprima el botón programable asignado a esta función para “habilitar” e “inhabilitar” la Alerta de Bocina en el radio. Si usted recibe una llamada proveniente de una estación base con un código de señalización de dos tonos, cinco tonos o DTMF, se activará automáticamente dicha señal de alerta con la subsecuente activación de la bocina de su automóvil.

FUNCIONAMIENTO AVANZADO

Difusión por Altavoces (PUBLIC ADDRESS)

Oprima el botón programable asignado para utilizar el transceptor como un amplificador megafónico. Cuando se habilita esta función, el radio emite un sonido e inmediatamente después. El Sistema de Difusión por Altavoces se puede emplear incluso mientras se explora y se está recibiendo una comunicación.

ACCESORIO EXTERNO 1 (EXT. ACC 1)

Oprima el botón programable asignado para activar y desactivar el puerto de salida “1” en el transceptor.

ACCESORIO EXTERNO 2 (EXT. ACC 2)

Oprima el botón programable asignado para activar y desactivar el puerto de salida “2” en el transceptor.

Acceso Directo Canal #1 al #4 (DIRECT CH#1 TO DIRECT CH#4)

Oprima el botón programable asignado a fin de recuperar un canal configurado por el Distribuidor en forma directa.

GRABAR/TOCAR (REC/PLAY “Unidad de Registro de la Voz: Optativa”)

Esta función, la cual estipula el uso de la Unidad optativa de Registro de la Voz, le permite grabar y reproducir el audio del receptor de entrada.

Registro:

Oprima durante más de 1,5 segundos la tecla programable ”Rec/Play” asignada con el objeto de “habilitar” e “inhabilitar” el registrador de voz. Si la señal entrante se escucha a través del parlante cuando se encuentra “habilitado” el registrador de voz, significa que el audio que se reciba quedará almacenado en el radio. Los últimos dos minutos de grabación se registran en el orden en que los recibe el aparato.

Reproducción:

Oprima momentáneamente la tecla programable “Rec/Play” asignada con el objeto de comenzar a escuchar el mensaje almacenado. Si acciona la tecla [▲] mientras lo escucha, hará avanzar 8 segundos la grabación. Oprima la tecla [A] si desea desconectar la unidad antes de terminar de escuchar el mensaje.

Min. Regulación de Nivel de AF (AF MIN VR)

Oprima la tecla programable asignada para reducir la salida de audio al nivel (más bajo) programado por el Distribuidor de su localidad.

FUNCIONAMIENTO AVANZADO

Recepción por la Subbanda (Optativa)

Esta función se puede utilizar solamente en aquellos radios en donde la Unidad de Recepción optativa para la Subbanda ha sido instalada. Cuando se instala este módulo alternativo en el aparato, usted podrá recibir por una banda distinta a la que normalmente utiliza el transceptor (por ejemplo, en un radio VHF, este módulo hace posible la recepción por UHF y viceversa).

ARTS (SISTEMA DE TRANSPONDEDOR CON VERIFICACIÓN DE DISTANCIA AUTOMÁTICA)

Este sistema ha sido proyectado para informarle a usted en qué momento su propia estación - junto con la estación de otro abonado, también equipada con este tipo de sistema - se encuentran a una distancia adecuada para comunicarse.

Cuando el transpondedor se encuentra habilitado y el radio recibe una señal de llegada ARTS, éste emitirá un tono breve haciendo que "In" ("En Servicio") aparezca exhibido en el visualizador de cristal líquido secundario. Si usted se aleja del radio de alcance por más de dos minutos, su transceptor al advertir que no existe ninguna señal presente emitirá un sonido breve de tres tonos en tanto que el mensaje "Out" ("Fuera de Servicio") aparecerá en lugar del anterior en el visualizador de cristal líquido secundario. Si más adelante usted vuelve a situarse dentro del radio de alcance, en cuanto la estación remota comience a transmitir, su radio generará otro sonido, haciendo que "In" aparezca nuevamente iluminado en el visualizador secundario del equipo.

Sistema de Aviso de Llamada DTMF

Este sistema le permite realizar llamadas de localización de personas y selectivas con secuencias de tonos DTMF.

Cuando su radio recibe un aviso proveniente de una estación que contiene una secuencia de tonos similar a la suya, el circuito de silenciamiento de su radio se abre y la campanilla de alerta se activa. El código de tres dígitos de la estación que generó el aviso de llamada aparecerá entonces indicado en la pantalla de cristal líquido de su radio.

ACCESORIOS OPTATIVOS

FVP-25	Unidad Criptográfica y de Aviso de Llamada DTMF
FVP-35	Unidad Criptográfica
DVS-5	Unidad de Registro de la Voz
VTP-50	Unidad de Troncalización VX
FP-1023	Fuente de Alimentación Externa
MLS-100	Parlante Portátil (Potencia Máxima de 12 W)
LF-1	Filtro de Línea
MH-700D	Micrófono con luz de fondo DTMF
MH-25A8J	Micrófono
MD-12A8J	Micrófono de Mesa
VPL-1	Kit de Programación
	Unidad de Recepción para la Subbanda

La posibilidad de conseguir estos accesorios puede variar de un lugar a otro: mientras que algunos se suministran como de uso corriente conforme a las regulaciones propias del país a donde se exporta la unidad, puede que otros no se puedan adquirir en determinadas regiones.

Comuníquese con el representante VERTEX STANDARD de su localidad para ver las modificaciones realizadas a esta lista.



Copyright 2012
Vertex Standard LMR, Inc.
All rights reserved.

Printed in China

No portion of this manual
may be reproduced
without the permission of
Vertex Standard LMR, Inc.

