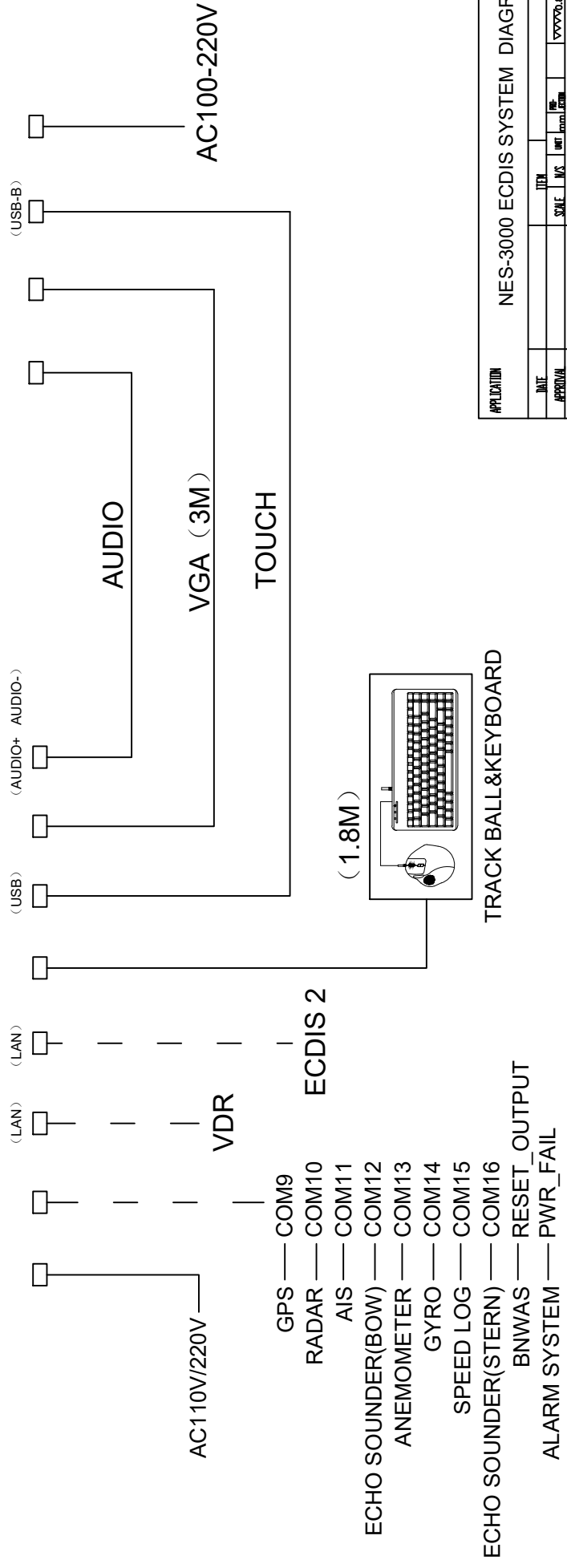
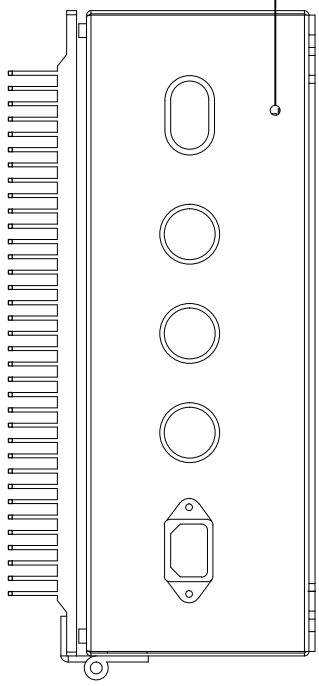
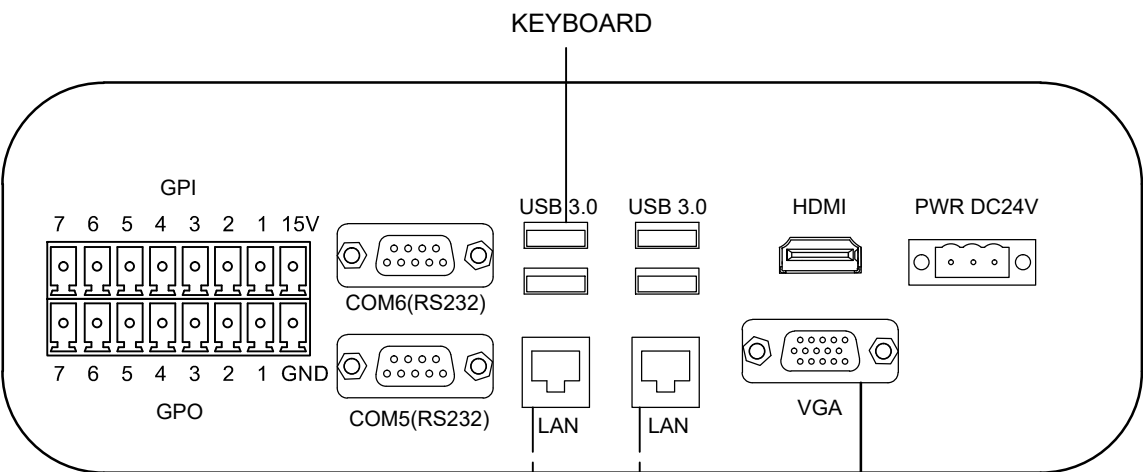
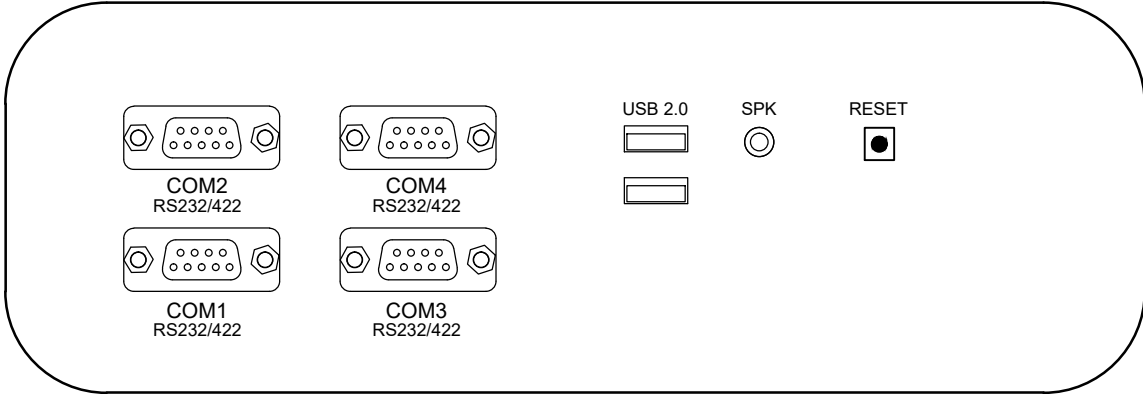


NO.	DATE	REVISION & DESCRIPTION	REVIEWED	CHECKED
△				SIGNATURE

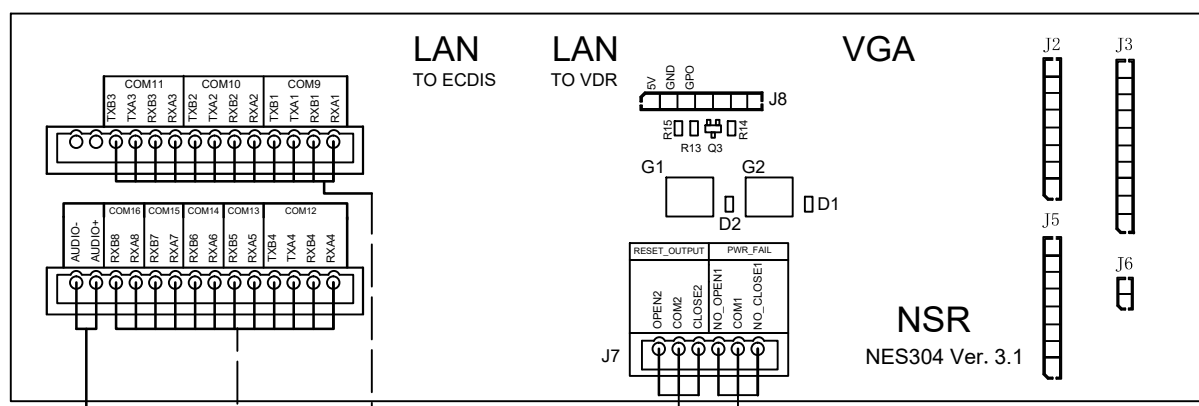


APPLICATION					NES-3000 ECDIS SYSTEM DIAGRAM				
DATE	SCALE	UNIT	ITEM	NO.	DATE	SCALE	UNIT	ITEM	NO.
APPROVAL	CHECKED	DRAWING	DATE	NO.	APPROVAL	CHECKED	DRAWING	DATE	NO.
NSR					NEW SUNRISE CO., LTD.				
NES3000-ID-001									

NO.	DATE	REVISION & DESCRIPTION	CHECKED SIGNATURE



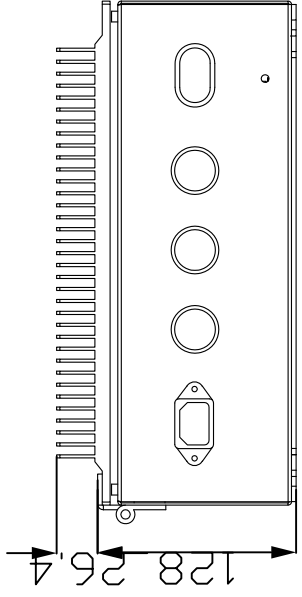
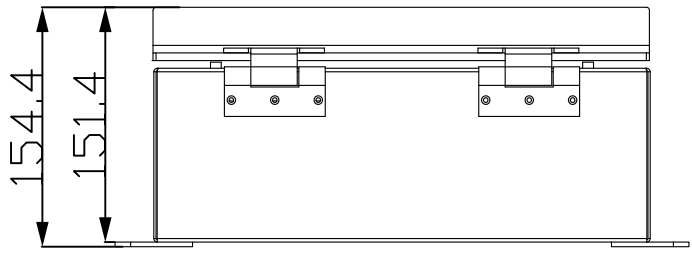
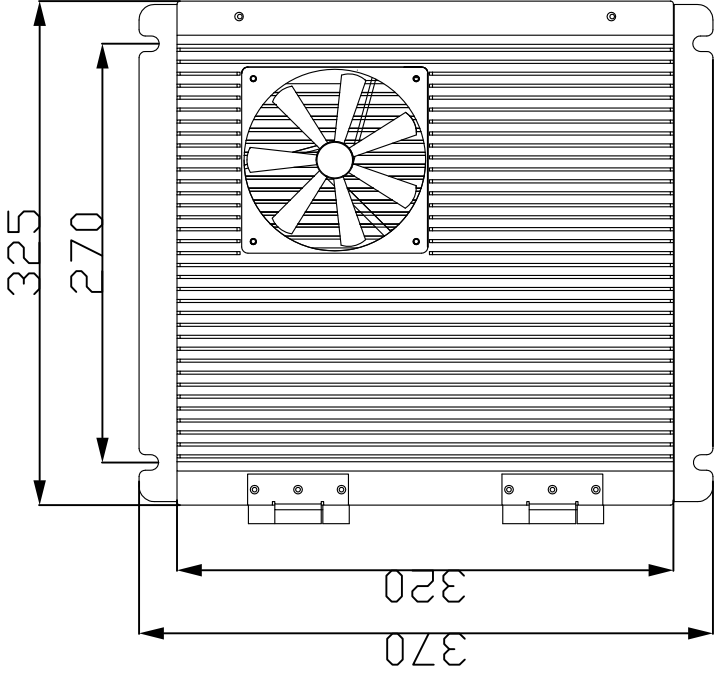
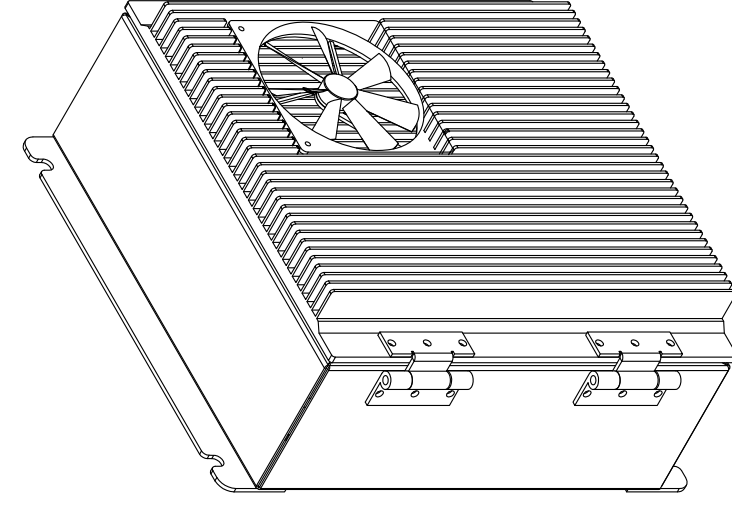
VDR ECDIS 2 DISPLAY UNIT



- COM9 — GPS
 - COM10 — RADAR
 - COM11 — AIS
 - COM12 — ECHO SOUNDER(BOW)
 - COM13 — ANEMOMETER
 - COM14 — GYRO
 - COM15 — SPEED LOG
 - COM16 — ECHO SOUNDER(STERN)
- ALARM SYSTEM
BNWAS
- DISPLAY UNIT

APPLICATION		NES-3000 MAIN BOARD LAYOUT	
DATE	ITEM	SCALE	SIZE
APPROVAL	DATE	UNIT	MM
CHECKED	DATE	UNIT	MM
DRAWING	DATE	UNIT	MM
DATE	UNIT	MM	MM
NEW SUNRISE CO., LTD.			
NES3000-ID-002			

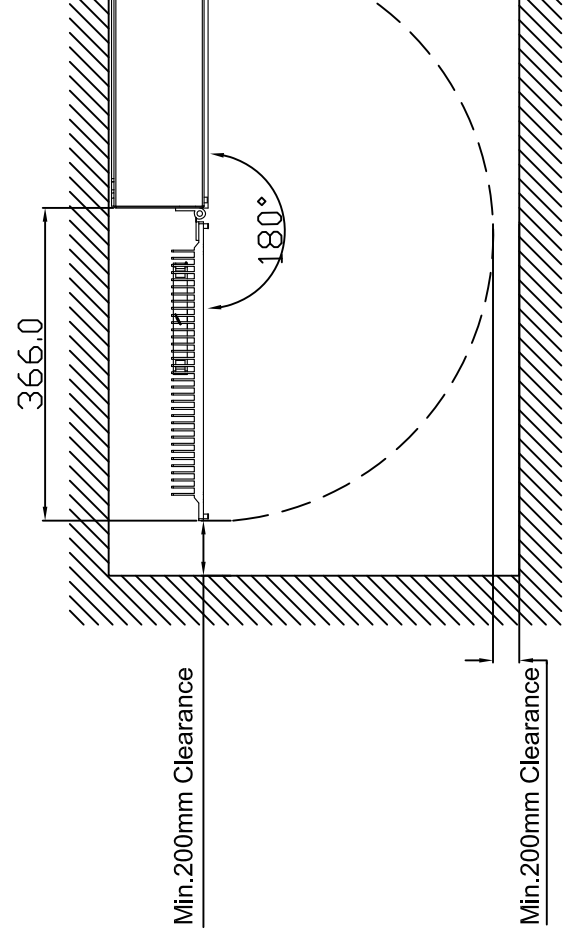
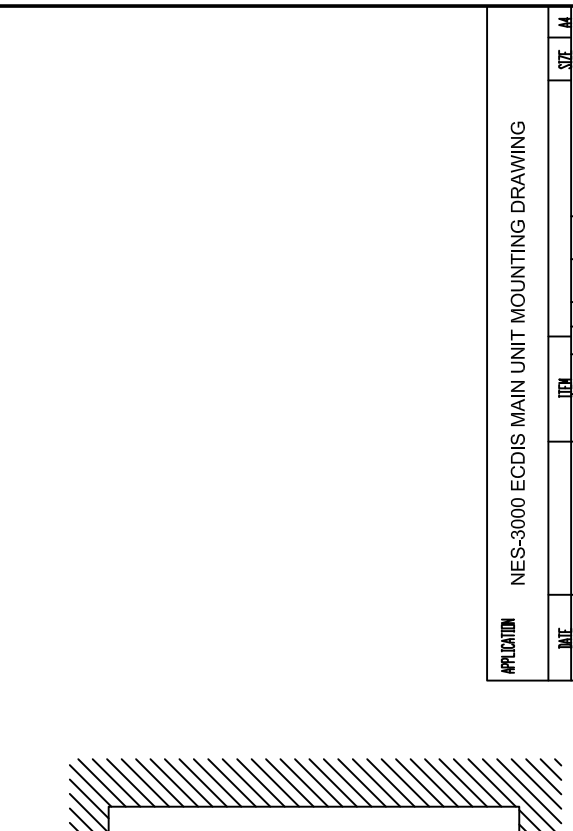
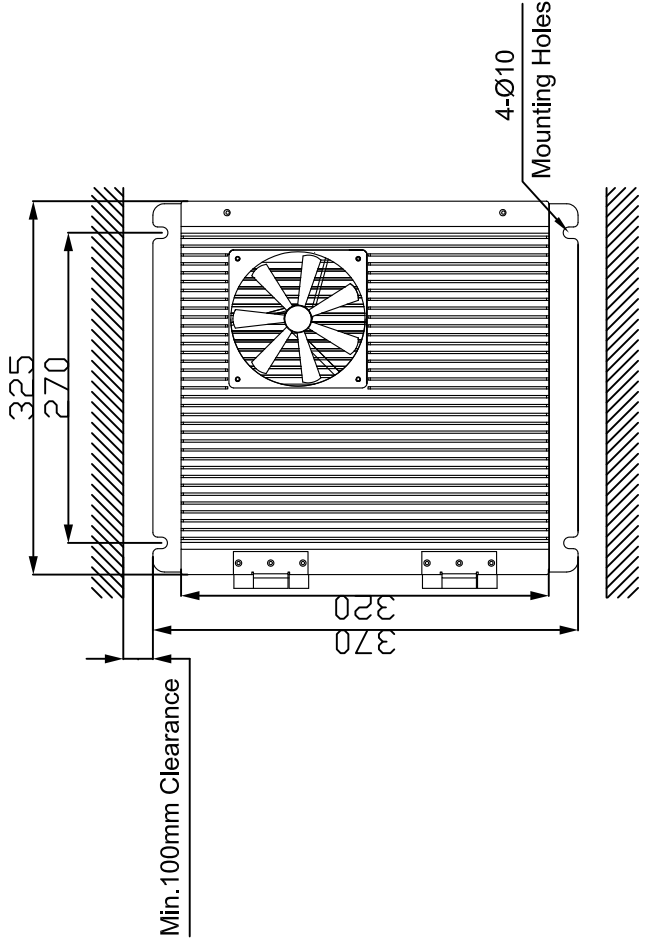
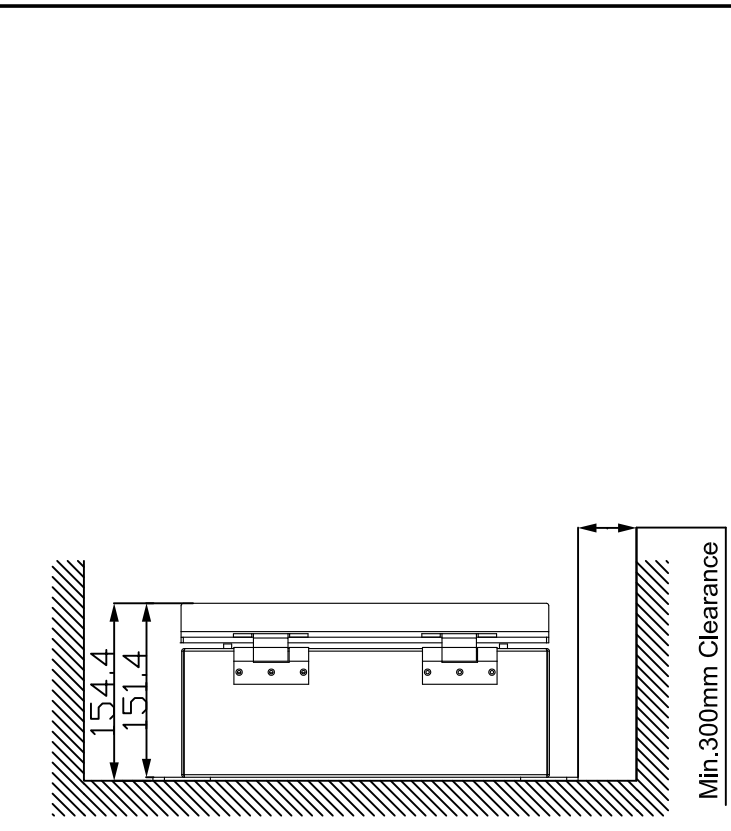
NO.	DATE	REVISION & DESCRIPTION	REVIEWED	CHECKED
△				SIGNATURE



APPLICATION		NES-3000 ECDIS MAIN UNIT SIZE DRAWING			
UNIT	ITEM	SCALE	DATE	REV.	DATE
APPROVAL	DATE	1:1	06/06/2006	01	06/06/2006
CHECKED	DATE				
DRAWING	DATE				
NO.	DATE				
DRAWING NO.		NES3000-ID-003			

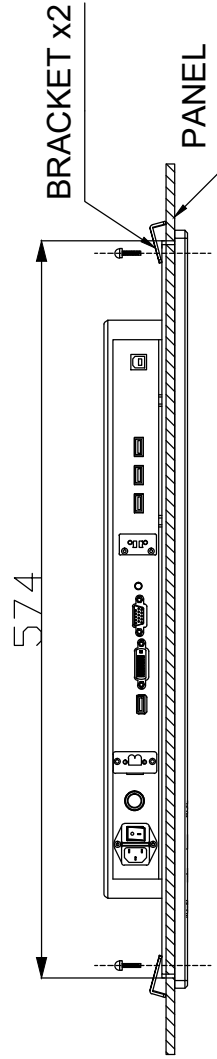
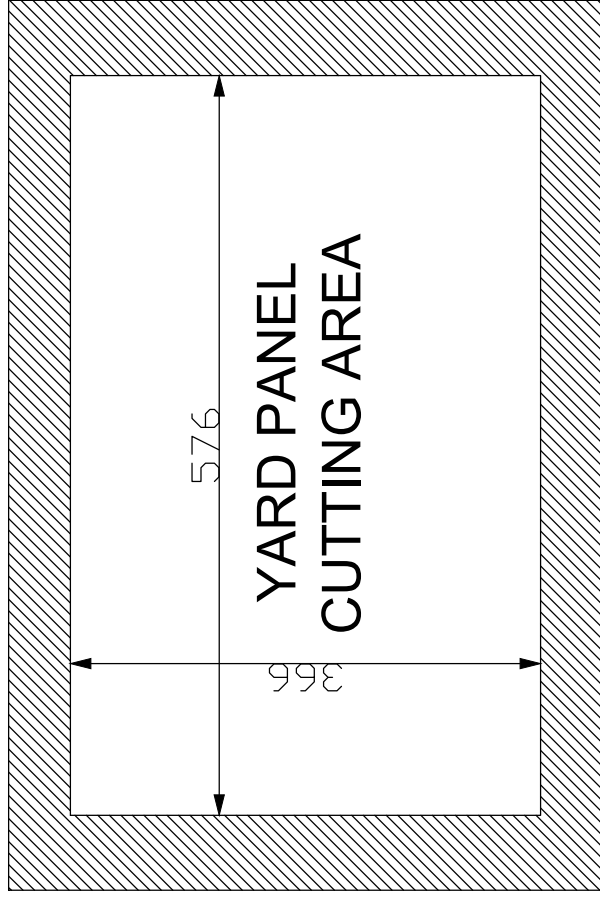
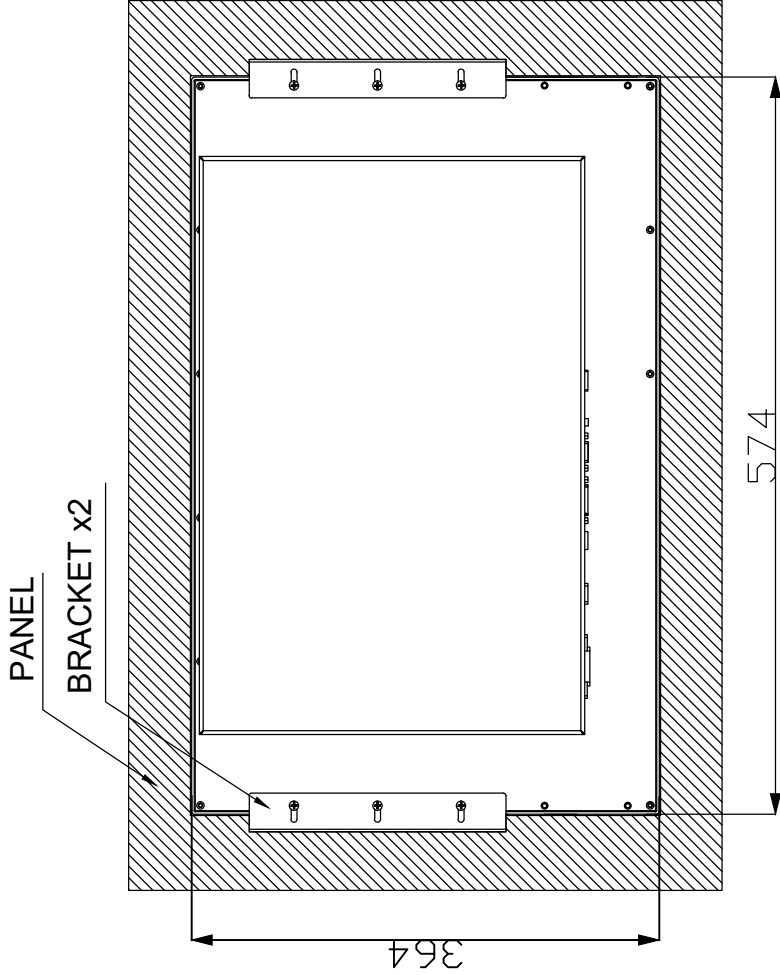
N S R
NEW SUNRISE CO., LTD.

NO.	DATE	REVISION & DESCRIPTION	REVIEWED	CHECKED
△				SIGNATURE




APPLICATION		NES-3000 ECDIS MAIN UNIT MOUNTING DRAWING	
DATE	SCALE	ITEM	REV.
APPROVAL	CHECKED	DRAWING	INC. NO.
N S R		NEW SUNRISE CO., LTD.	
m a s i n g		m a s i n g	
NES3000-ID-004		V0000.05 V0006.35 V0025 V0005	

TOUCH DISPLAY 24'

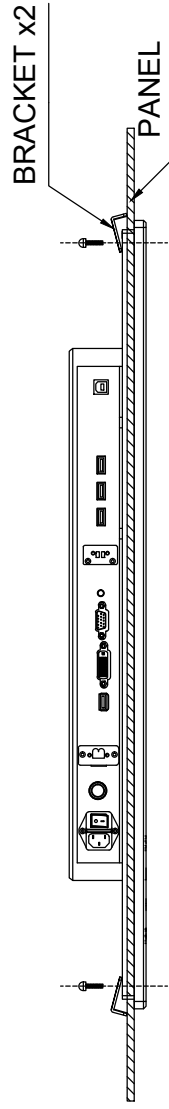
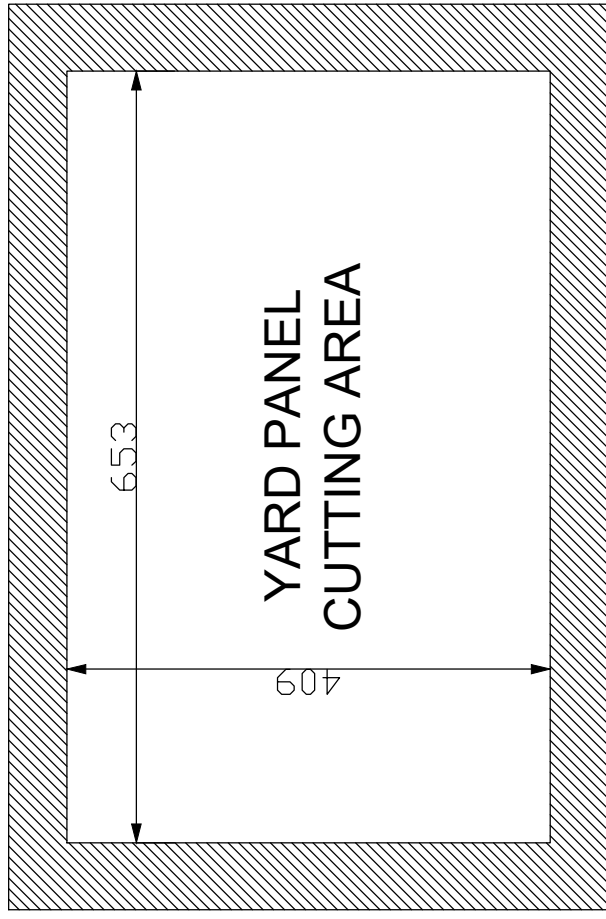
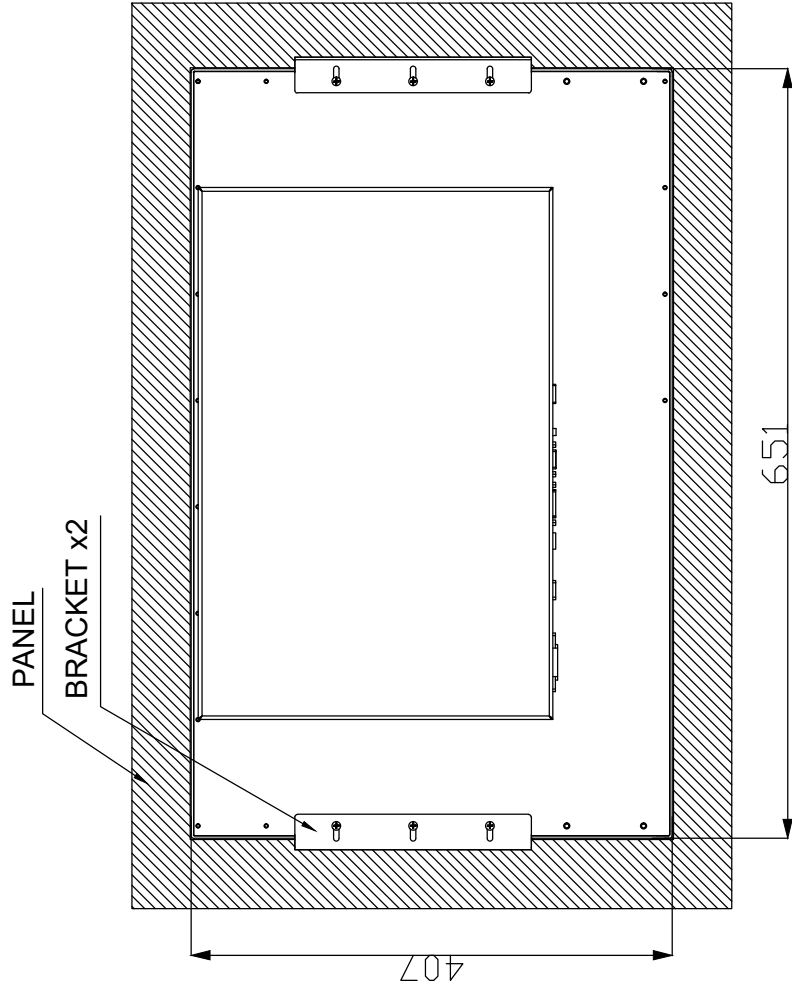


NOTE: FLUSH TYPE

NO.	DATE	REVISION & DESCRIPTION	REVIEWED	CHECKED
1				

APPLICATION		ECDIS TOUCH DISPLAY UNIT MOUNTING DRAWING (24')			
DATE	ITEM	SCALE	UNIT	UNIT	UNIT
APPROVAL	SCALE	UNIT	UNIT	UNIT	UNIT
CHECKED	UNIT	UNIT	UNIT	UNIT	UNIT
DRAWING	UNIT	UNIT	UNIT	UNIT	UNIT
DATE	UNIT	UNIT	UNIT	UNIT	UNIT
NES3000-ID-008					
 NEW SUNRISE CO., LTD.					

TOUCH DISPLAY 26"

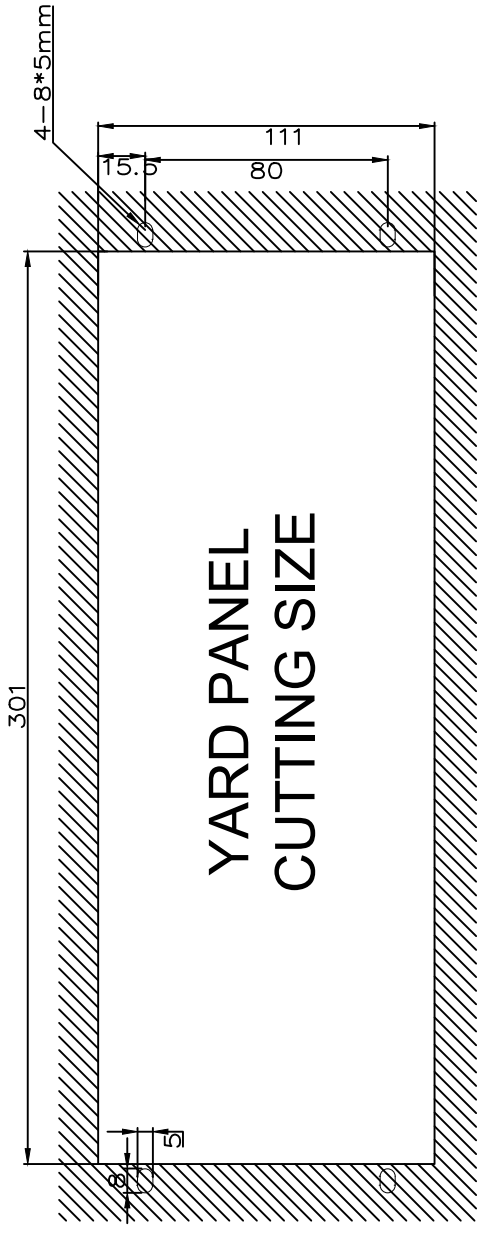


NO.	DATE	REVISION & DESCRIPTION	REVIEWED	CHECKED
1				

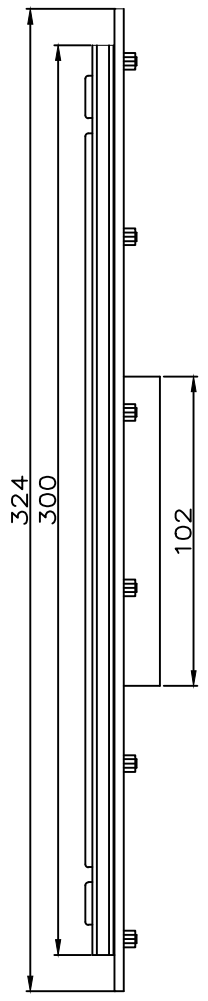
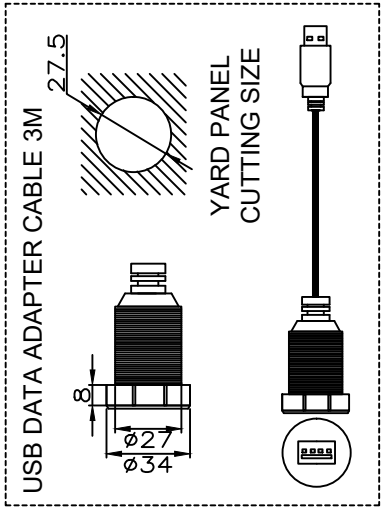
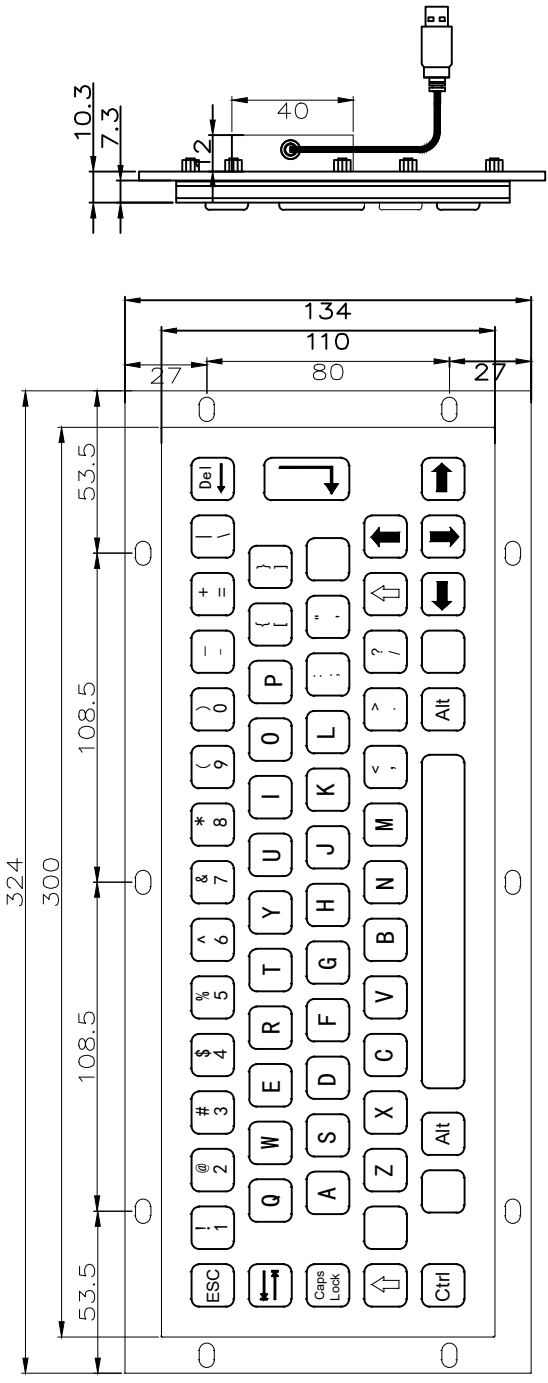
APPLICATION										ECCDIS TOUCH DISPLAY UNIT MOUNTING DRAWING (26")									
DATE	ITEM	SCALE	MAX	UNIT	UNIT	UNIT	UNIT	UNIT	UNIT	UNIT	UNIT	UNIT	UNIT	UNIT	UNIT	UNIT	UNIT	UNIT	UNIT
APPROVAL	CHECKED	DRAWING	DATE	UNIT	UNIT	UNIT	UNIT	UNIT	UNIT	UNIT	UNIT	UNIT	UNIT	UNIT	UNIT	UNIT	UNIT	UNIT	UNIT
NES3000-ID-010										NEW SUNRISE CO., LTD.									

NOTE: FLUSH TYPE

NO.	DATE	REVISION & DESCRIPTION	CHECKED SIGNATURE
△			



**YARD PANEL
CUTTING SIZE**



NOTE: OPTION

APPLICATION		NES-3000 ECDIS METAL KEYBOARD SIZE DRAWING	
DATE	ITEM	SCALE	SIZE
APPROVAL	DATE	UNIT	UNIT
CHECKED	DATE	UNIT	UNIT
DRAWING	DATE	UNIT	UNIT
DATE	DATE	UNIT	UNIT
NES3000-ID-012		NEW SUNRISE CO., LTD.	