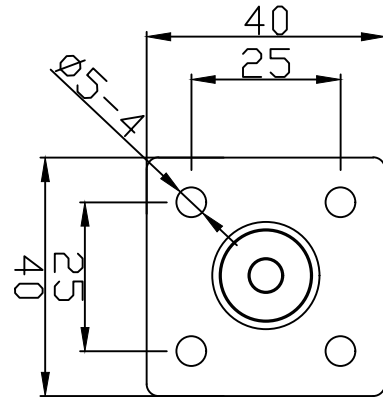
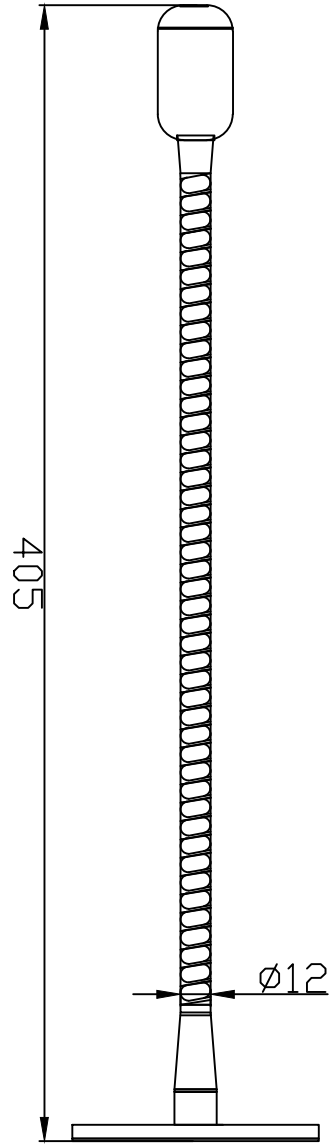
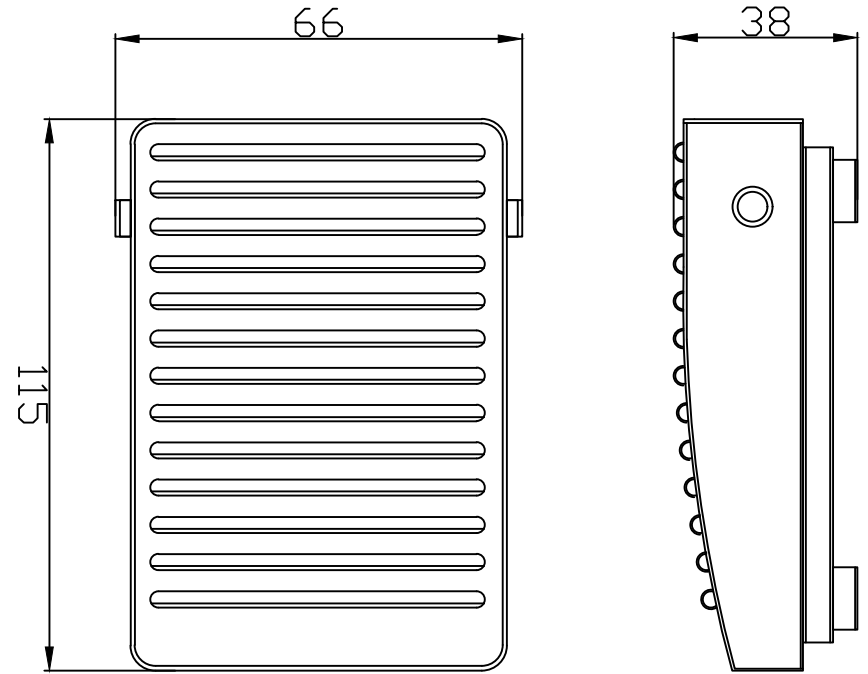



NO.	DATE	REVISION & DESCRIPTION	REVIEWED SIGNATURE	CHECKED SIGNATURE
△				

NHS-206M GOOSENECK MIC



NHS-206P FOOT SWITCH PTT



APPLICATION		NHS-206M & NHS-206P SIZE DRAWING				SIZE	A4
DATE		ITEM		SCALE	N/S	UNIT	mm
APPROVAL		PRO-SECTION		vvvv0.8s	vvv6.3s	vv12s	vv18s
CHECKED				NEW SUNRISE CO., LTD.			
DRAWING							
DWG. NO.	NVR3000-ID-037						