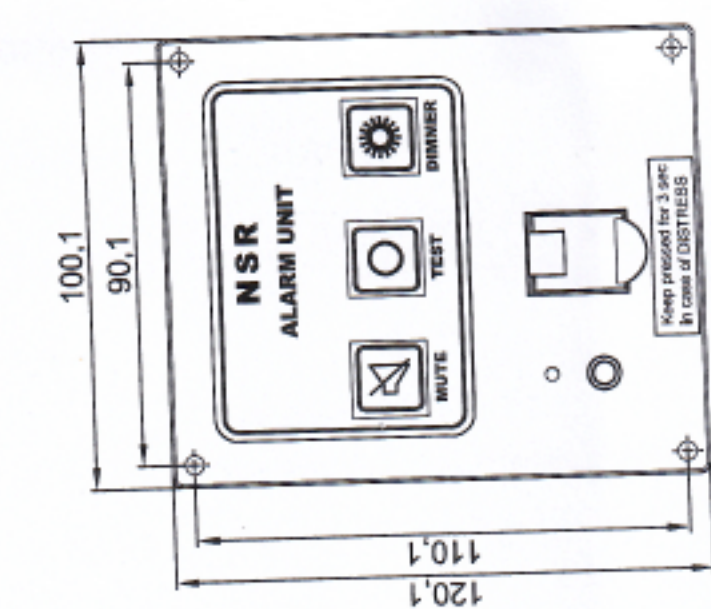
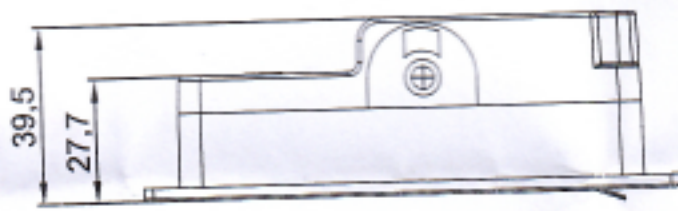


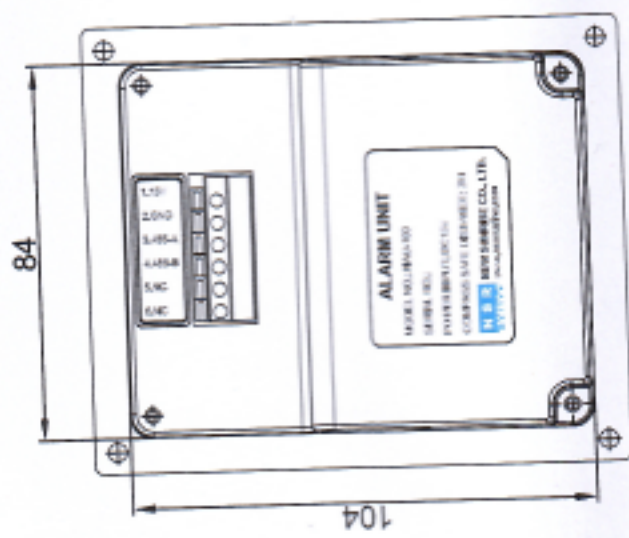
REV.	DATE	REVISION & DESCRIPTION	DESIGNED	CHECKED



FRONT VIEW



SIDE VIEW



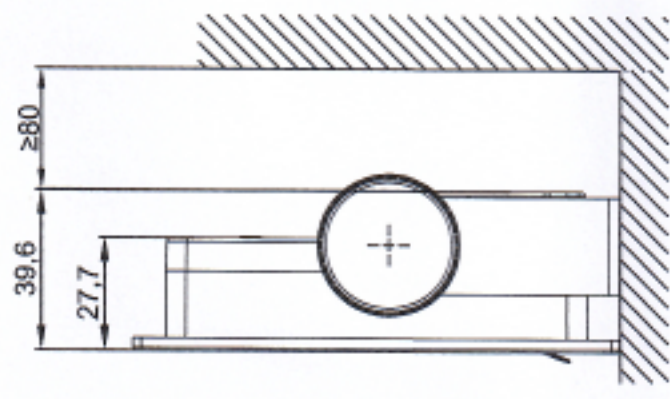
REAR VIEW



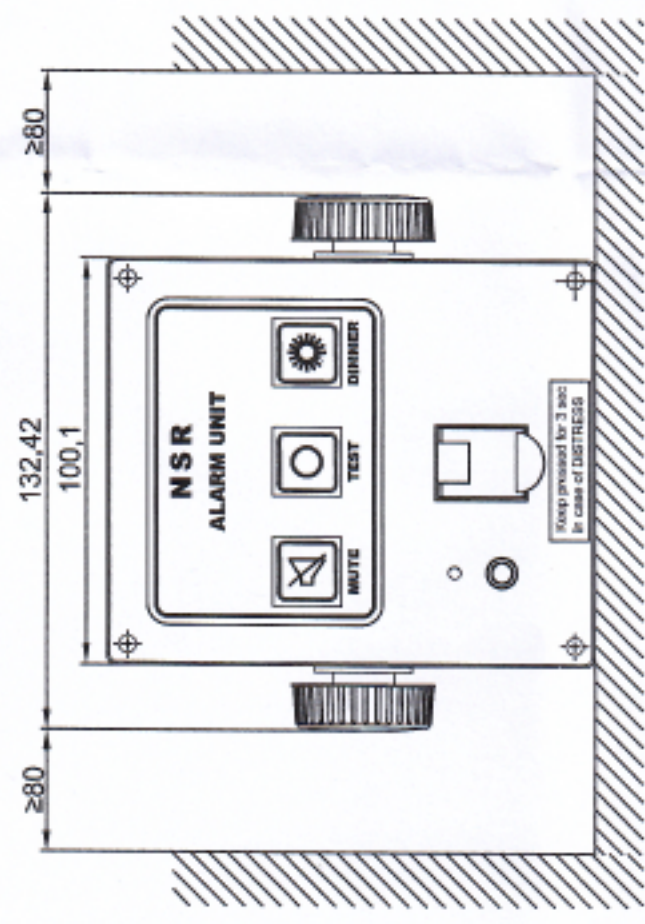
BOTTOM VIEW

PROJECT		NAU-100 Alarm Unit Size Drawing	
DATE	BY	CHECKED	DATE
		NEW SUNRISE CO., LTD.	
SCALE			

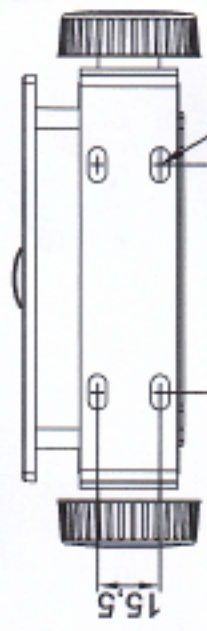
NO.	DATE	REVISION & DESCRIPTION	APPROVED	DRAWN



SIDE VIEW



FRONT VIEW



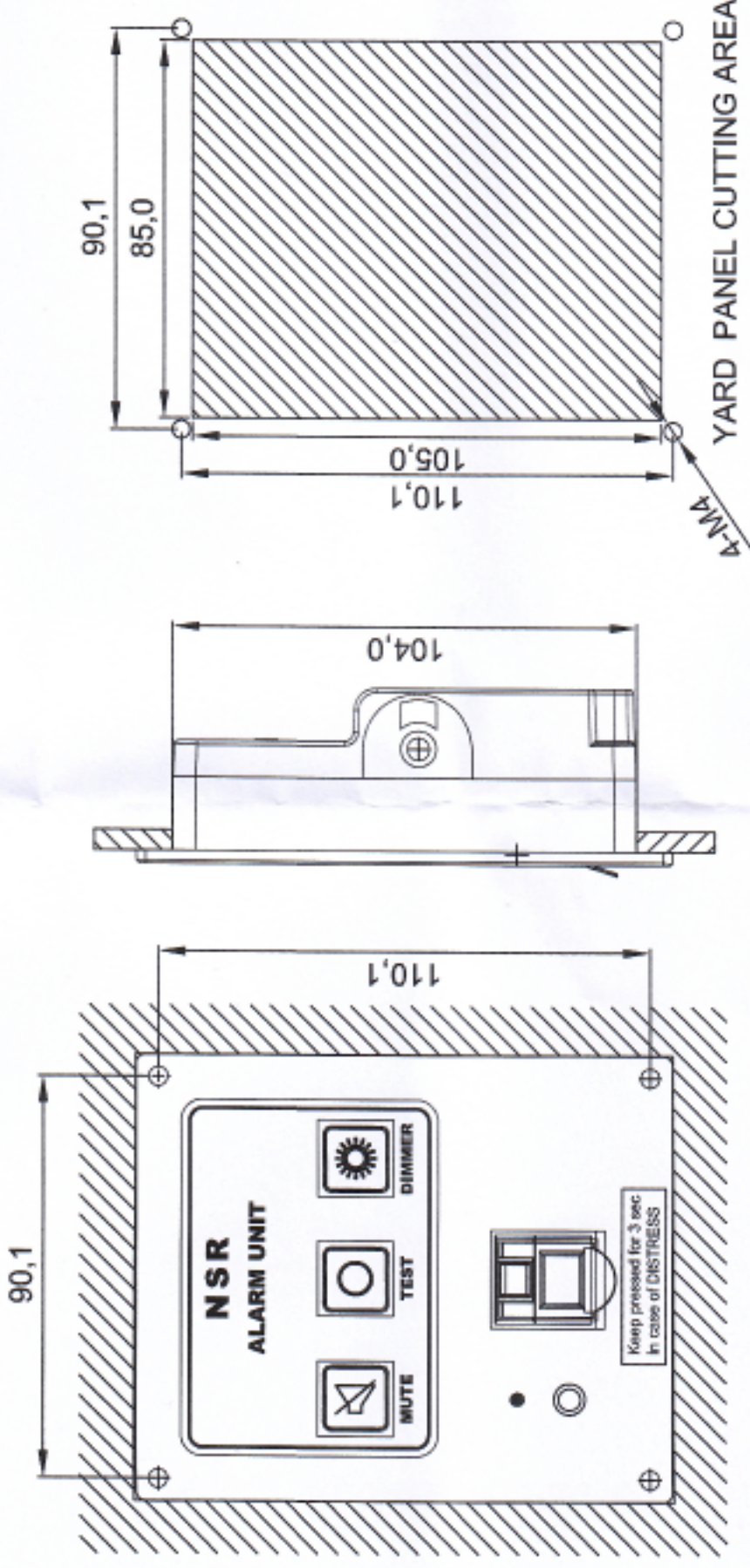
BOTTOM VIEW

4-4.5x8.5 SLOT, FITTING HOLE

PUNDED		NALU-100 Alarm Unit Mounting Drawing (Table Type)	
NO.	DATE	REVISION & DESCRIPTION	APPROVED



NO.	DATE	REVISION & DESCRIPTION	BY	CHECKED



DRAWING		NAU-100 Alarm Unit Mounting Drawing (Flush Type)	
NO.	DATE	BY	CHECKED
NSR		NEW SUNRISE CO., LTD.	