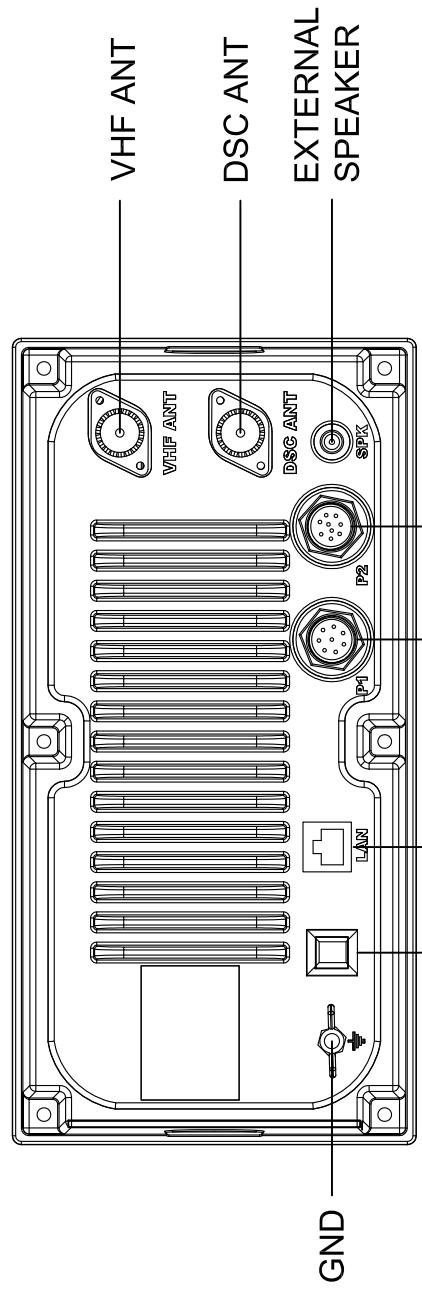




NO.	DATE	REVISION & DESCRIPTION	CHECKED	SIGNATURE
△				



- P2
1. OUT 15V
  2. OUT 0V
  3. TXA(485A)
  4. TXB(485B)
  5. RXB
  6. RXA
  7. VDR AUDIO+
  8. VDR AUDIO-

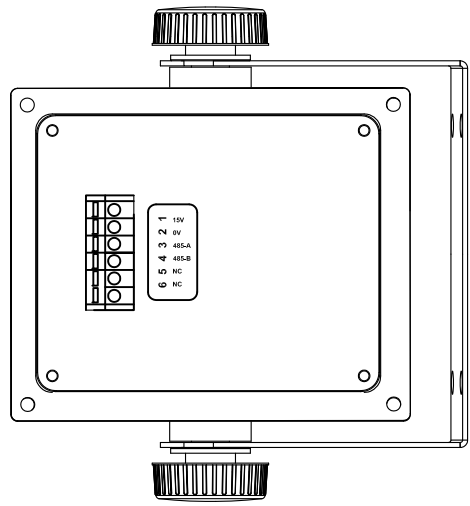
- P1
1. BAM/INS\_TXA
  2. BAM/INS\_TXB
  3. BAM/INS\_RXB
  4. BAM/INS\_RXA
  5. GNSS\_RXB
  6. GNSS\_RXA
  7. PRINTER+
  8. NC
  9. PRINTER-

POWER LAN

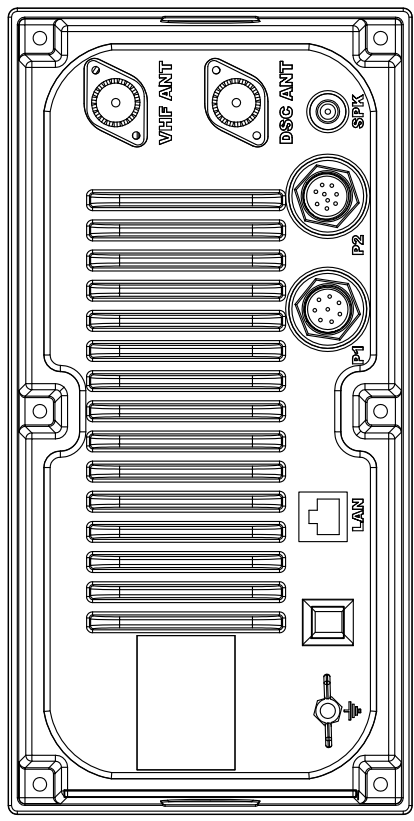
APPLICATION		NVR-3000 PORT DEFINITION DIAGRAM	
DATE	ITEM	SCALE	SIZE
APPROVAL	SCALE	IN/S	MM
CHECKED	DATE	PROJ. NO.	REV. NO.
DRAWING	DATE	DESIGNER	DATE
IMG. NO.	NVR3000-ID-002	 <b>NEW SUNRISE CO., LTD.</b>	

NO.	DATE	REVISION & DESCRIPTION	CHECKED	SIGNATURE
△				

# NAU-100 ALARM UNIT



# NVR-3000



## P2

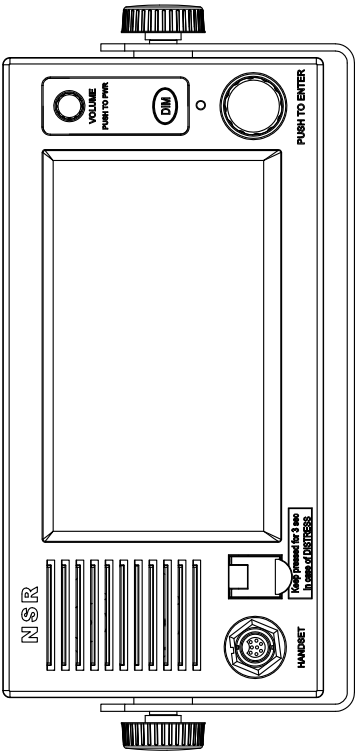
OUT 15V
OUT 0V
TXA(485A)
TXB(485B)

15V
0V
RXA
RXB

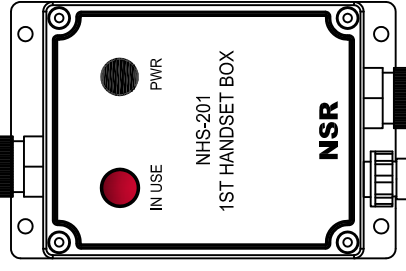
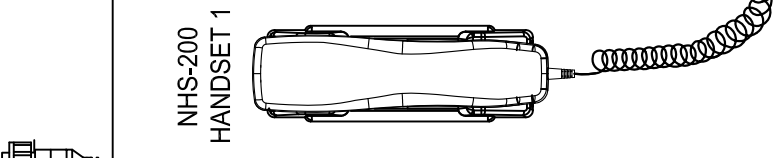
APPLICATION				WIRING DIAGRAM FOR ALARM UNIT			
DATE	ITEM	SCALE	UNIT	PRO. SECTION	SIZE	LA4	
APPROVAL							
CHECKED							
DRAWING							
IMG. NO.	NVR3000-ID-003			NEW SUNRISE CO., LTD.			

A B C D E F G H I 1 2 3 4 5 6

NO.		DATE		REVISION & DESCRIPTION		REVIEWED SIGNATURE		CHECKED	
A		B		C		D		E	



- 1.GND
- 2.PTT
- 3.MIC
- 4.GND
- 5.SPK
- 6.HOOK
- 7.15V
- 8.GND

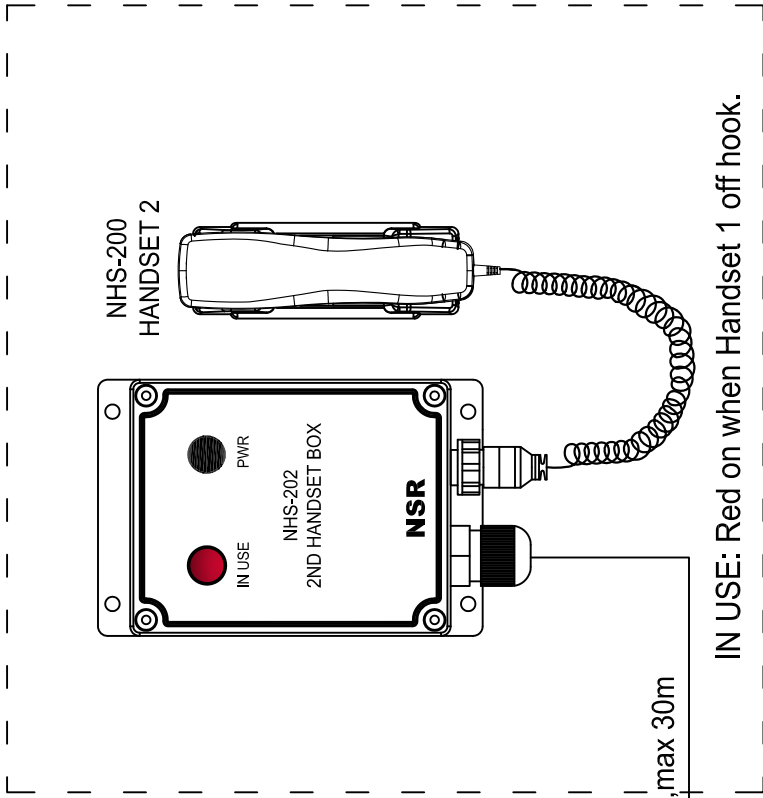


8-wire cable,max 30m

IN USE: Red on when Handset 1 or Handset 2 off hook.

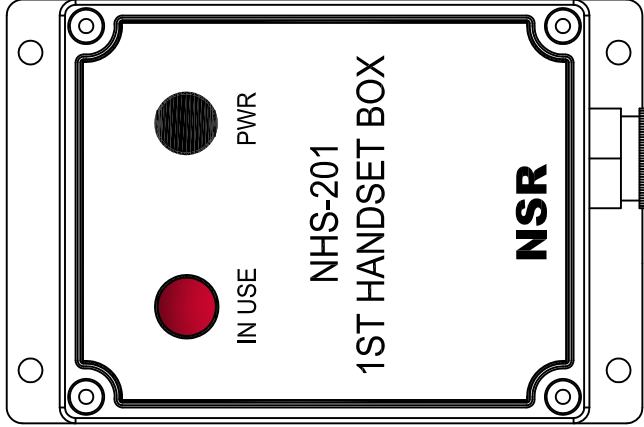
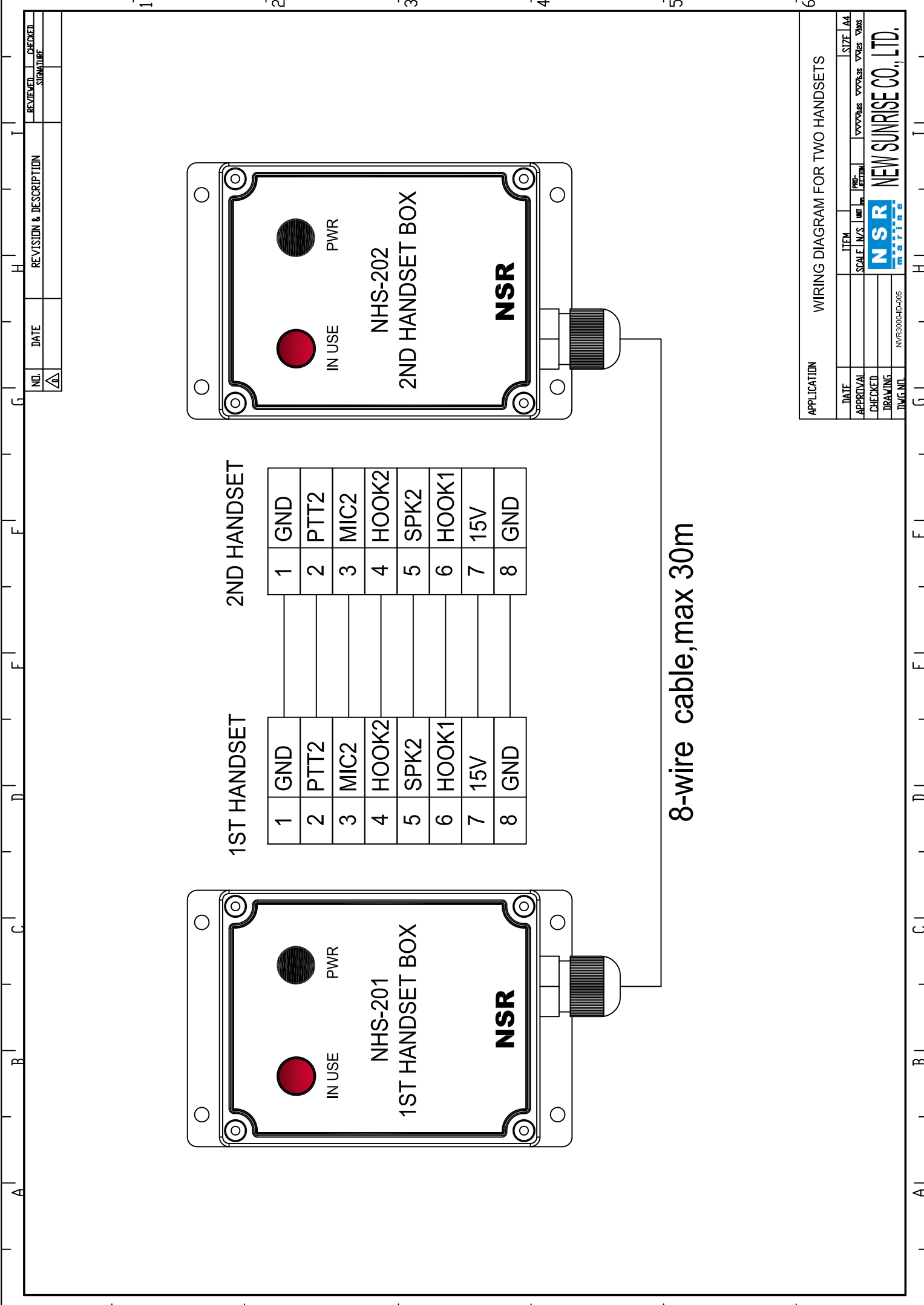
**IMPORTANT!**

When Handset 1 off hook, Handset 2 will be disabled.  
When Handset 2 off hook, Handset 1 off hook can still disable Handset 2.



IN USE: Red on when Handset 1 off hook.

APPLICATION SYSTEM DIAGRAM FOR TWO HANDSETS											
DATE	ITEM	SCALE	IN/S	UNIT	PROJ.	SECTION	NO.	SIZE	A4		
APPROVAL	CHECKED	DRAWING	IMG. NO.	NVR3000-DC-004						SIZE	A4
 <b>NSR</b> NEW SUNRISE CO., LTD.											

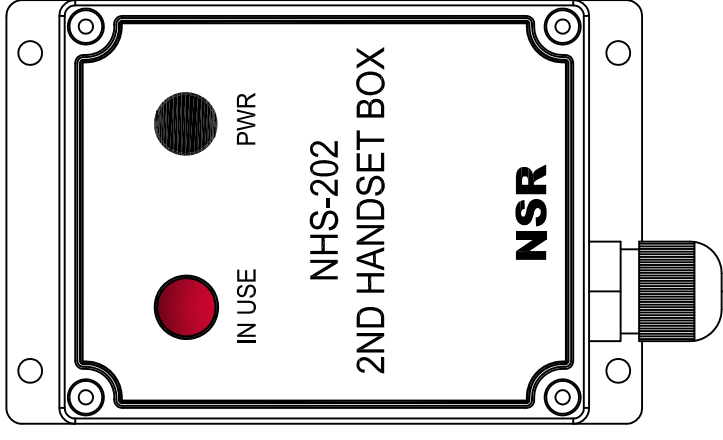


1ST HANDSET

1	GND
2	PTT2
3	MIC2
4	HOOK2
5	SPK2
6	HOOK1
7	15V
8	GND

2ND HANDSET

1	GND
2	PTT2
3	MIC2
4	HOOK2
5	SPK2
6	HOOK1
7	15V
8	GND



8-wire cable, max 30m

NO.	DATE	REVISION & DESCRIPTION	CHECKED
△			SIGNATURE

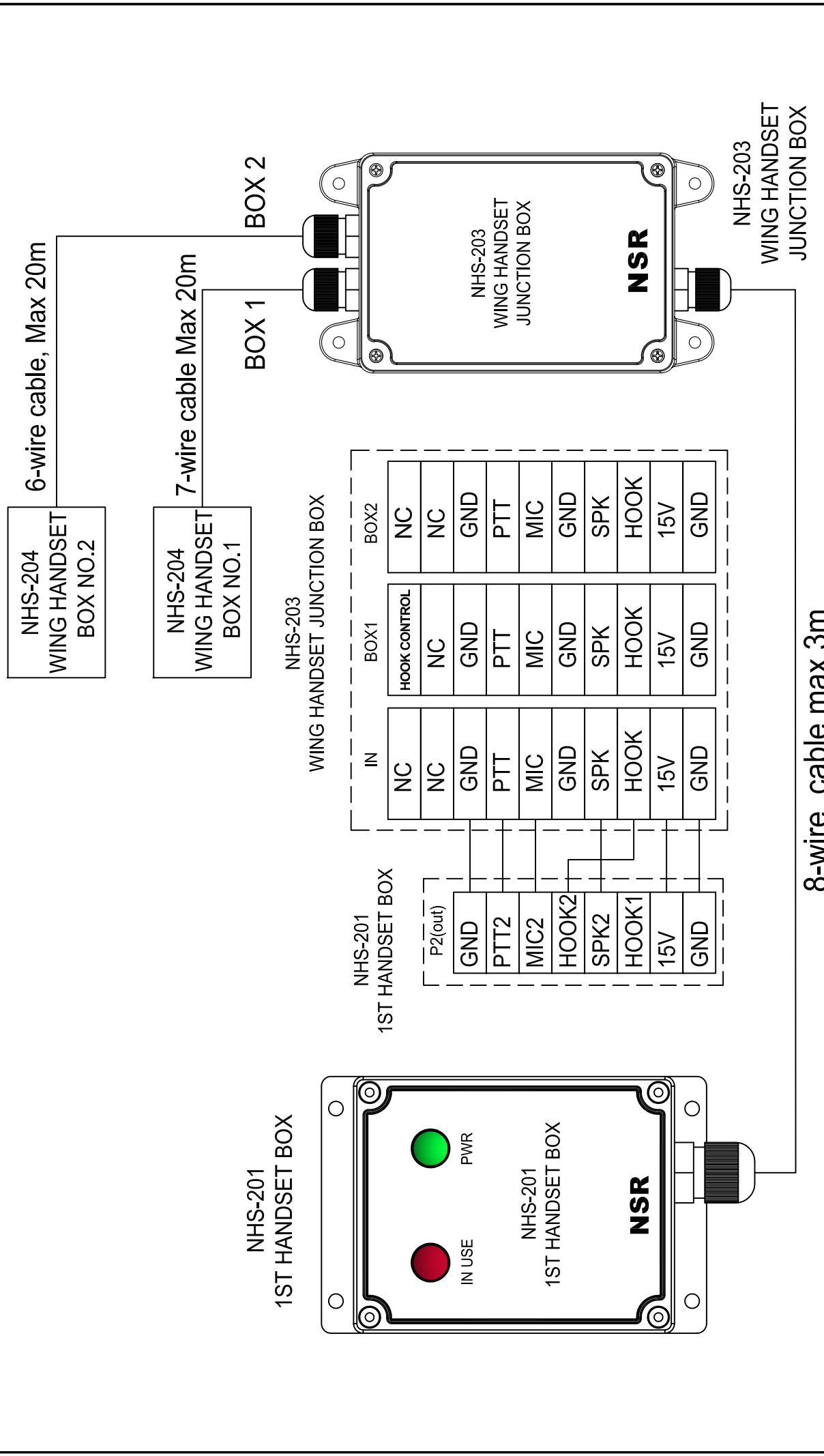
APPLICATION				WIRING DIAGRAM FOR TWO HANDSETS			
DATE	ITEM	SCALE	UNIT	PRO-SECTION	SIZE	A4	
APPROVAL	SCALE	UNIT	UNIT	PRO-SECTION	SCALE	UNIT	UNIT
CHECKED							
DRAWING							
IMG NO.	NVR3000-ID-005						
 <b>NSR</b> NEW SUNRISE CO., LTD.							



- 1.GND
- 2.PTT
- 3.MIC
- 4.GND
- 5.SPK
- 6.HOOK
- 7.15V
- 8.GND

**WARNING!**

1. The ON/OFF switch on NHS-204 (wing handset box) should be kept off when wing handset is not connected or not used.
2. Wing handset will be disabled if main handset at NHS-201 (1st handset box) is removed.
3. Only one wing handset can be connected any time. System will be abnormal if two wing handsets are connected simultaneously.



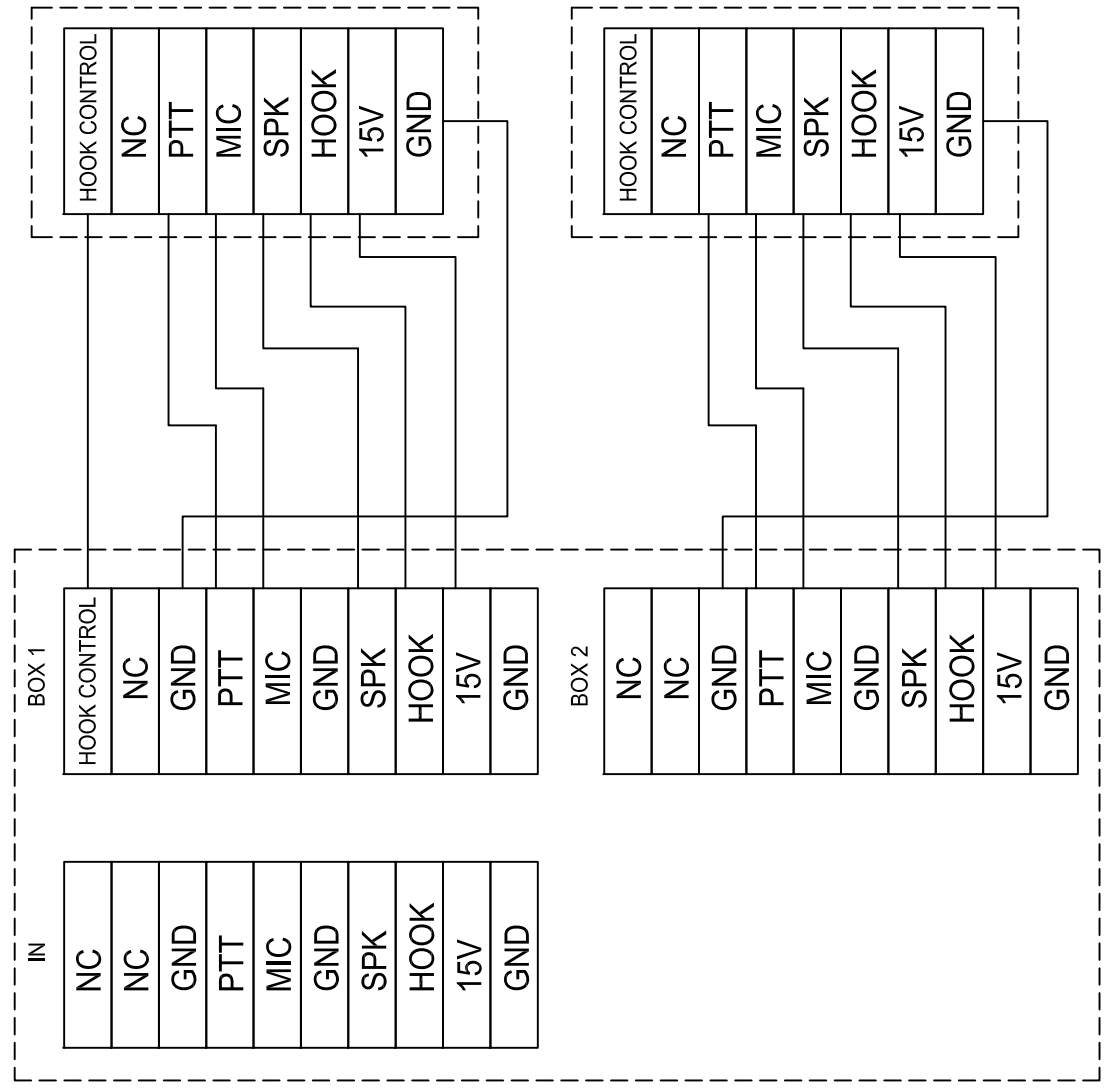
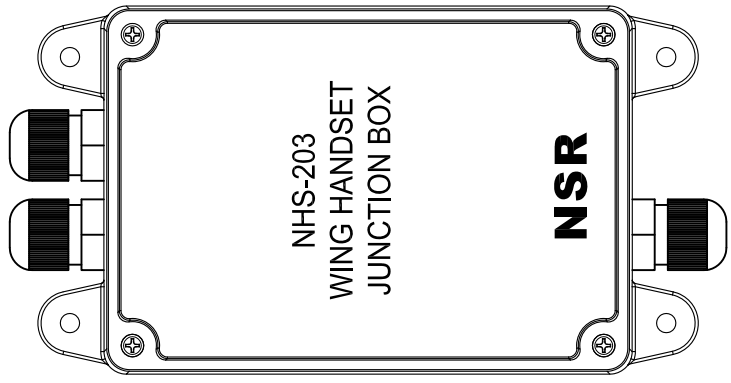
APPLICATION: WIRING DIAGRAM FOR WING HANDSETS

DATE	ITEM	SCALE	UNIT	PRO. PART NO.	SIZE
APPROVAL	SCALE	IN/S	MM	NO.	MM
CHECKED	SCALE	IN/S	MM	NO.	MM
DRAWING	SCALE	IN/S	MM	NO.	MM
IMG. NO.	NVR3000-ID-007				SIZE
					A4

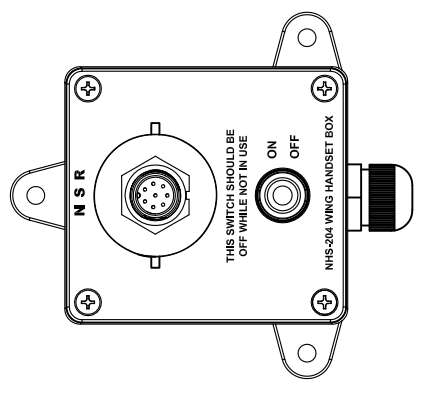
**NSR** NEW SUNRISE CO., LTD.

NO.	DATE	REVISION & DESCRIPTION	REVIEWED	CHECKED
△				SIGNATURE

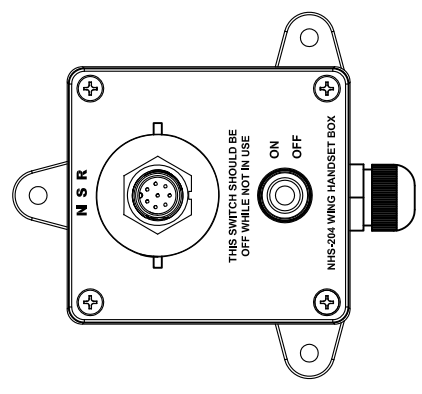
NHS-203  
WING HANDSET JUNCTION BOX



NHS-204  
WING HANDSET BOX NO.1



NHS-204  
WING HANDSET BOX NO.2

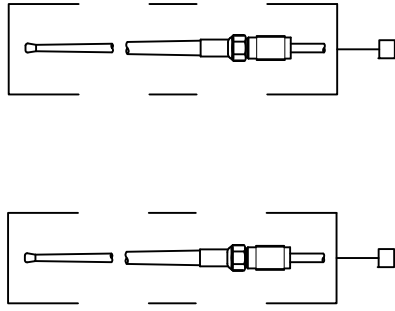


APPLICATION NHS-203 TO NHS-204 CONNECTION DIAGRAM

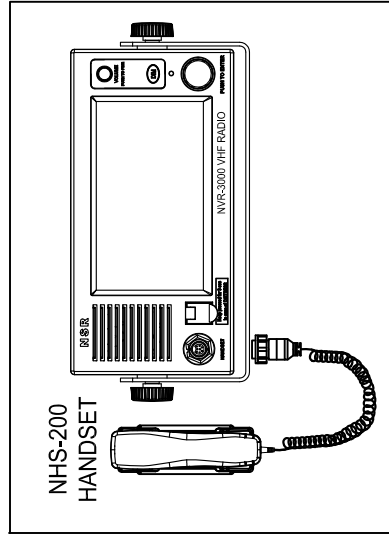
DATE	ITEM	SCALE	UNIT	PRO. PART NO.	SIZE
		1/16"	IN		A4
APPROVAL	CHECKED	DRAWING	IMG. NO.	NVR3000-ID-008	
				 NEW SUNRISE CO., LTD.	

# METHOD ①

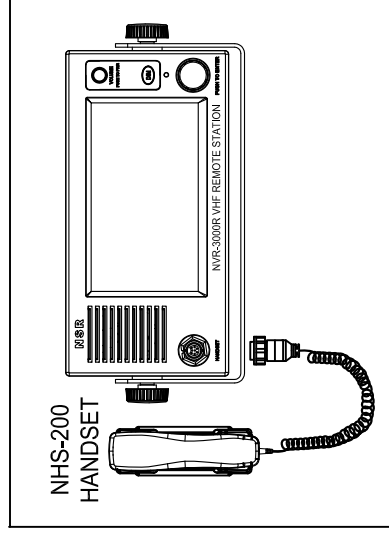
## NVA100 VHF ANTENNA



## NVR-3000 VHF RADIO DSC CLASS A



## NVR-3000R VHF REMOTE STATION



**CROSSOVER  
LAN CABLE**

1. White-green
2. Green
3. White-orange
4. Blue
5. White-blue
6. Orange
7. White-brown
8. Brown

1. White-orange
2. Orange
3. White-green
4. Blue
5. White-blue
6. Green
7. White-brown
8. Brown

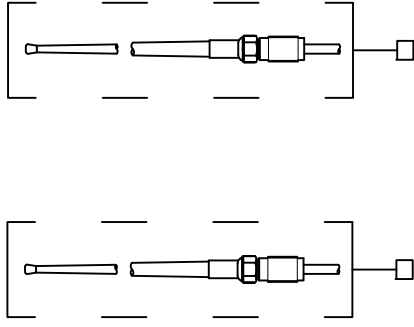
APPLICATION NVR-3000R VHF REMOTE STATION SYSTEM DIAGRAM -1

DATE	ITEM	SCALE	IN/S	UNIT	PROJ.	SECTION	NO.	SIZE	DATE
APPROVAL	CHECKED	DRAWING							
NEW SUNRISE CO., LTD. NVR3000-ID-009									

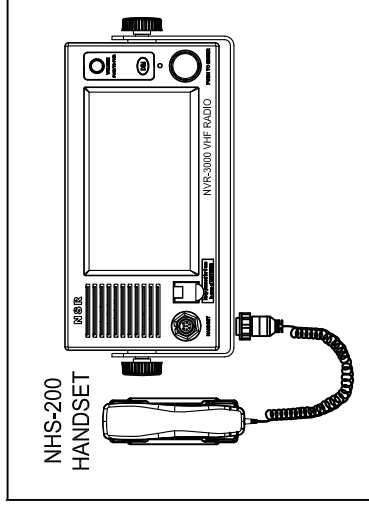
NO.	DATE	REVISION & DESCRIPTION	REVIEWED	CHECKED
①				

# METHOD ②

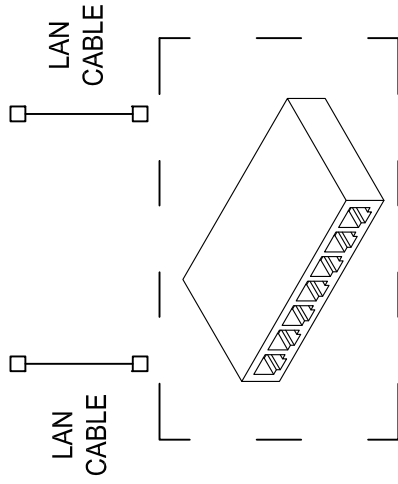
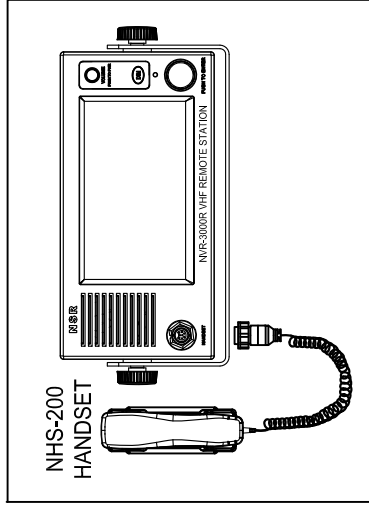
## NVA100 VHF ANTENNA



## NVR-3000 VHF RADIO DSC CLASS A




## NVR-3000R VHF REMOTE STATION



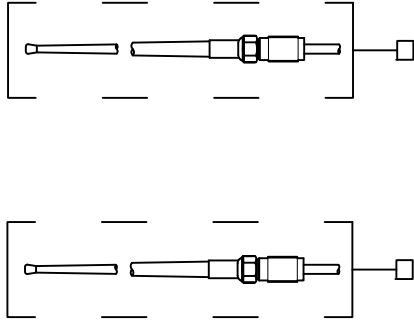
## ROUTER

NO.	DATE	REVISION & DESCRIPTION	REVIEWED SIGNATURE	CHECKED SIGNATURE
①				

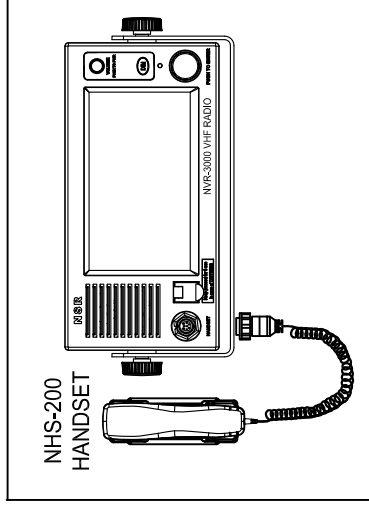
APPLICATION NVR-3000R VHF REMOTE STATION SYSTEM DIAGRAM -2				
DATE	ITEM	SCALE	UNIT	SIZE
		1/8" = 1"		A4
APPROVAL	CHECKED	DRAWING	DATE	SCALE
				1/8" = 1"
 <b>NEW SUNRISE CO., LTD.</b> <small>INCORPORATED IN JAPAN</small>				
DRAWING NO. NVR3000R-010				

# METHOD ③

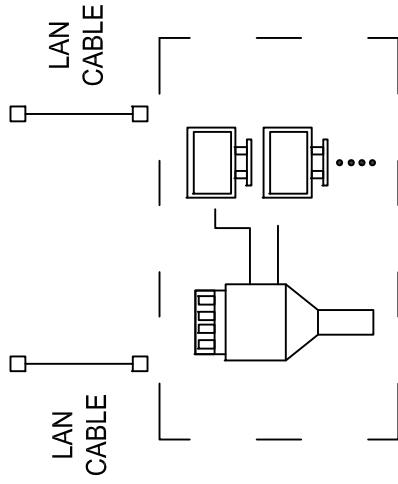
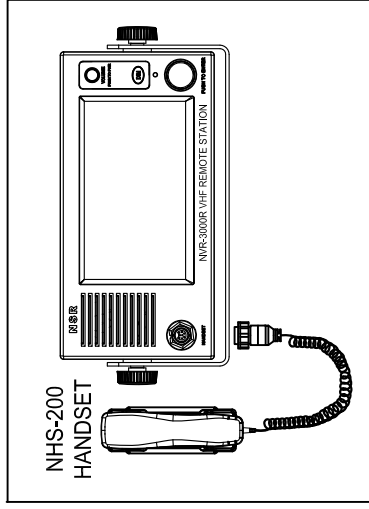
## NVA100 VHF ANTENNA



## NVR-3000 VHF RADIO DSC CLASS A



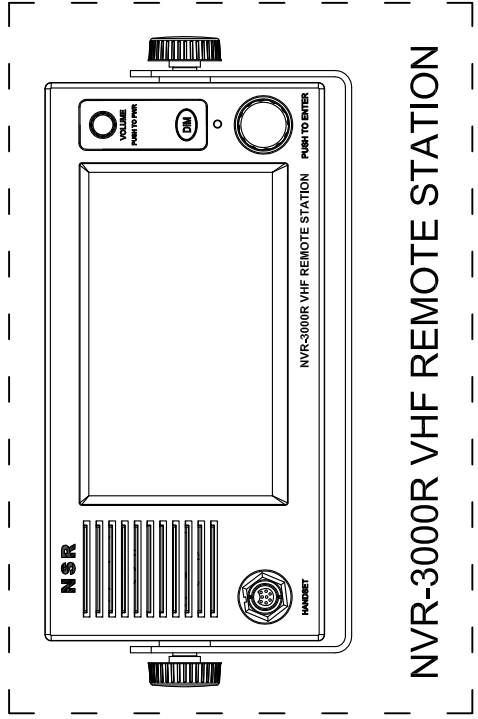
## NVR-3000R VHF REMOTE STATION



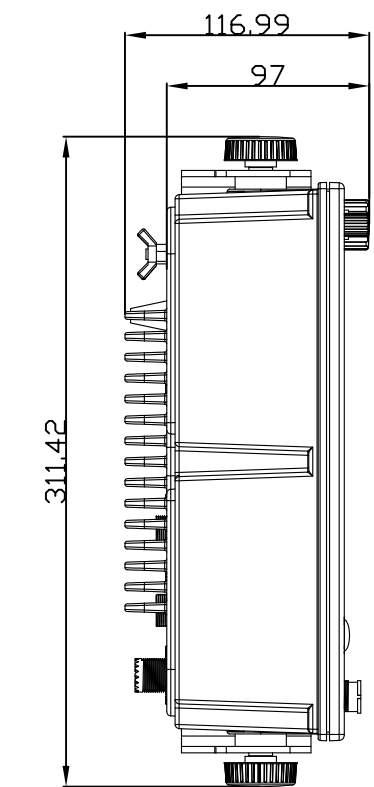
APPLICATION		NVR-3000R VHF REMOTE STATION SYSTEM DIAGRAM -3	
DATE	ITEM	SCALE	SIZE
APPROVAL	SCALE	IN/S	MM
CHECKED	PROJ. PART	NO.	NO.
DRAWING	DRAWING		NO.
IMG. NO.	NVR3000-ID-011		

**NSR**  
NEW SUNRISE CO., LTD.

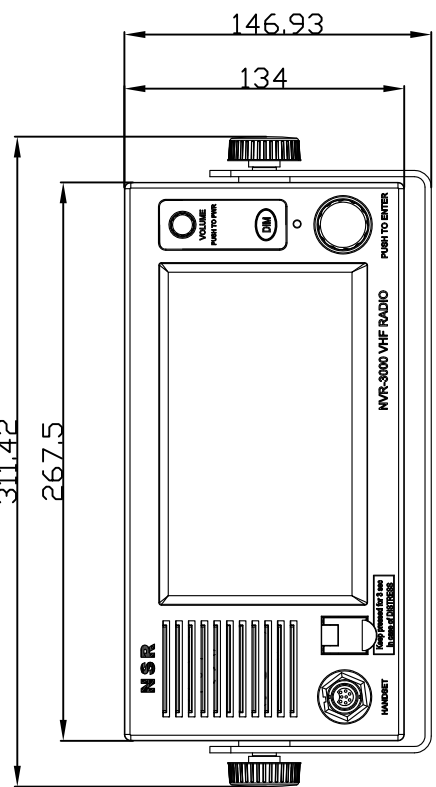
NO.		DATE		REVISION & DESCRIPTION		REVIEWED	CHECKED
A		G		H		SIGNATURE	



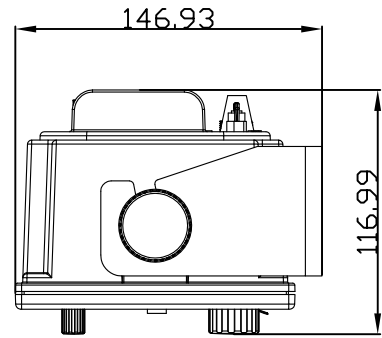
NVR-3000R VHF REMOTE STATION



TOP VIEW



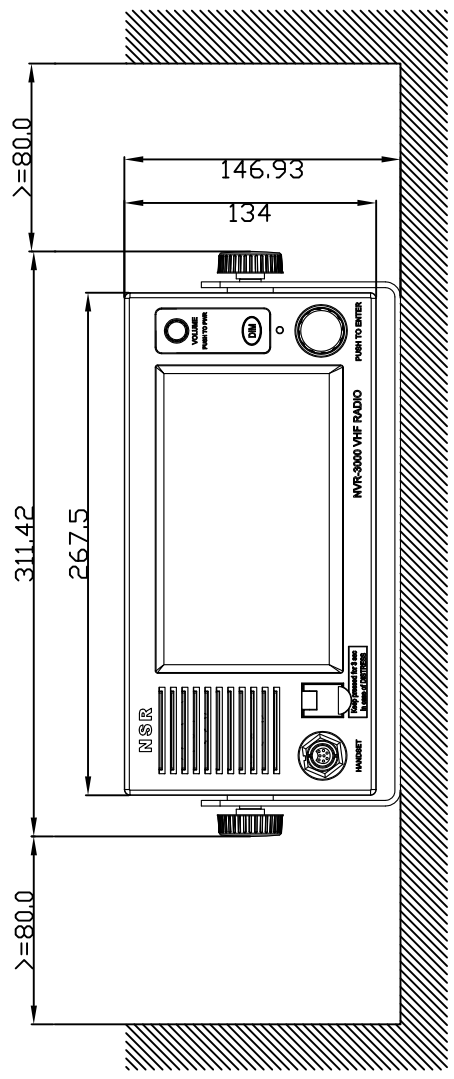
FRONT VIEW



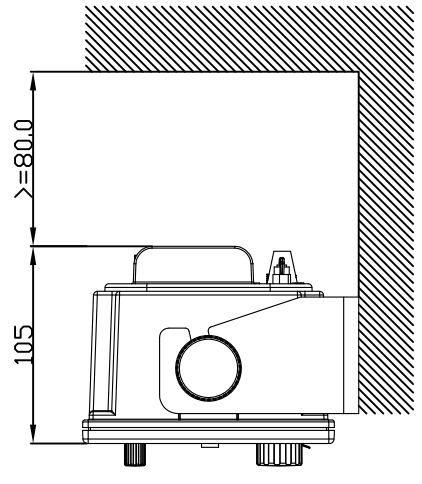
SIDE VIEW

APPLICATION		NVR-3000/NVR-3000R DIMENSION DRAWING					
DATE	ITEM	SCALE	IN/S	UNIT	PROJ.	SECTION	SIZE
							A4
APPROVAL	CHECKED	DRAWING	DATE	BY	APP'D	DATE	BY
DRAWING		NVR3000-ID-012					
DRAWING							
DRAWING		NEW SUNRISE CO., LTD.					

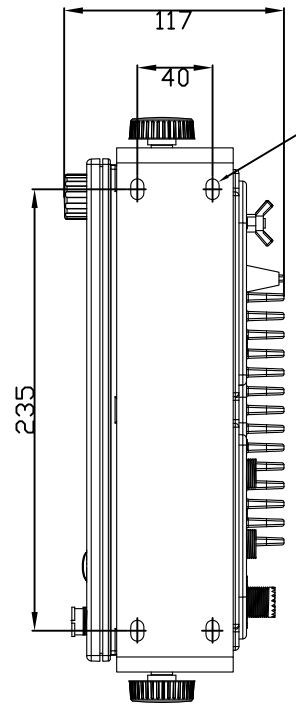
NO.	DATE	REVISION & DESCRIPTION	REVIEWED SIGNATURE	CHECKED SIGNATURE
△				



FRONT VIEW



SIDE VIEW

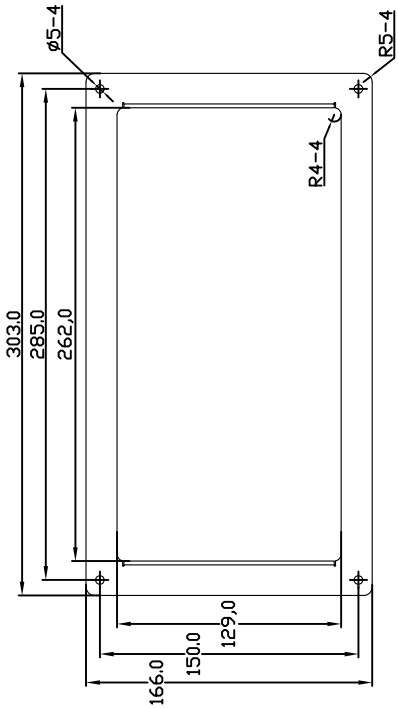
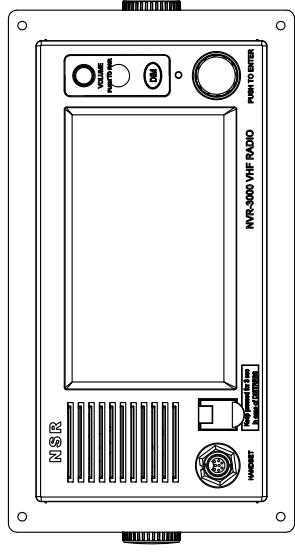
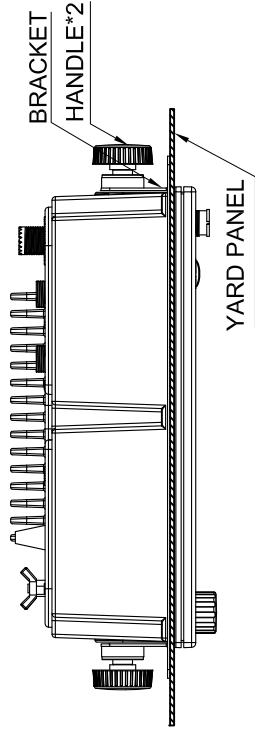
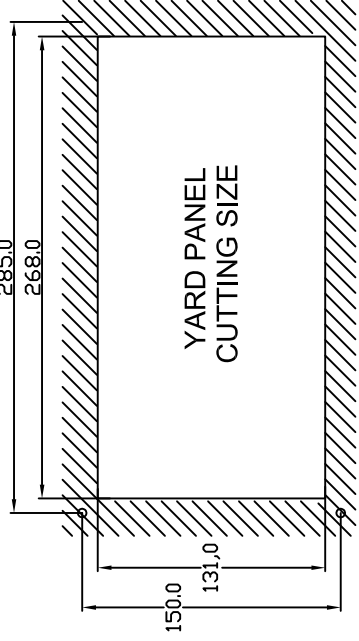
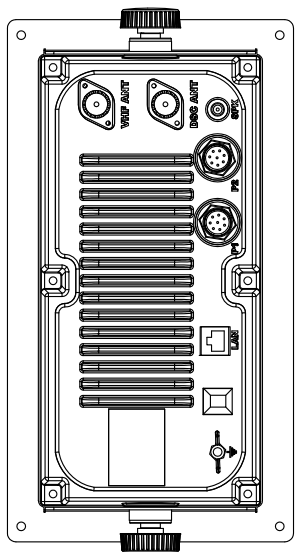
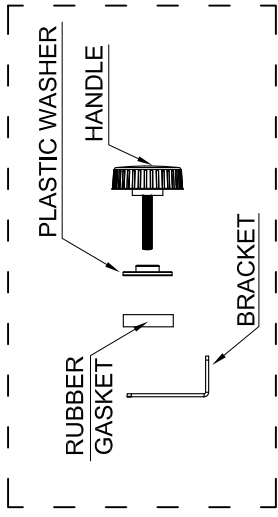
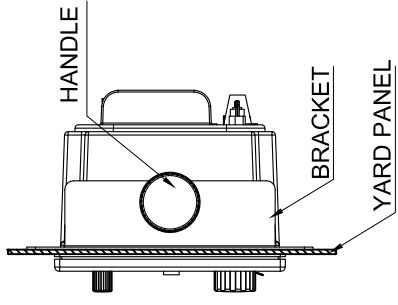
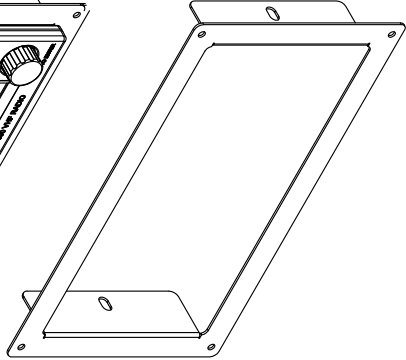
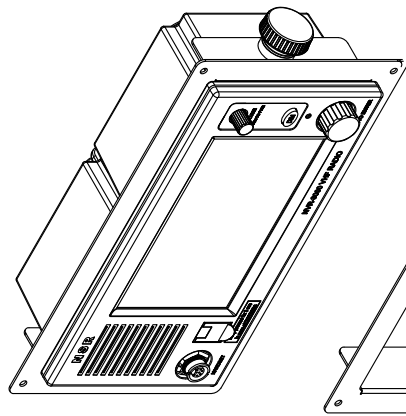


BOTTOM VIEW

NOTE: TABLE TYPE  
 1. USE SELF-TAPPING SCREWS M5X20 FOR FIXING THE UNIT.  
 2. 80MM IS MINIMUM SPACE FOR OPERATION AND CABLING.

APPLICATION					NVR-3000 MOUNTING DRAWING (TABLE TYPE)				
DATE	ITEM	SCALE	UNIT	PROJ. SECTION	DATE	SIZE	APP. NO.	DESIGNER	CHECKER
						A4			
APPROVAL	CHECKED	DRAWING	IMG. NO.						
			NVR3000D-013	<b>NEW SUNRISE CO., LTD.</b> <small>NEW SUNRISE CO., LTD.</small>					

NO.	DATE	REVISION & DESCRIPTION	REVIEWED	CHECKED
△				

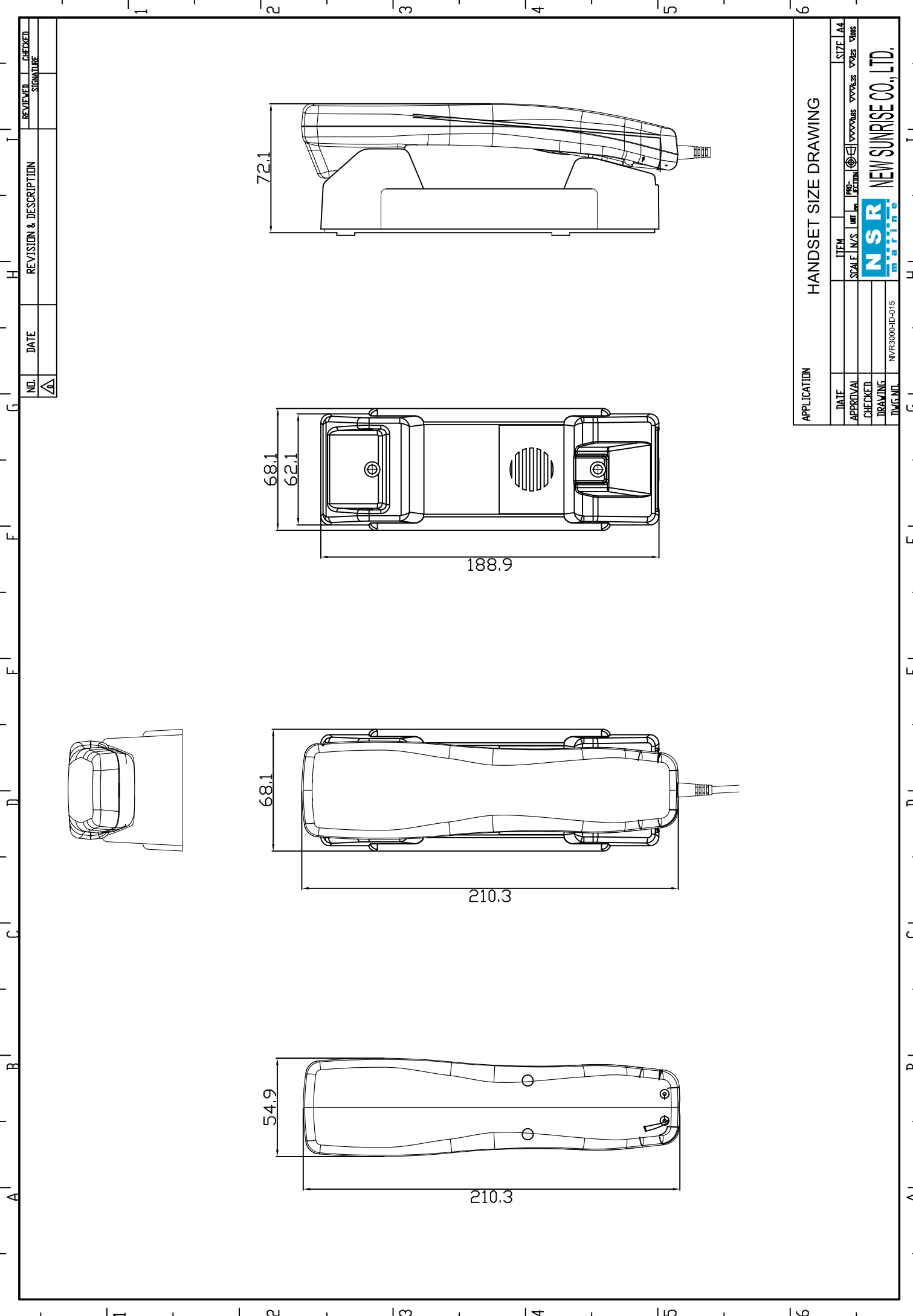


MOUNTING BRACKET SIZE

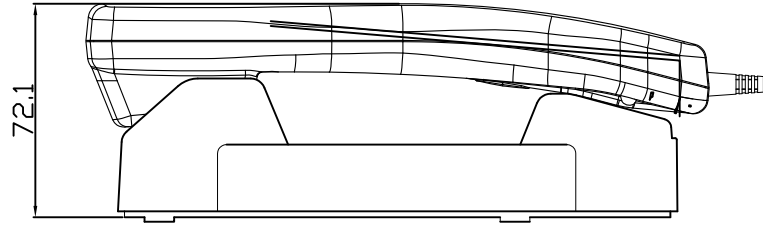
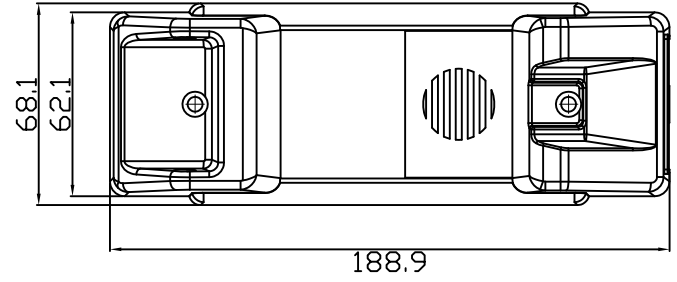
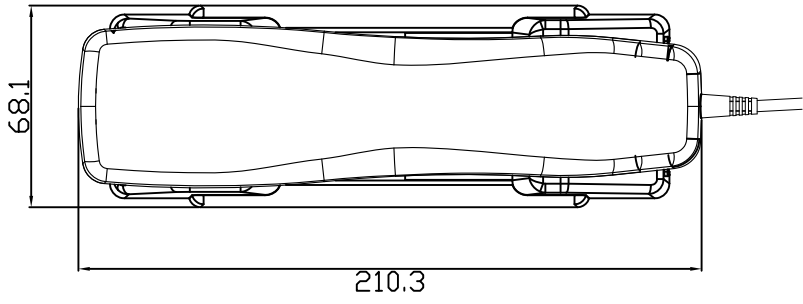
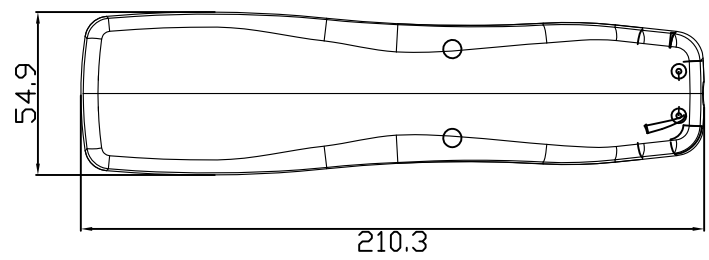
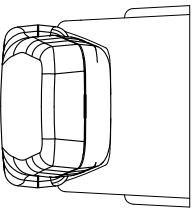
APPLICATION NVR-3000 MOUNTING DRAWING (FLUSH TYPE)

DATE	ITEM	SCALE	UNIT	PROJ. SECTION	SIZE
		1:1	mm		A4
APPROVAL					
CHECKED					
DRAWING					
IMG. NO.	NVR3000-ID-014				

**NSR** NEW SUNRISE CO., LTD.



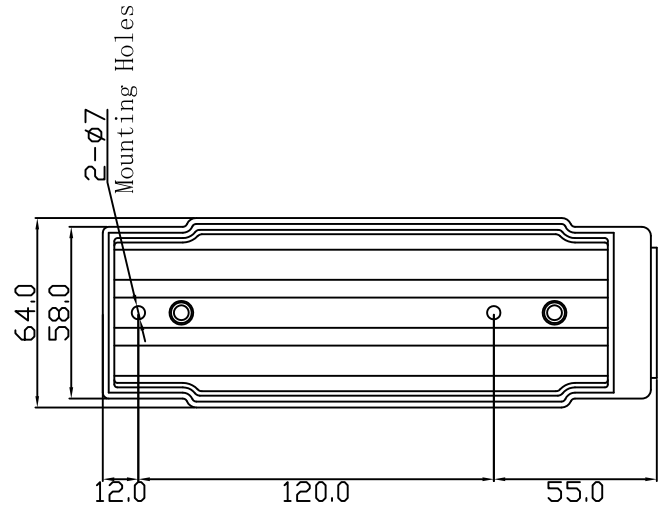
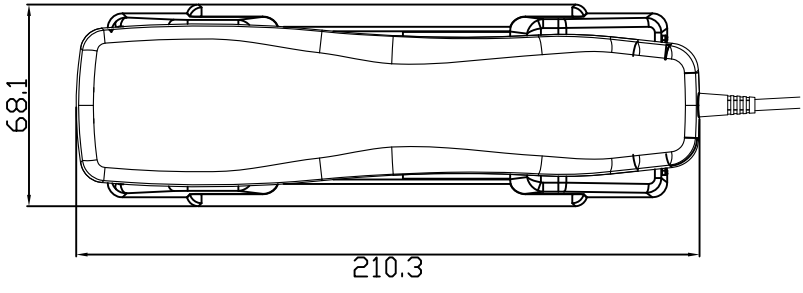
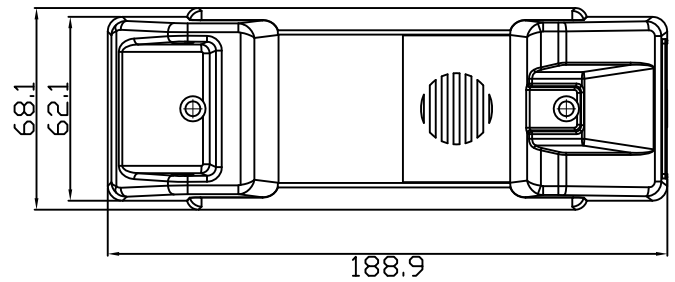
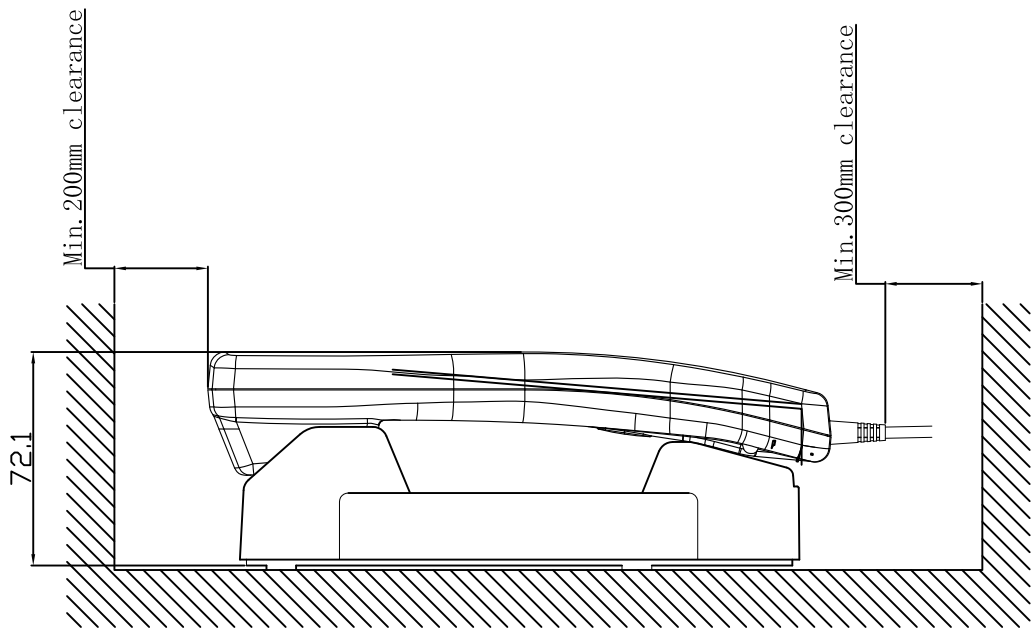
NO.	DATE	REVISION & DESCRIPTION	CHECKED SIGNATURE
△			




APPLICATION		HANDSET SIZE DRAWING		6	
DATE	ITEM	SCALE	UNIT	PROJ.	SECTION
		1:1	MM		
APPROVAL	CHECKED	DRAWING		DRAWING	
				NVR3000-ID-015	
		SIZE		A4	
		DRAWN BY		VVS	
		CHECKED BY		VVS	
		DRAWING NO.		NVR3000-ID-015	
		COMPANY		NEW SUNRISE CO., LTD.	

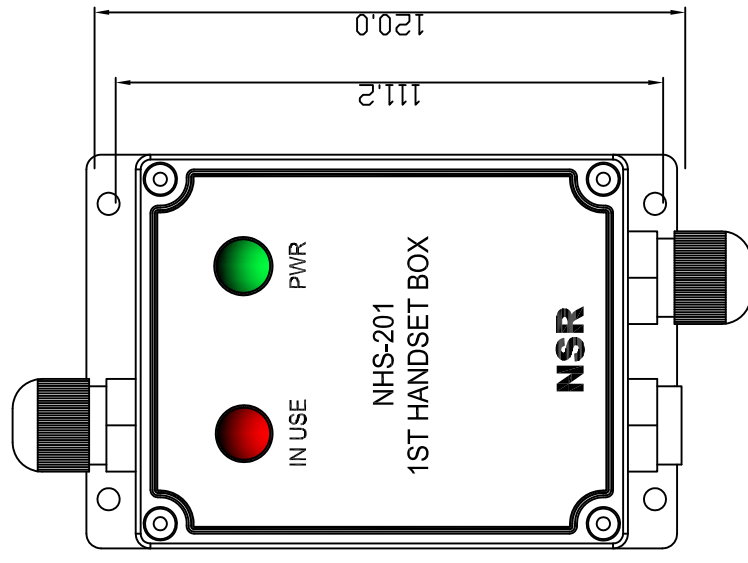
A B C D E F G H I 1 2 3 4 5 6

NO.	DATE	REVISION & DESCRIPTION	CHECKED	SIGNATURE
△				

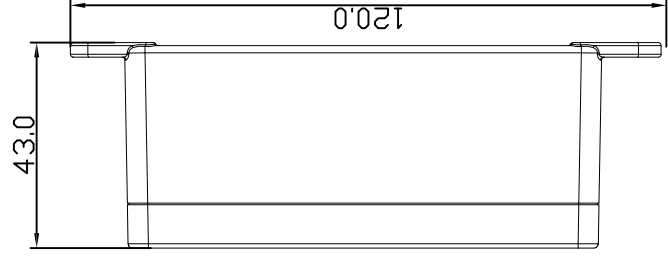


APPLICATION		HANDSET MOUNTING DRAWING		SIZE A4	
DATE	ITEM	SCALE	UNIT	PROJ. SYSTEM	SCALE
APPROVAL	SCALE	UNIT	PROJ. SYSTEM	SCALE	UNIT
CHECKED	DRAWING		NVR3000-ID-016		
DRAWING	DRAWING		NVR3000-ID-016		
DATE	DRAWING		NVR3000-ID-016		
 <b>NEW SUNRISE CO., LTD.</b>					

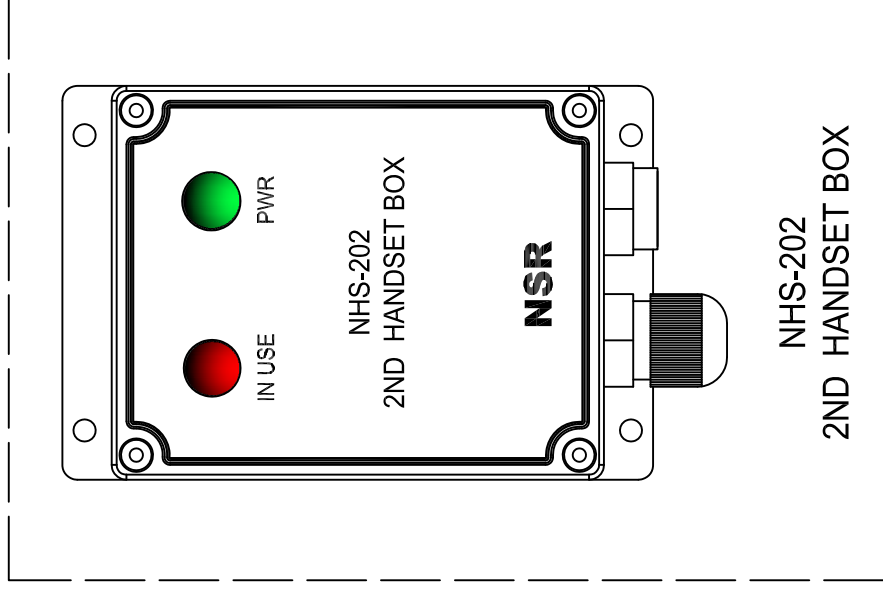
NO.	DATE	REVISION & DESCRIPTION	CHECKED
△			SIGNATURE



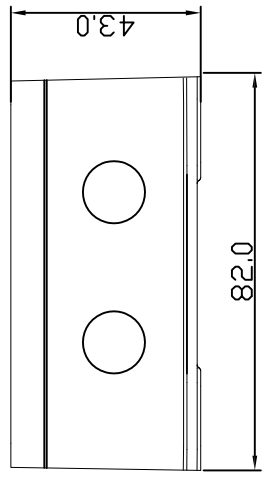
FRONT VIEW



SIDE VIEW



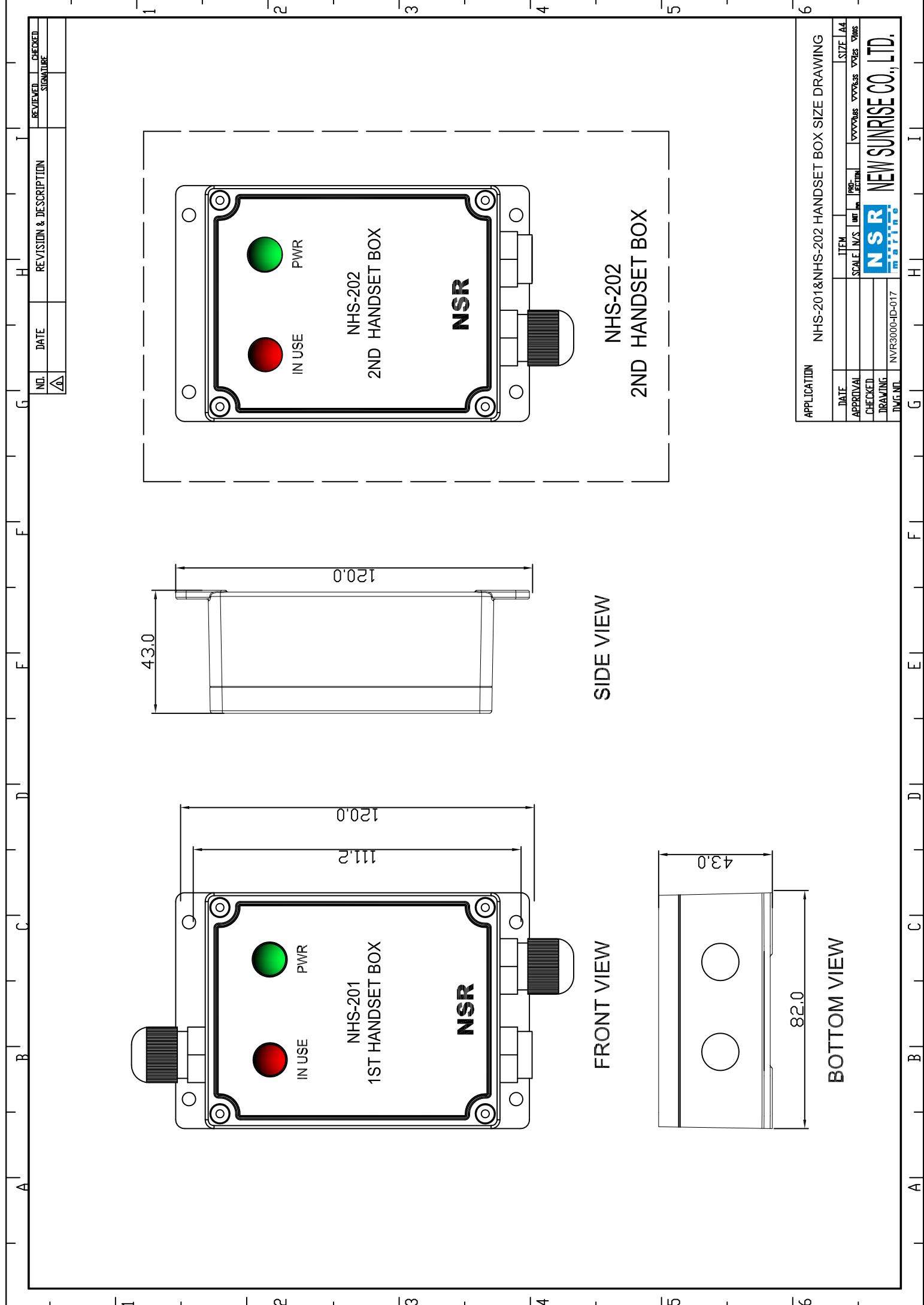
NHS-202  
2ND HANDSET BOX

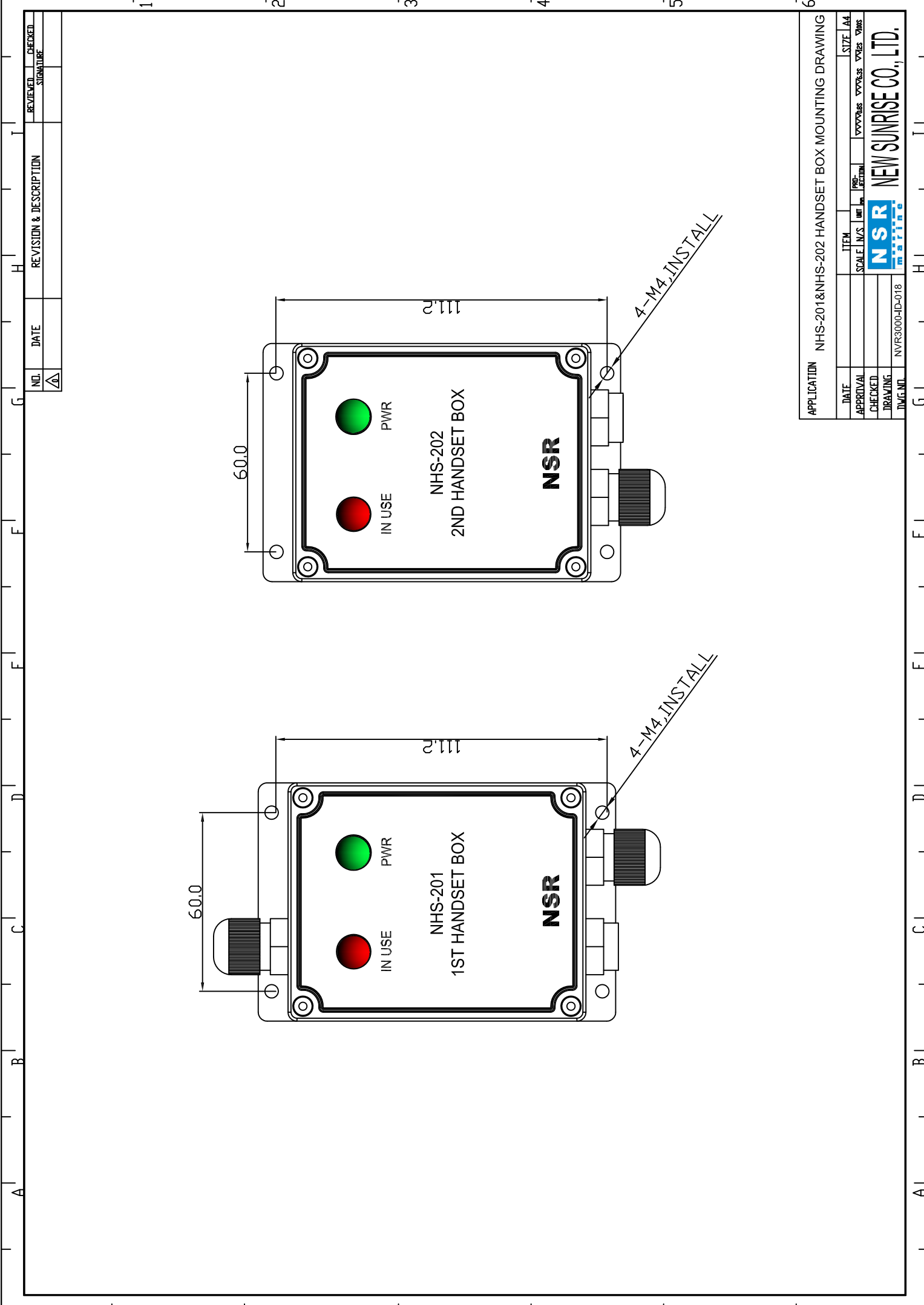


BOTTOM VIEW


APPLICATION		NHS-201&NHS-202 HANDSET BOX SIZE DRAWING			
DATE	ITEM	SCALE	UNIT	PROJ. SECTION	SIZE
APPROVAL	SCALE	IN/S	MM		A4
CHECKED					
DRAWING					
IMG. NO.	NVR3000-ID-017				

**NSR** **NEW SUNRISE CO., LTD.**  
new sunrise

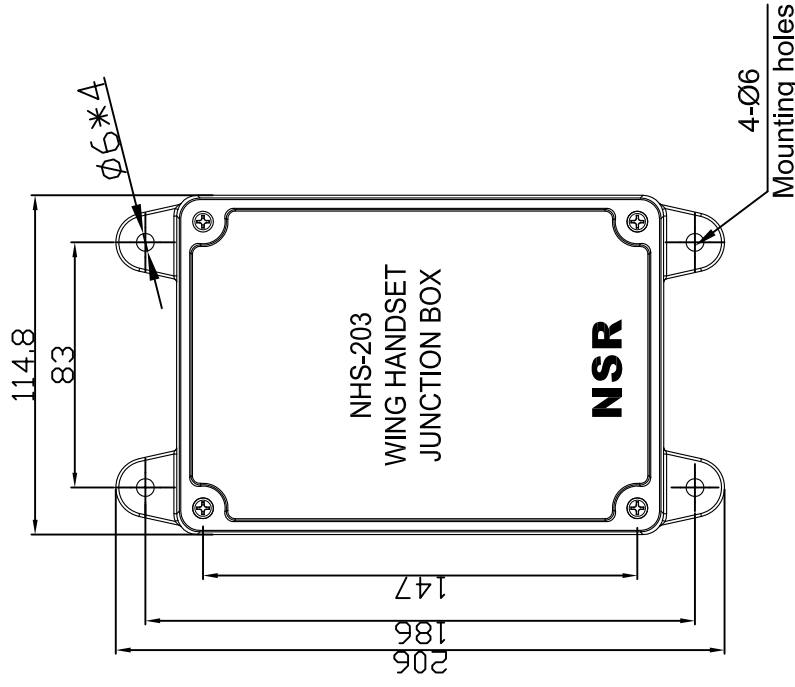




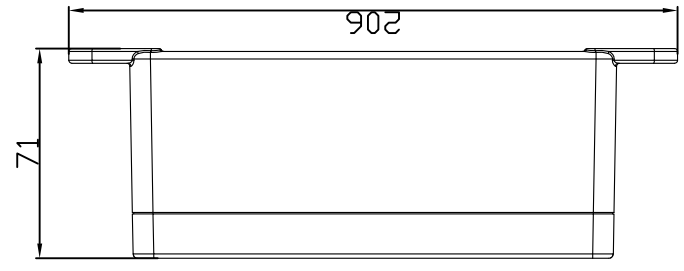
NO.	DATE	REVISION & DESCRIPTION	CHECKED SIGNATURE
△			

APPLICATION				NHS-201&NHS-202 HANDSET BOX MOUNTING DRAWING			
DATE	ITEM	SCALE	IN/S	UNIT	PROJ. NO.	SECTION	SIZE
							A4
APPROVAL	CHECKED	DRAWING	DATE	BY	DATE	BY	DATE
DRAWING				NVR3000-ID-018			
DRAWING				 <b>NEW SUNRISE CO., LTD.</b> <small>EST. 1978</small>			

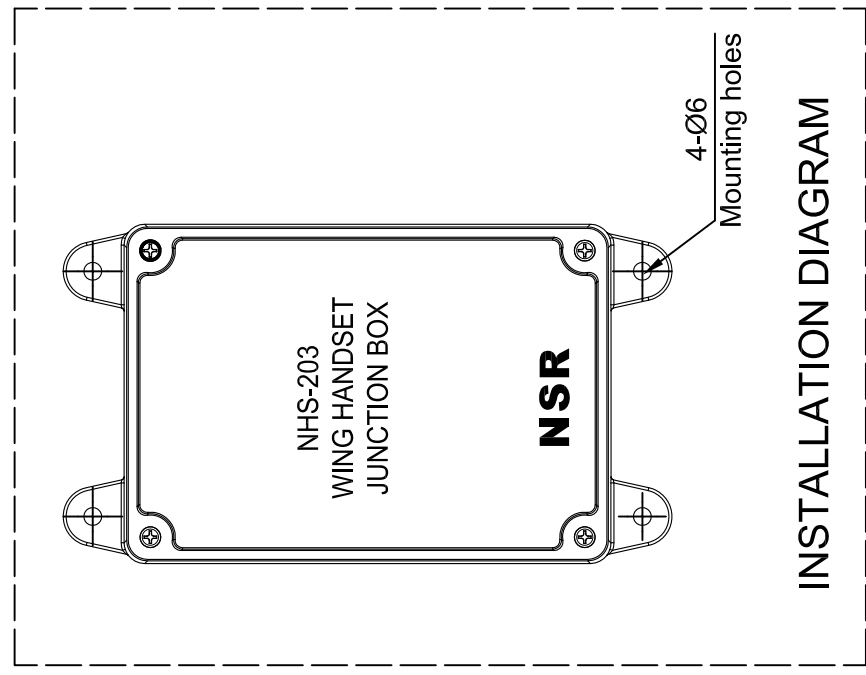
NO.	DATE	REVISION & DESCRIPTION	REVIEWED SIGNATURE	CHECKED SIGNATURE
△				



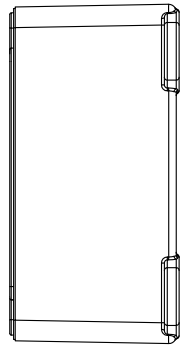
FRONT VIEW



SIDE VIEW



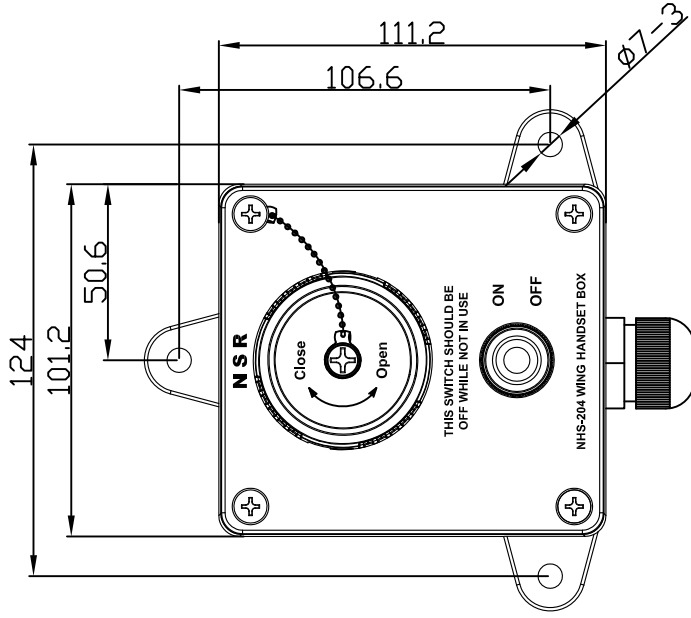
INSTALLATION DIAGRAM



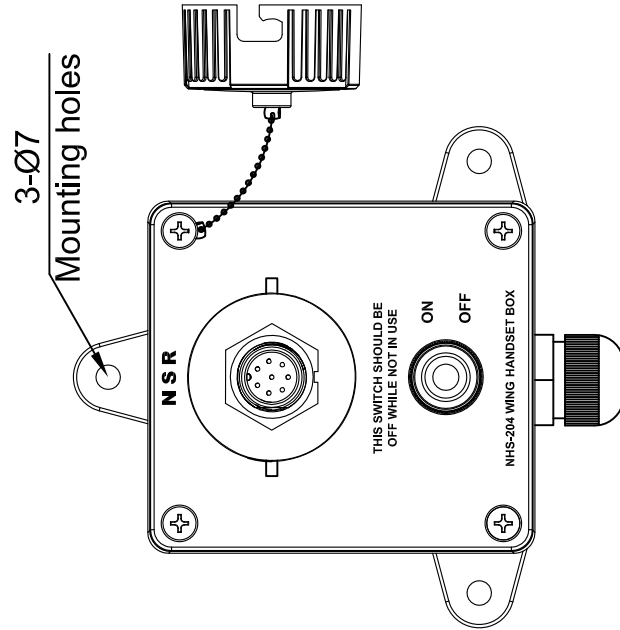
BOTTOM VIEW

APPLICATION					NHS-203 WING HANDSET JUNCTION BOX SIDE DRAWING				
DATE	ITEM	SCALE	UNIT	PROJ. SECTION	SIZE	1:1	A4		
APPROVAL	CHECKED	DRAWING	NVR3000-ID-019		NSR NEW SUNRISE CO., LTD.				

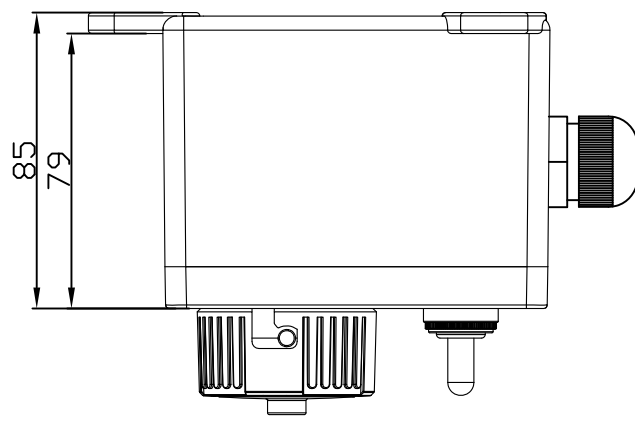
NO.	DATE	REVISION & DESCRIPTION	REVIEWED SIGNATURE	CHECKED SIGNATURE
△				



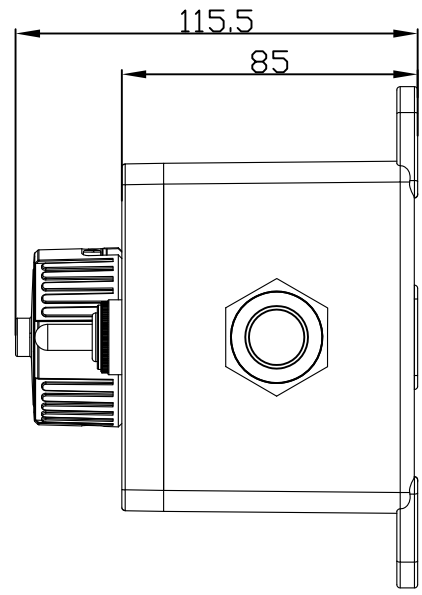
FRONT VIEW



INSTALLATION DIAGRAM



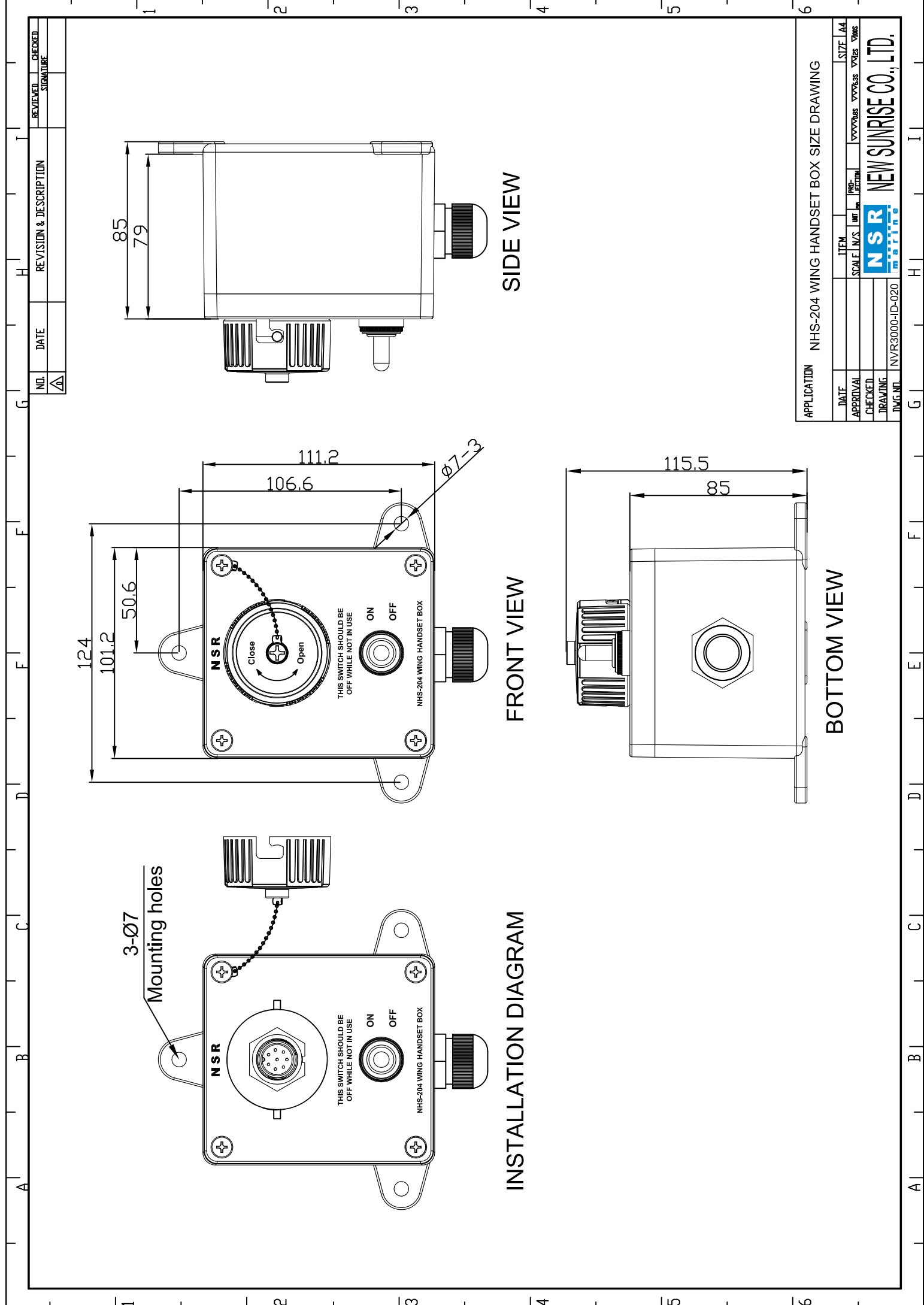
SIDE VIEW



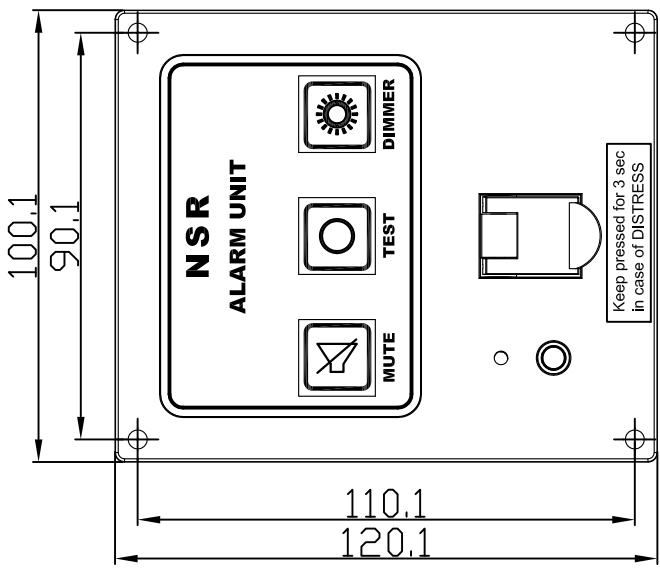
BOTTOM VIEW

APPLICATION		NHS-204 WING HANDSET BOX SIZE DRAWING		
DATE	ITEM	SCALE	UNIT	PROJ. SECTION
APPROVAL	SCALE	IN/S	MM	1/8"
CHECKED	DATE	DATE	DATE	DATE
DRAWING	DATE	DATE	DATE	DATE
DWG. NO.	NVR3000-ID-020			

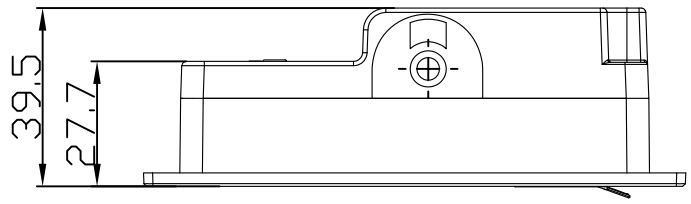
**NSR** NEW SUNRISE CO., LTD.  
 EST. 1978



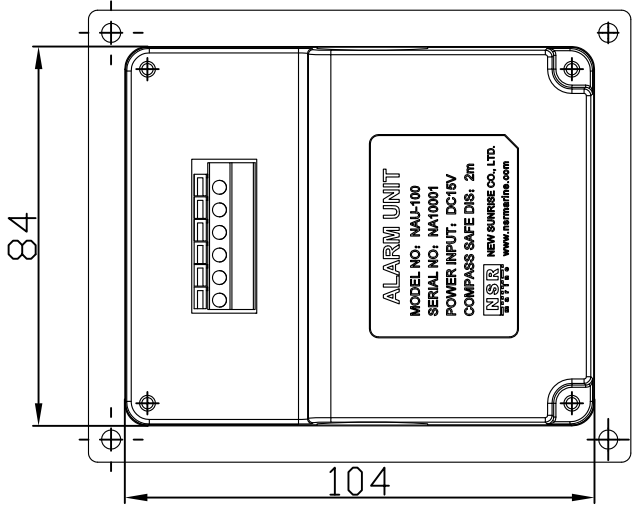
NO.	DATE	REVISION & DESCRIPTION	CHECKED	SIGNATURE
△				



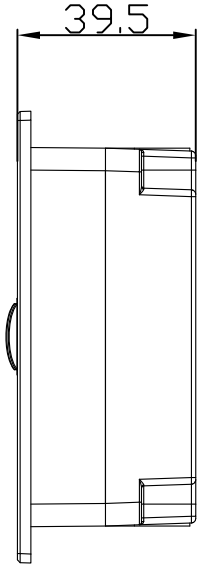
FRONT VIEW



SIDE VIEW



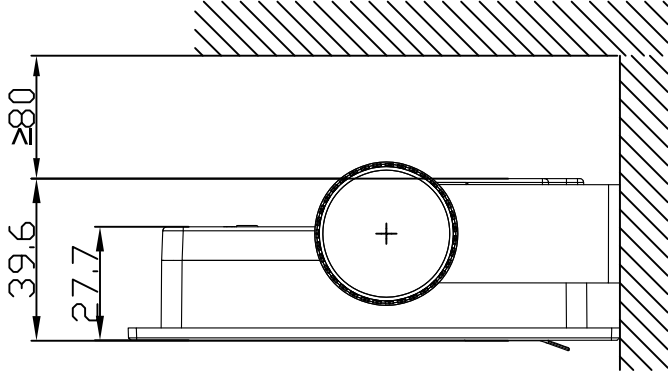
REAR VIEW



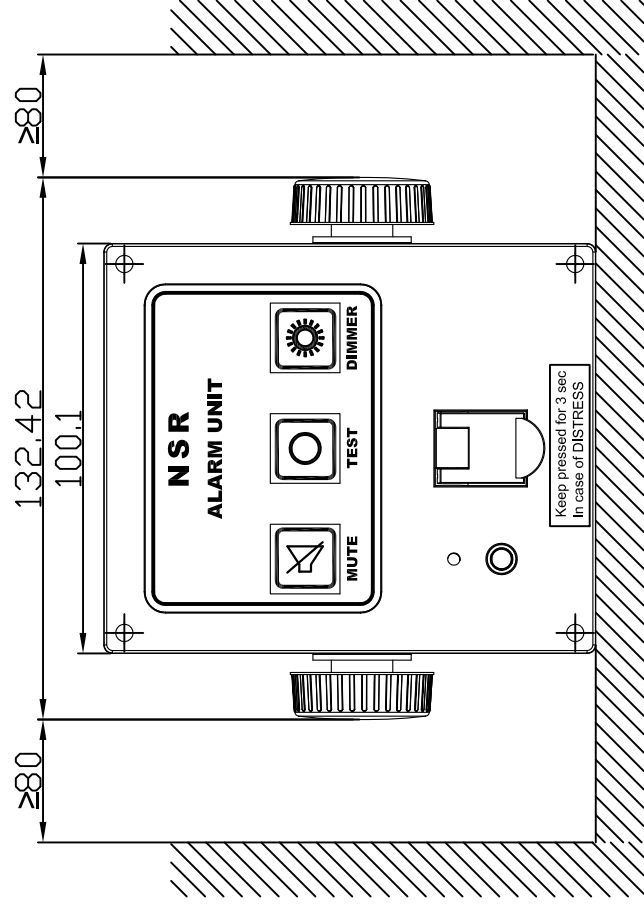
BOTTOM VIEW

APPLICATION		NAU-100 ALARM UNIT SIZE DRAWING		
DATE	ITEM	SCALE	UNIT	SIZE
APPROVAL	SCALE	UNIT	UNIT	LA4
CHECKED	SCALE	UNIT	UNIT	LA4
DRAWING	SCALE	UNIT	UNIT	LA4
IMG. NO.	NVR3000-ID-021			
<b>NEW SUNRISE CO., LTD.</b> <small>m a r i n e</small>				

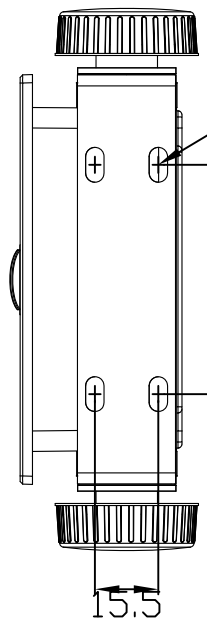
NO.	DATE	REVISION & DESCRIPTION	REVIEWED SIGNATURE	CHECKED SIGNATURE
△				



SIDE VIEW

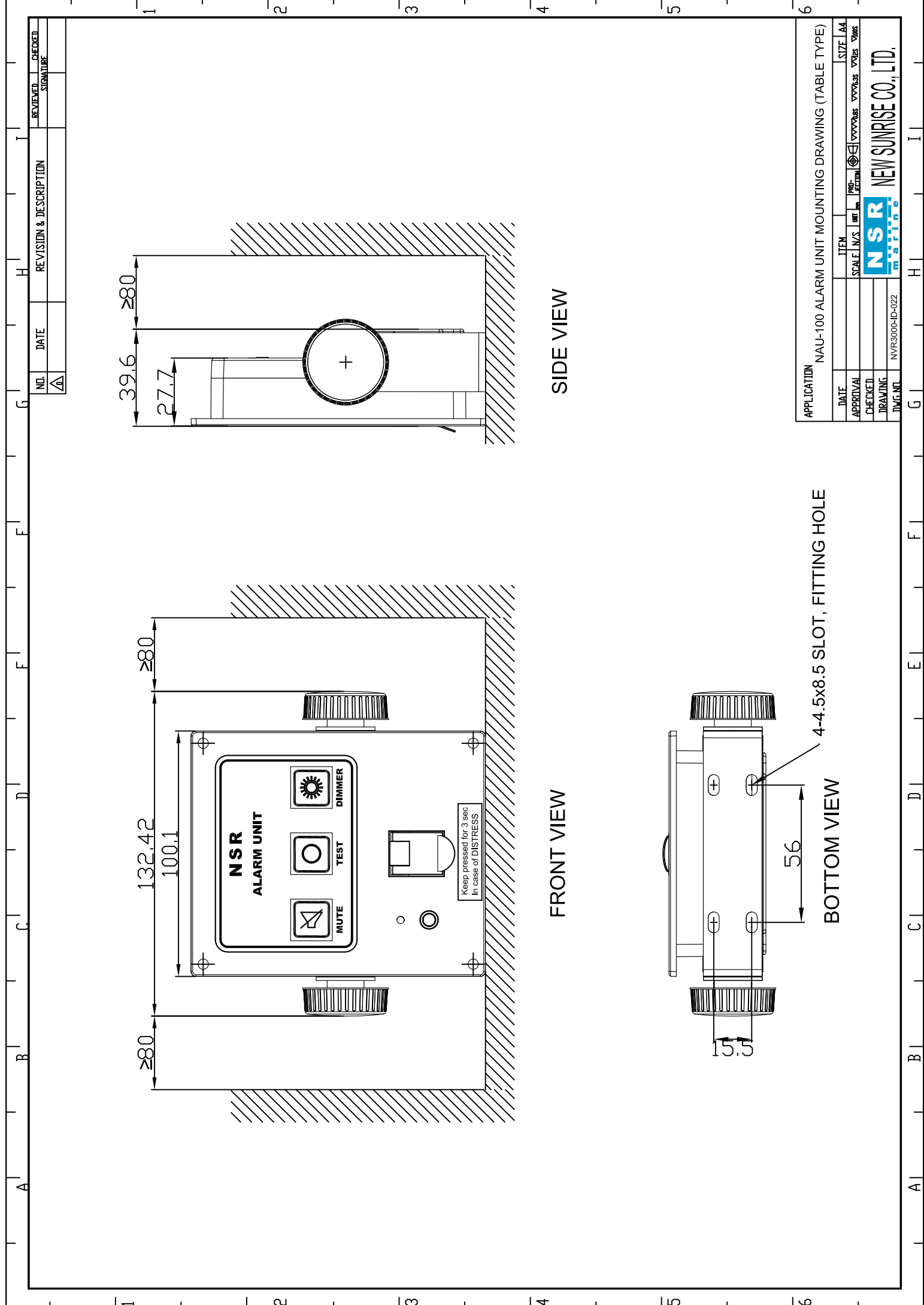


FRONT VIEW

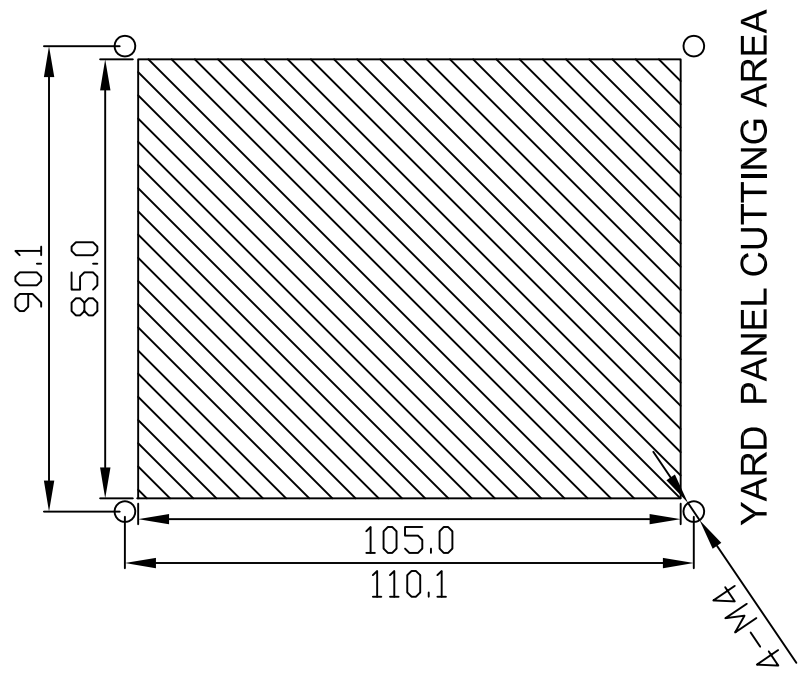
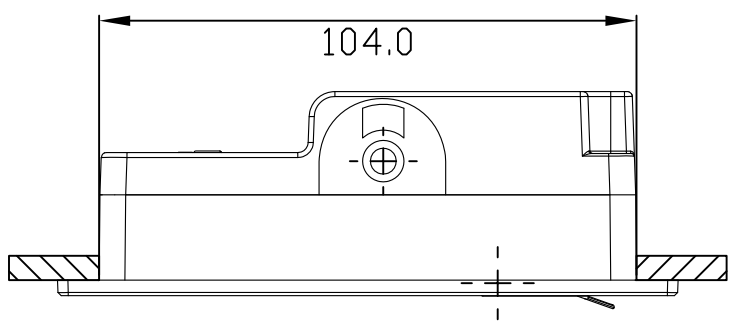
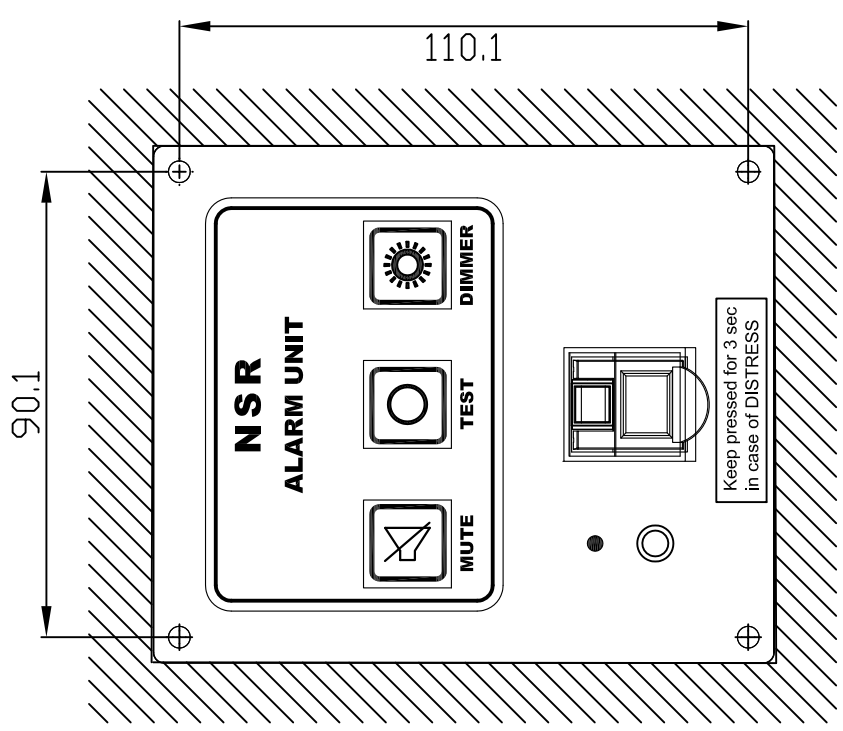


BOTTOM VIEW

APPLICATION		NAU-100 ALARM UNIT MOUNTING DRAWING (TABLE TYPE)			
DATE	ITEM	SCALE	UNITS	PROJ. SYSTEM	SIZE
APPROVAL					A4
CHECKED					
DRAWING					
DWG. NO.		NVR3000-ID-022			
		 <b>NEW SUNRISE CO., LTD.</b> <i>m a p i n e</i>			

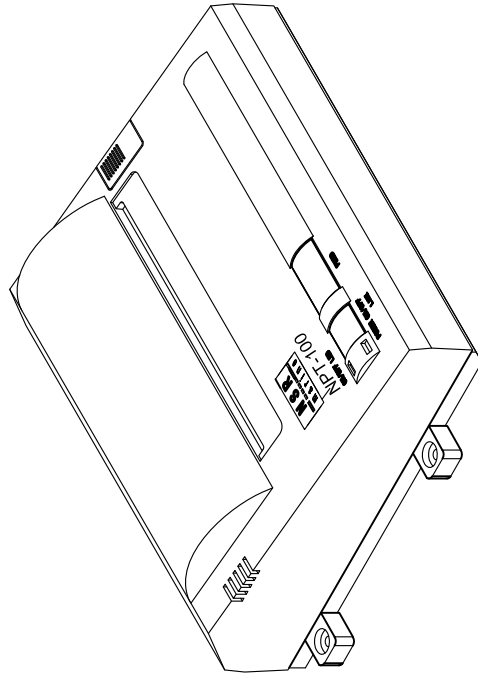
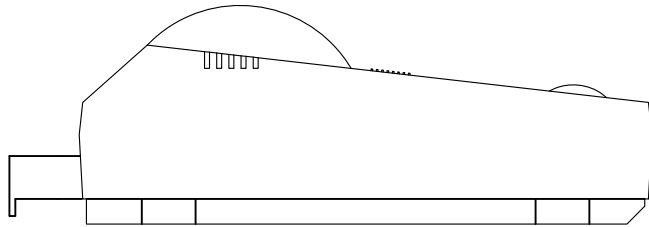
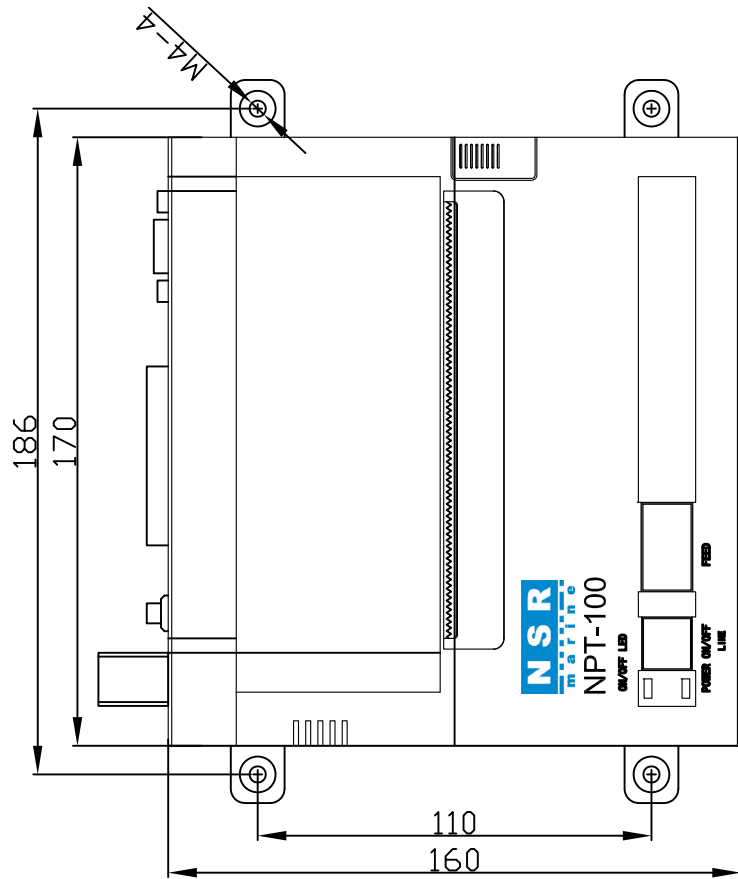


NO.	DATE	REVISION & DESCRIPTION	CHECKED	SIGNATURE
△				



APPLICATION		NAU-100 ALARM UNIT MOUNTING DRAWING (FLUSH TYPE)			
DATE	ITEM	SCALE	UNIT	PROJ. SECTION	SIZE
					A4
APPROVAL	CHECKED	DRAWING			
		DRAWING			
DRAWING		DRAWING			
DWG. NO.		NVR3000-ID-023			
		 <b>NEW SUNRISE CO., LTD.</b> <small>m a p i n e</small>			





APPLICATION NPT-100 PRINTER SIZE DRAWING

DATE	ITEM	SCALE	N/S	UNIT	mm	SIZE	A4
APPROVAL	CHECKED	DRAWING	DWG NO.				
						<b>NEW SUNRISE CO., LTD.</b>	
NPS3000-D-025							

Ø12

Ø12

Ø12

Ø12

Ø12

Ø12

Ø12

Ø12

Ø12

Ø12

1200

NVA100  
ANTENNA

MOUNT POLE

MAX Ø50  
(YARD SUPPLY)

尺寸图

安装图

# VHF ANTENNA

PART NO.: NVA100


TOTAL LENGTH: 1200MM

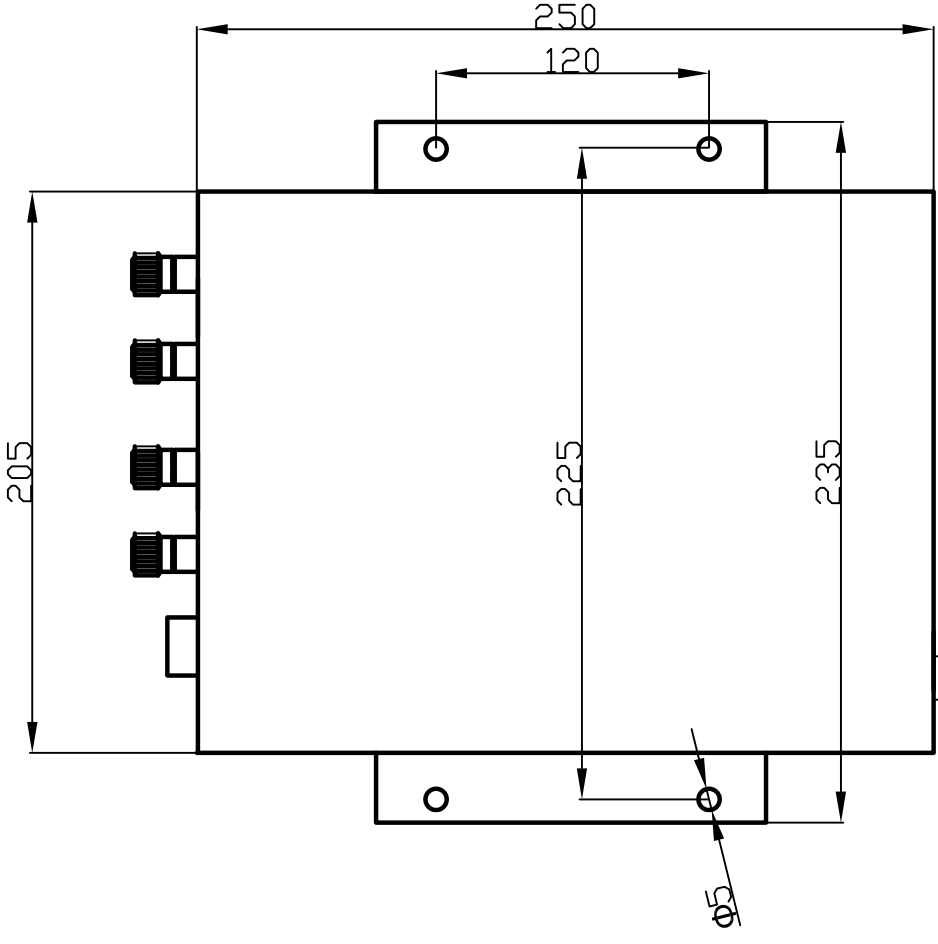
FREQ RANGE: 155MHZ~162MHZ

INPUT IMPEDANCE: 50Ω

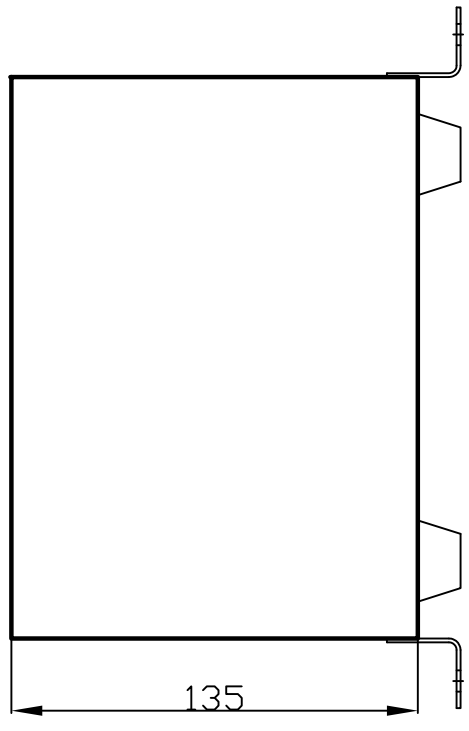
GAIN: 3.5dbi

NO.	DATE	REVISION & DESCRIPTION	REVIEWED SIGNATURE	CHECKED SIGNATURE
△				

APPLICATION NVA100 VHF ANTENNA SIZE DRAWING				
DATE	ITEM	SCALE	UNIT	SIZE
APPROVAL	IN/S	IN/S	IN/S	A4
CHECKED	DESIGN	DESIGN	DESIGN	DESIGN
DRAWING	DRAWING	DRAWING	DRAWING	DRAWING
DWG. NO.	NVR3000-D-026			
 <b>NSR</b> NEW SUNRISE CO., LTD.				



INPUT AC 220V/DC 24V 50HZ  
 INPUT DC 24V  
 OUTPUT DC 24V 10A



NO.	DATE	REVISION & DESCRIPTION	REVIEWED SIGNATURE	CHECKED SIGNATURE
△				

APPLICATION		PS-10 POWER SUPPLY UNIT SIZE DRAWING		
DATE	ITEM	SCALE	UNIT	SIZE
		1:1	mm	A4
APPROVAL	SCALE	IN/S	UNIT	PROJ. SECTION
				XXXXXXXXXXXXXXXXXXXX
CHECKED				XXXXXXXXXXXXXXXXXXXX
DRAWING				XXXXXXXXXXXXXXXXXXXX
IMG. NO.				XXXXXXXXXXXXXXXXXXXX
				XXXXXXXXXXXXXXXXXXXX



NEW SUNRISE CO., LTD.

INVR3000-ID-027