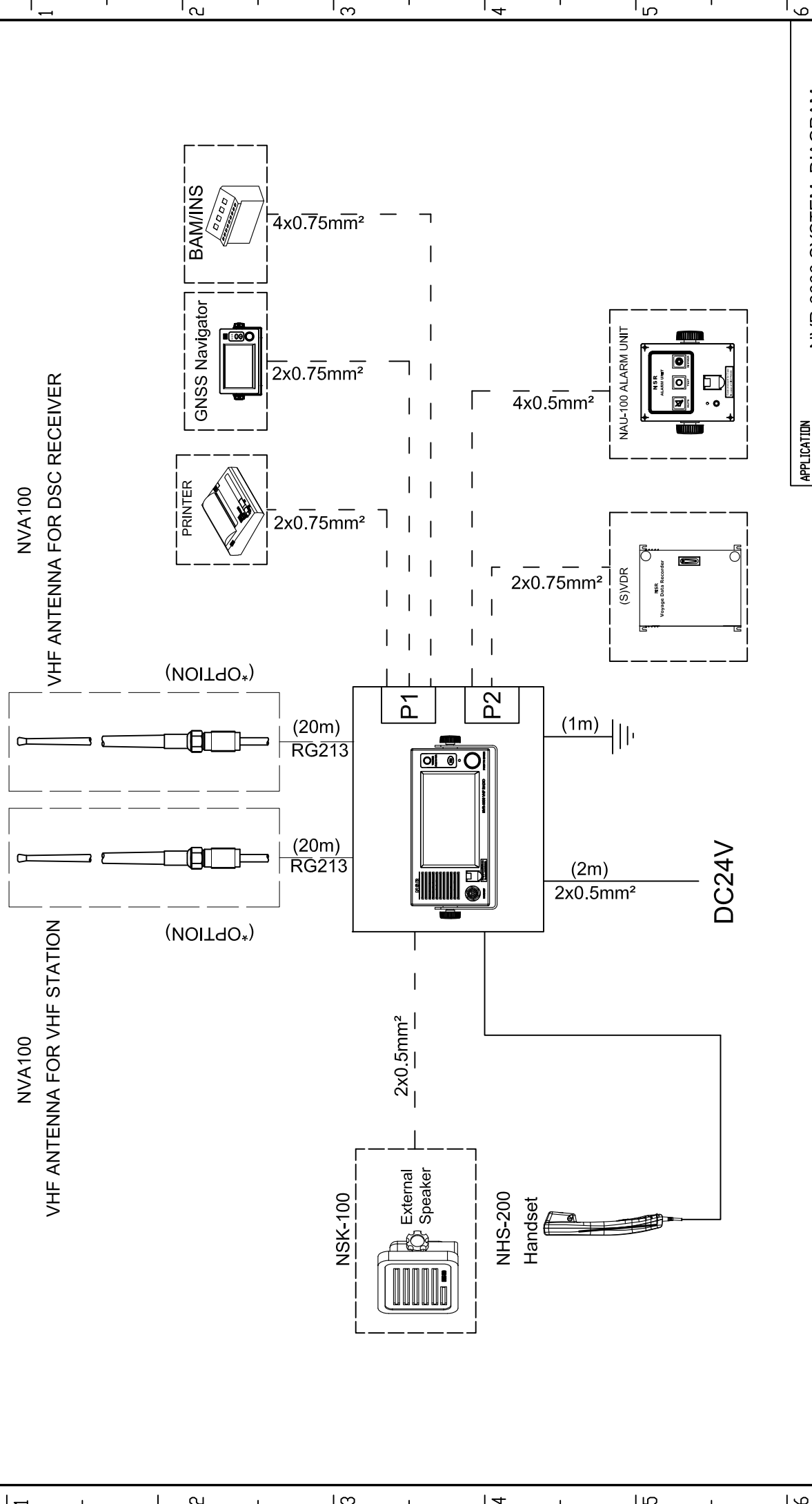


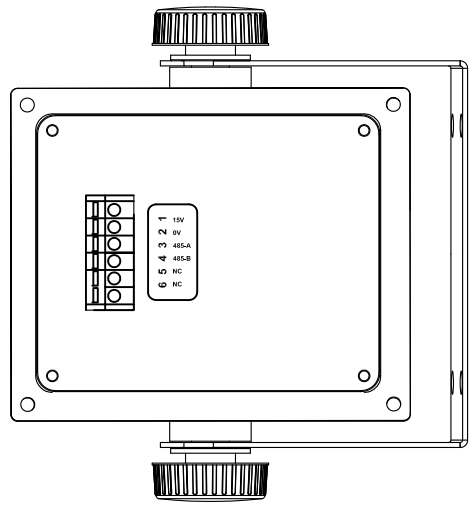
NO.	DATE	REVISION & DESCRIPTION	CHECKED	SIGNATURE
△				



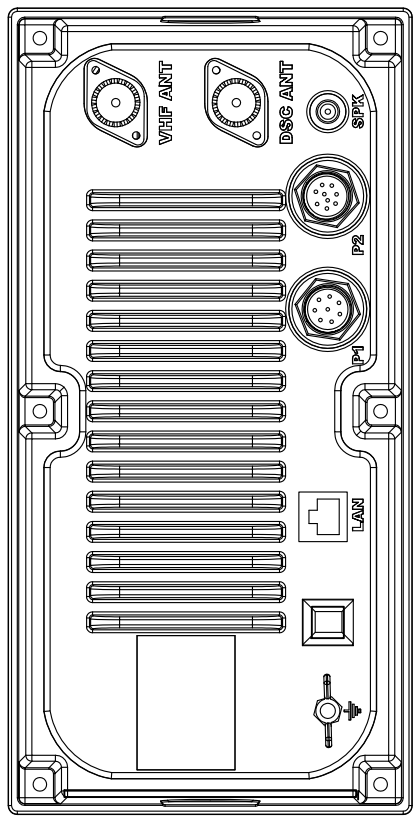
APPLICATION					NVR-3000 SYSTEM DIAGRAM				
DATE	ITEM	SCALE	UNIT	PROJ. PART NO.	SIZE	DATE	DATE	DATE	DATE
					A4				
APPROVAL	CHECKED	DRAWING	NVR3000-ID-001						
 NSR NEW SUNRISE CO., LTD.									

NO.	DATE	REVISION & DESCRIPTION	CHECKED SIGNATURE
△			

NAU-100 ALARM UNIT



NVR-3000



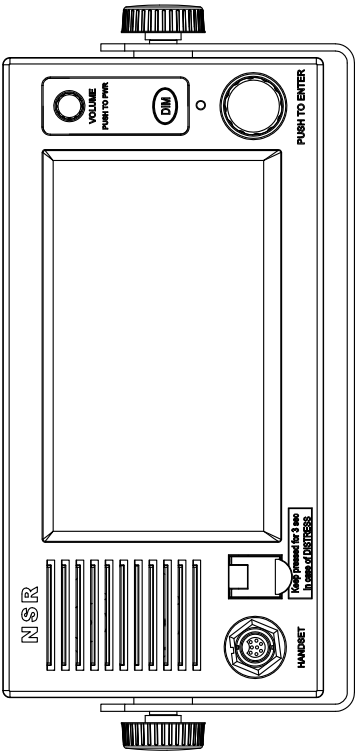
P2

OUT 15V
OUT 0V
TXA(485A)
TXB(485B)

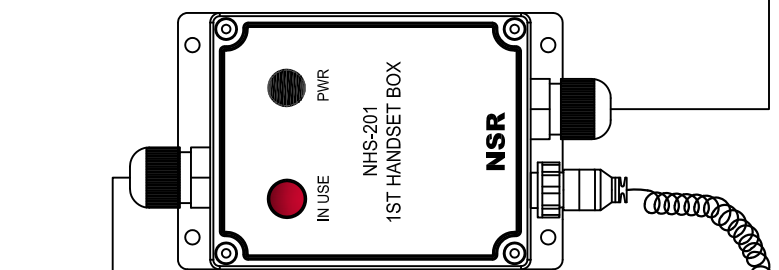
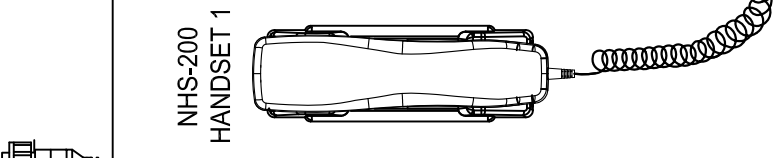
15V
0V
RXA
RXB

APPLICATION				WIRING DIAGRAM FOR ALARM UNIT			
DATE	ITEM	SCALE	UNIT	PRO. SECTION	SIZE	LA4	
APPROVAL							
CHECKED							
DRAWING							
DWG. NO.	NVR3000-ID-003			NEW SUNRISE CO., LTD.			

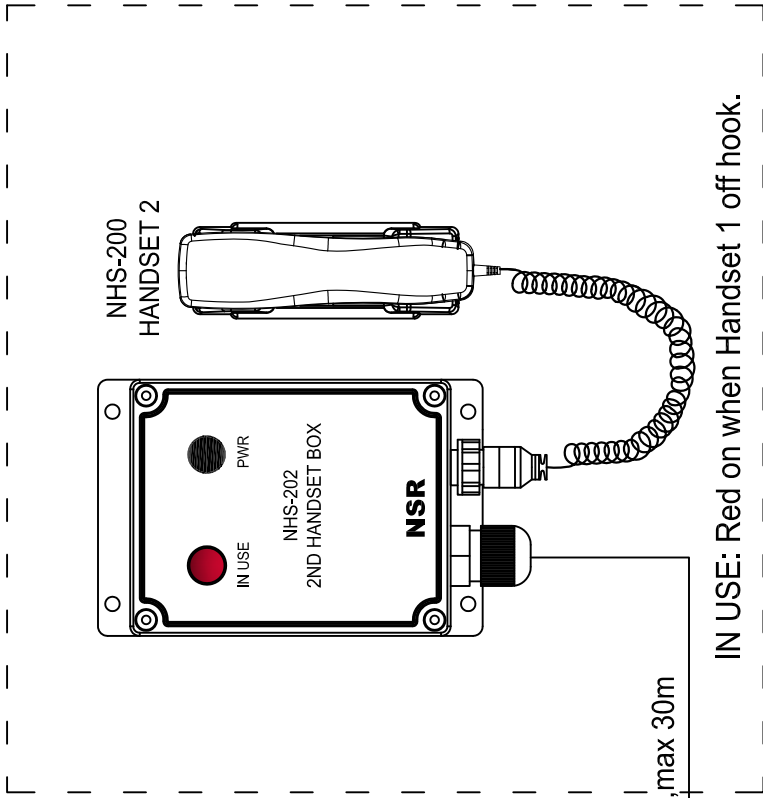
NO.		DATE	REVISION & DESCRIPTION		REVIEWED SIGNATURE	CHECKED
A						



- 1.GND
- 2.PTT
- 3.MIC
- 4.GND
- 5.SPK
- 6.HOOK
- 7.15V
- 8.GND



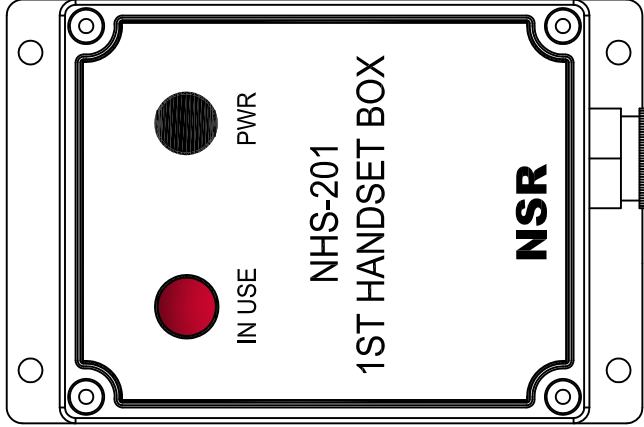
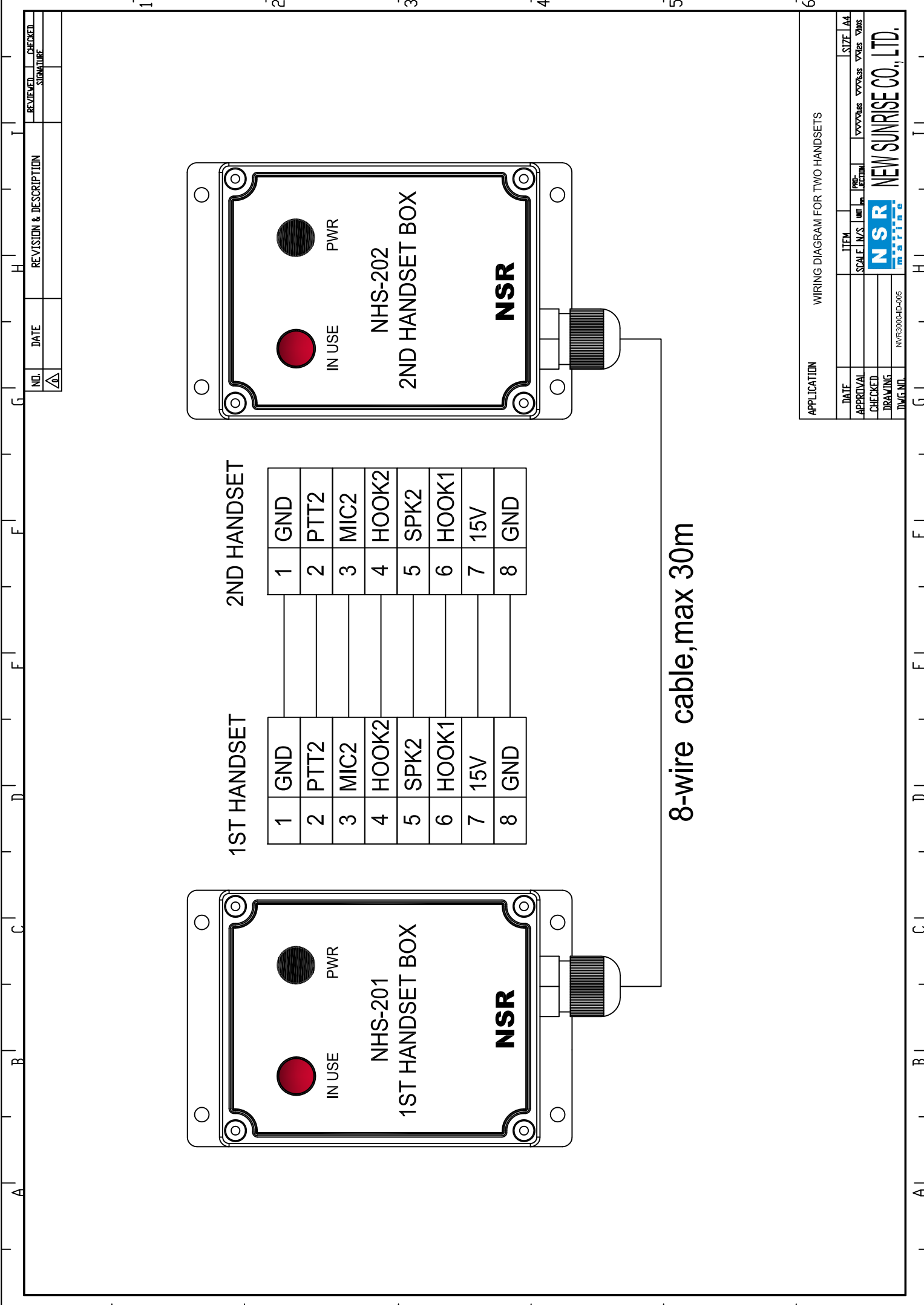
IN USE: Red on when Handset 1 or Handset 2 off hook.



IN USE: Red on when Handset 1 off hook.

IMPORTANT!
 When Handset 1 off hook, Handset 2 will be disabled.
 When Handset 2 off hook, Handset 1 off hook can still disable Handset 2.

APPLICATION						SYSTEM DIAGRAM FOR TWO HANDSETS					
DATE	ITEM	SCALE	IN/S	UNIT	PROJ. SECTION	DATE	ITEM	SCALE	IN/S	UNIT	PROJ. SECTION
APPROVAL	CHECKED	DRAWING	IMG. NO.	NSR NEW SUNRISE CO., LTD.							
NVR3000-DC-004											

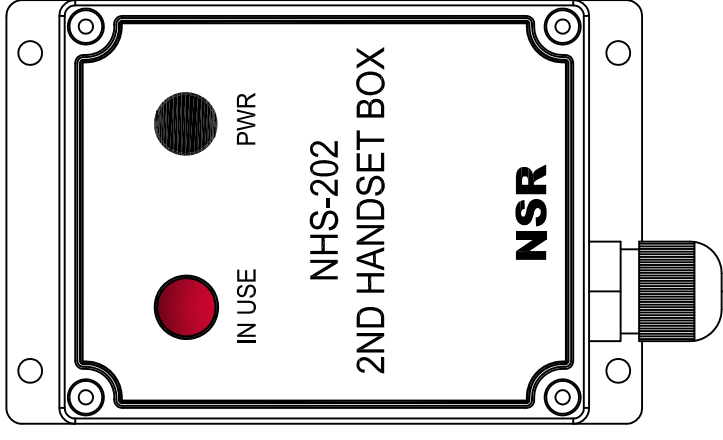


1ST HANDSET

1	GND
2	PTT2
3	MIC2
4	HOOK2
5	SPK2
6	HOOK1
7	15V
8	GND

2ND HANDSET

1	GND
2	PTT2
3	MIC2
4	HOOK2
5	SPK2
6	HOOK1
7	15V
8	GND



8-wire cable, max 30m

NO.	DATE	REVISION & DESCRIPTION	CHECKED
△			SIGNATURE

APPLICATION				WIRING DIAGRAM FOR TWO HANDSETS			
DATE	ITEM	SCALE	UNIT	PRO-SECTION	SIZE	A4	
APPROVAL	SCALE	UNIT	PRO-SECTION	DATE	DATE	DATE	DATE
CHECKED							
DRAWING							
DWG. NO.	NVR3000-ID-005						

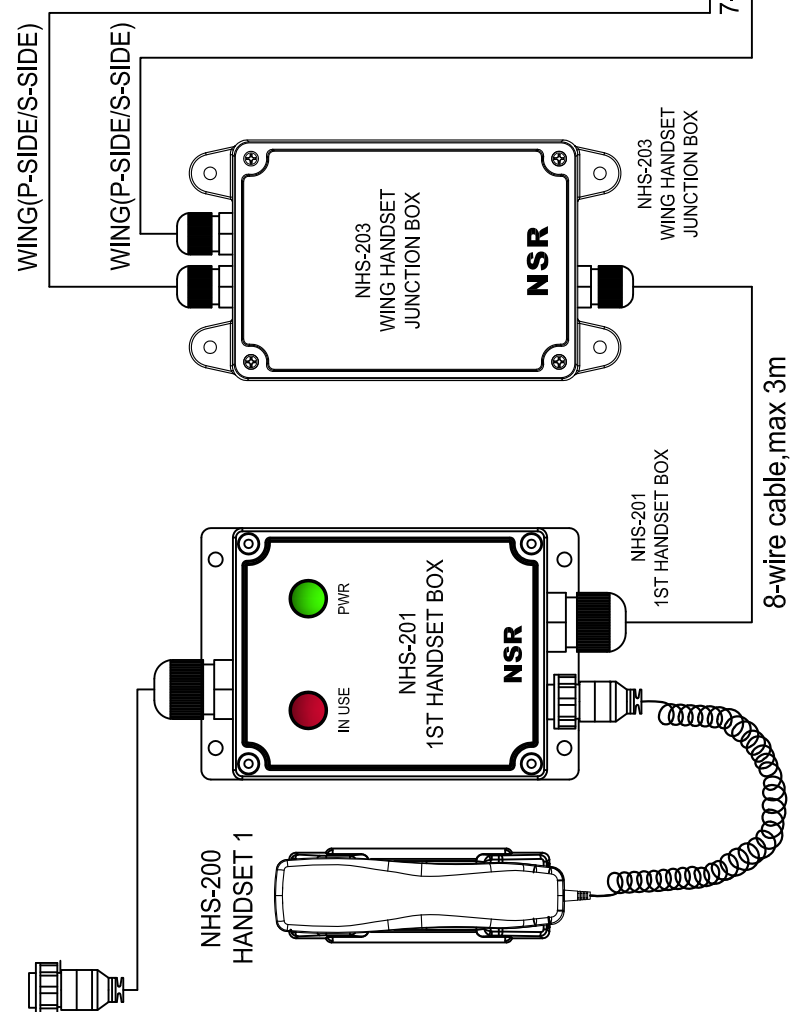
NO. DATE		REVISION & DESCRIPTION		REVIEWED	CHECKED
SIGNATURE		SIGNATURE			



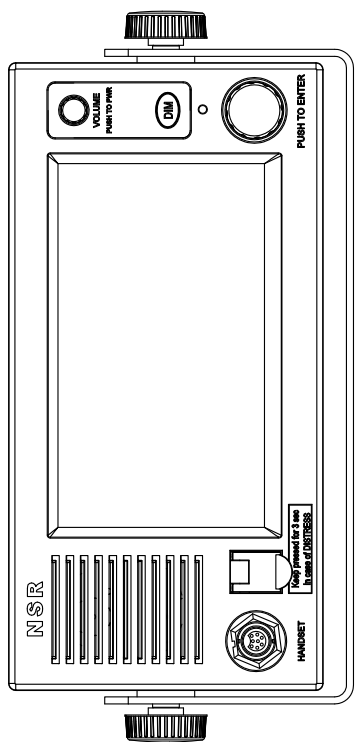
WARNING!

1. The ON/OFF switch on NHS-204 (wing handset box) should be kept off when wing handset is not connected or not used.
2. Wing handset will be disabled if main handset at NHS-201 (1st handset box) is removed.
3. Only one wing handset can be connected any time. System will be abnormal if two wing handsets are connected simultaneously.

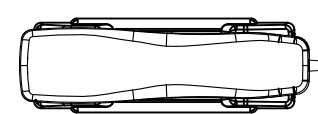
- 1.GND
- 2.PTT
- 3.MIC
- 4.GND
- 5.SPK
- 6.HOOK
- 7.15V
- 8.GND



NHS-200 HANDSET 2



NHS-200 HANDSET 1



APPLICATION						SYSTEM DIAGRAM FOR WING HANDSETS					
DATE	ITEM	SCALE	UNIT	PROJ. NO.	REV. NO.	SIZE	DRAWING NO.				
						A4	NVR3000-ID-006				
APPROVAL	CHECKED	DRAWING	NEW SUNRISE CO., LTD.								

NO.	DATE	REVISION & DESCRIPTION	CHECKED	SIGNATURE
△				

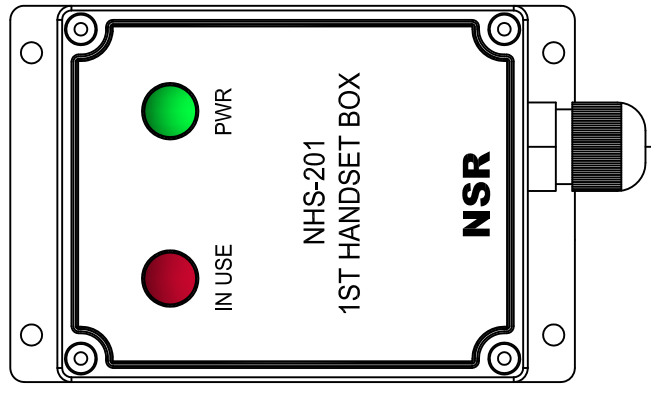
NHS-204
WING HANDSET
BOX NO.2

6-wire cable, Max 20m

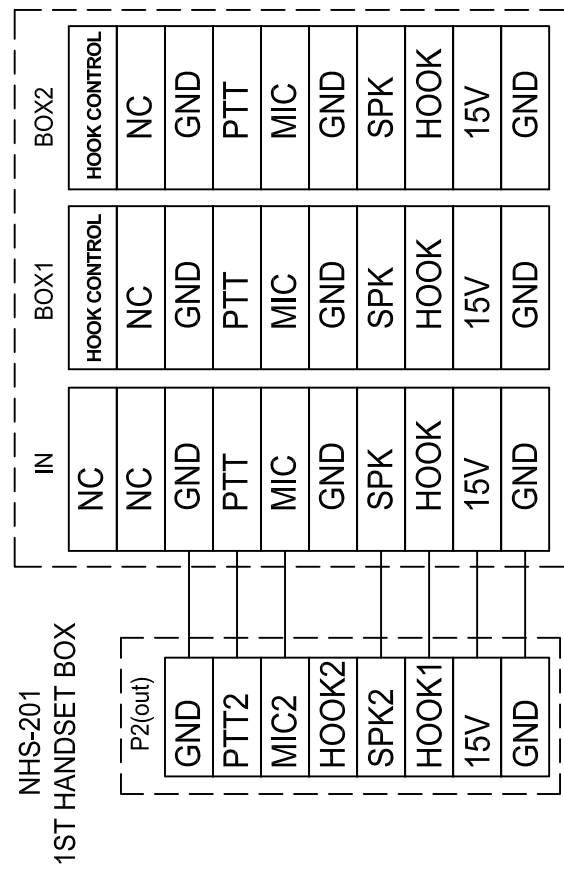
NHS-204
WING HANDSET
BOX NO.1

7-wire cable Max 20m

NHS-201
1ST HANDSET BOX



NHS-203
WING HANDSET JUNCTION BOX



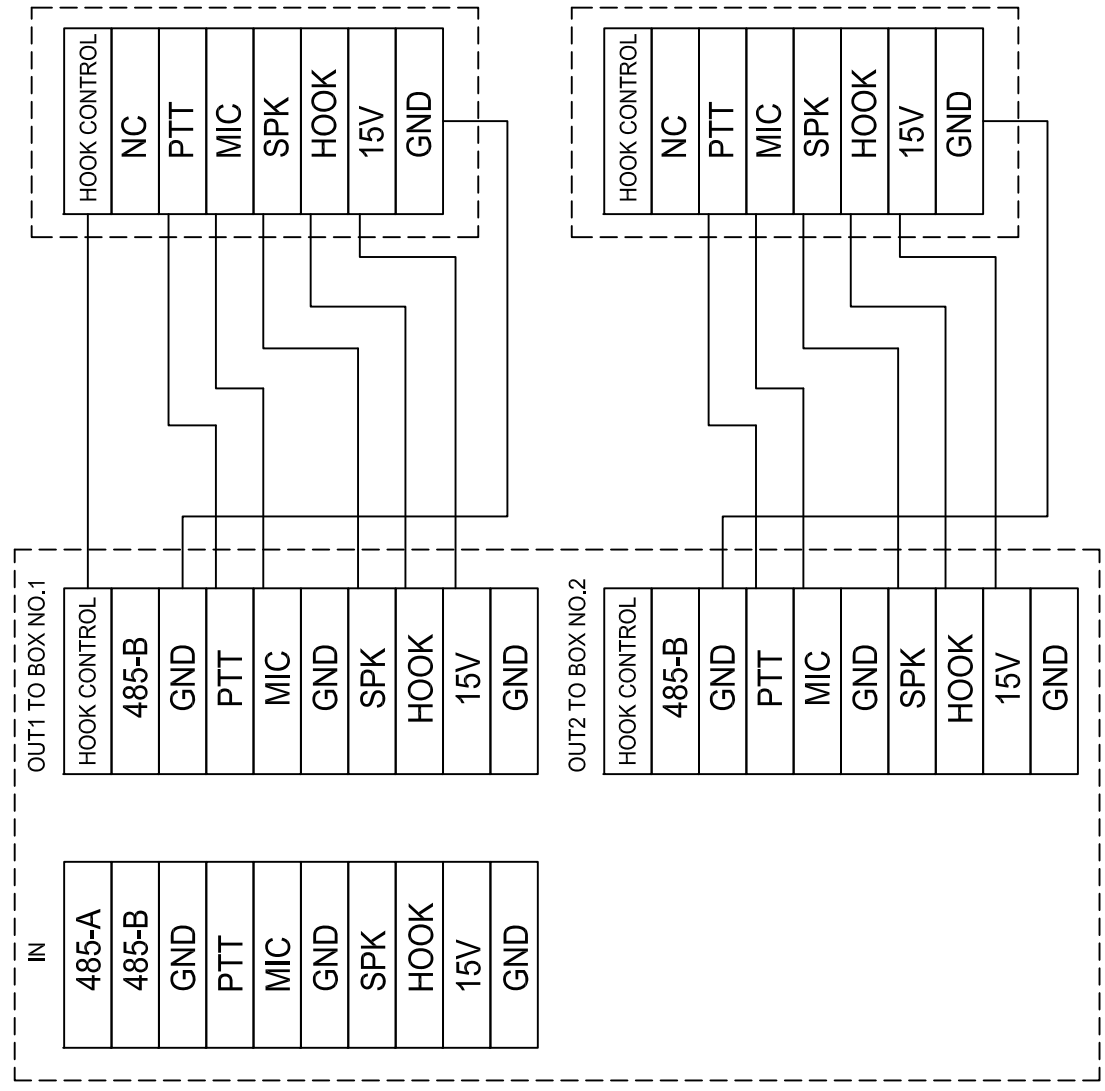
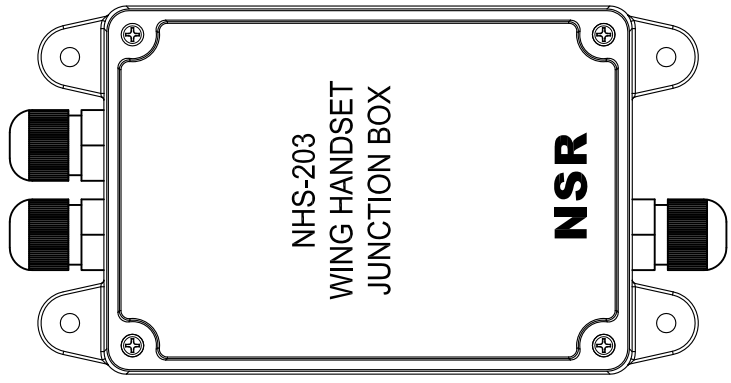
NHS-203
WING HANDSET
JUNCTION BOX

8-wire cable, max 3m

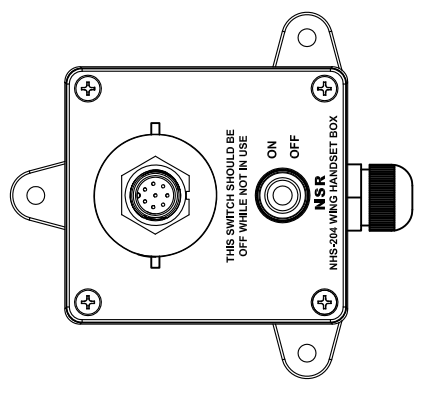
APPLICATION: WIRING DIAGRAM FOR WING HANDSETS

DATE	ITEM	SCALE	UNIT	PRO. SECTION	SIZE
		1/1	mm		A4
APPROVAL	CHECKED	DRAWING	IMG. NO.	NVR3000-ID-007	
				NEW SUNRISE CO., LTD.	

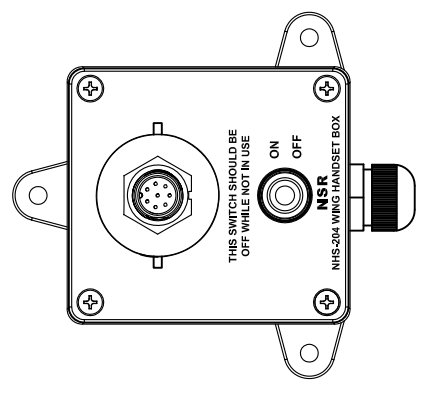
NHS-203
WING HANDSET JUNCTION BOX



NHS-204
WING HANDSET BOX NO.1



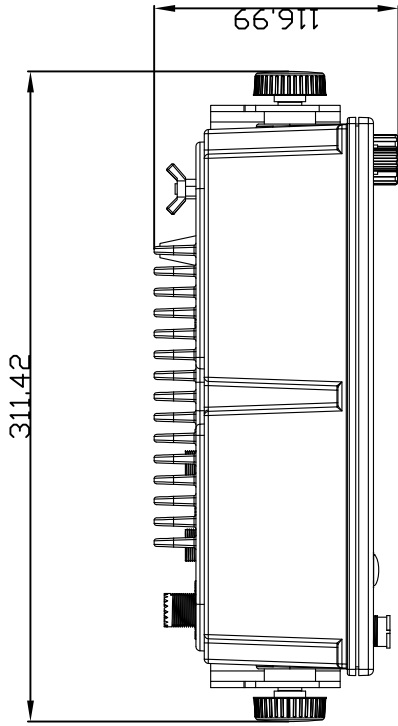
NHS-204
WING HANDSET BOX NO.2



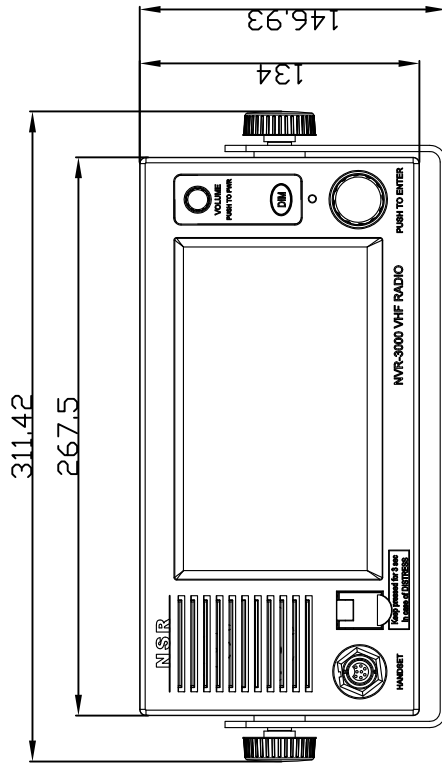
APPLICATION NHS-203 TO NHS-204 CONNECTION DIAGRAM

DATE	ITEM	SCALE	UNIT	PRO. PART NO.	SIZE
APPROVAL	SCALE	IN/S	UNIT	PRO. PART NO.	SIZE
CHECKED	DATE	DATE	DATE	DATE	DATE
DRAWING	DRAWING	DRAWING	DRAWING	DRAWING	DRAWING
DRAWING NO. NVR3000-ID-008					

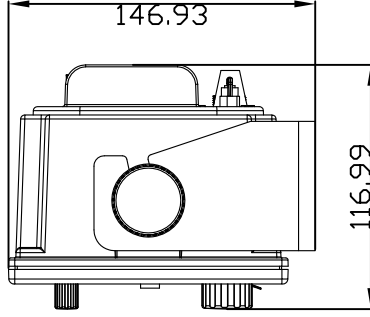
NSR
NEW SUNRISE CO., LTD.



TOP VIEW




FRONT VIEW

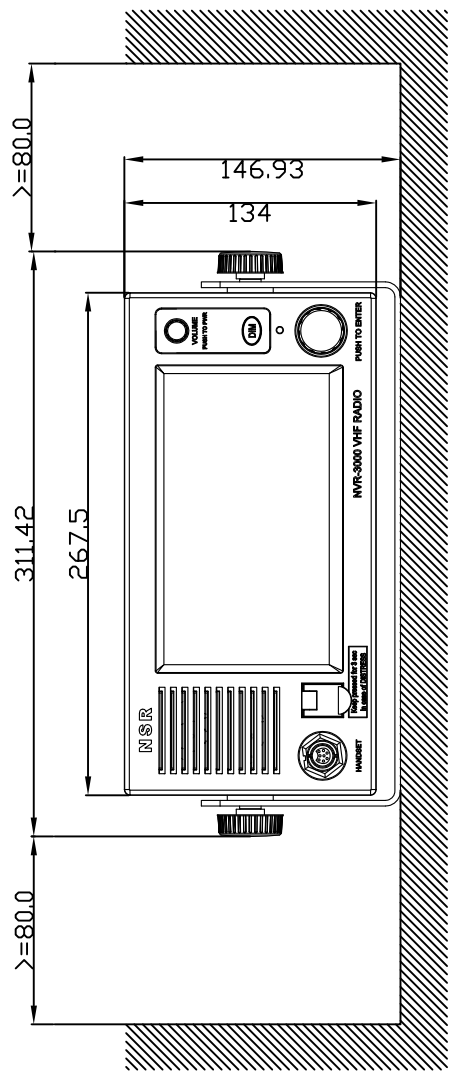


SIDE VIEW

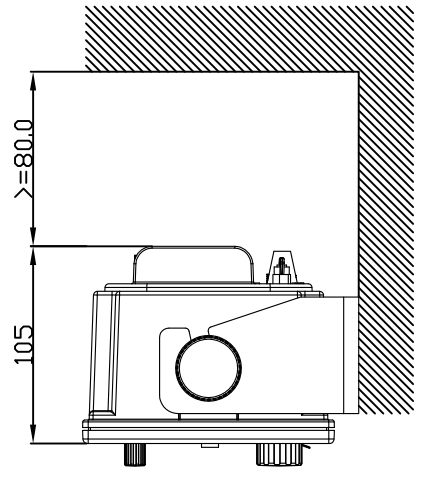
NO.	DATE	REVISION & DESCRIPTION	REVIEWED SIGNATURE	CHECKED SIGNATURE
△				

APPLICATION NVR-3000 DIMENSION DRAWING				
DATE	ITEM	SCALE	UNIT	SIZE
		1:1	mm	A4
APPROVAL	CHECKED	DRAWING	DATE	SCALE
				1:1
 NSR NEW SUNRISE CO., LTD. m a p i n e				
DRAWING NO. NVR3000-ID-009				

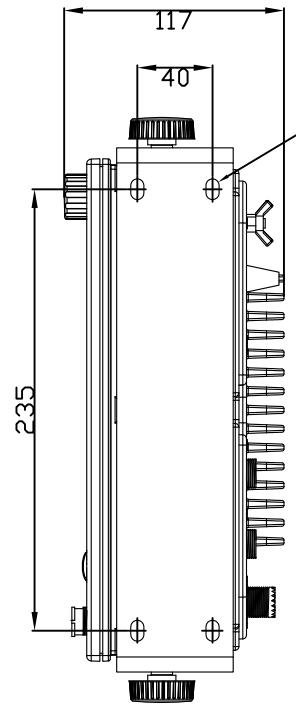
NO.	DATE	REVISION & DESCRIPTION	REVIEWED SIGNATURE	CHECKED SIGNATURE
△				



FRONT VIEW



SIDE VIEW

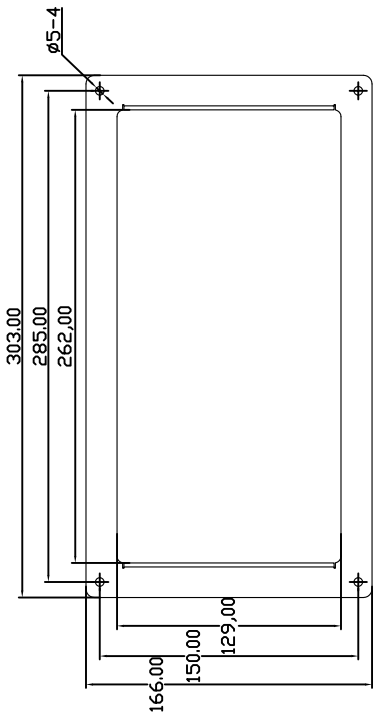
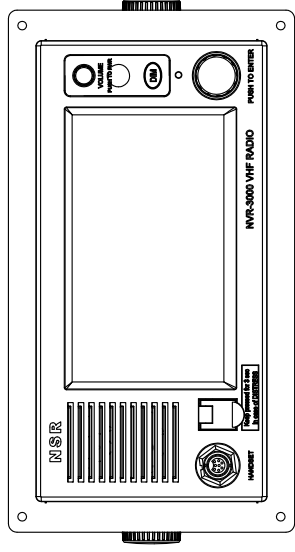
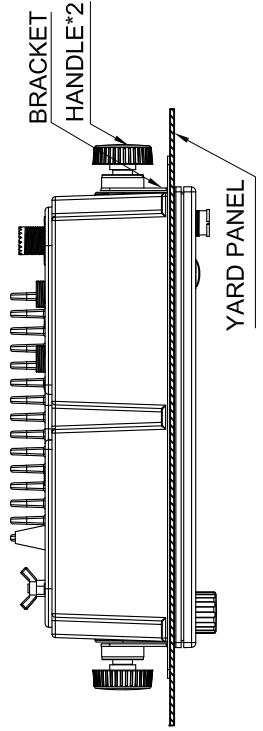
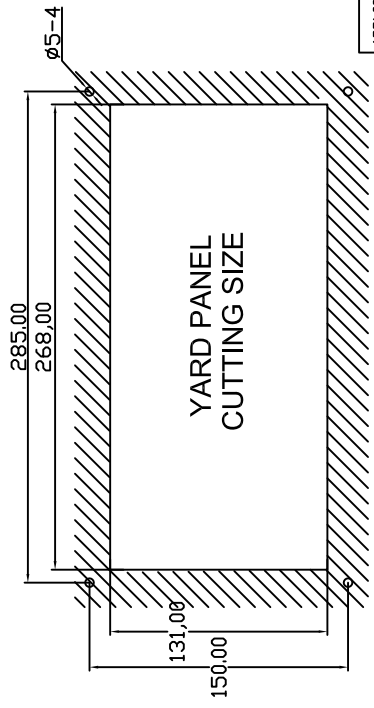
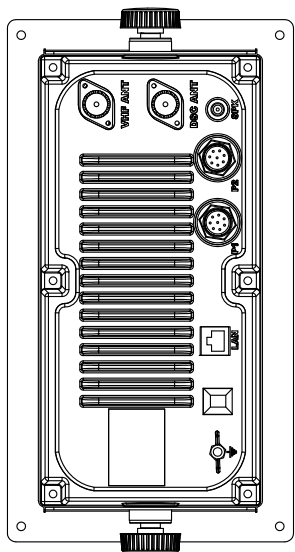
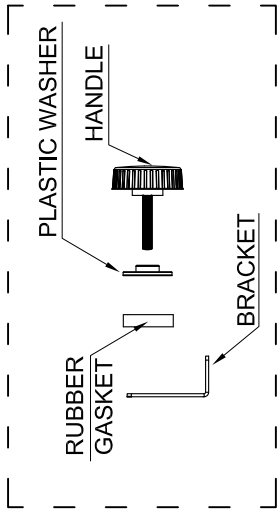
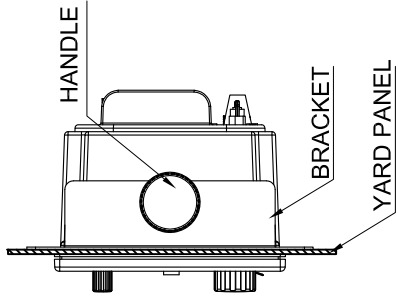
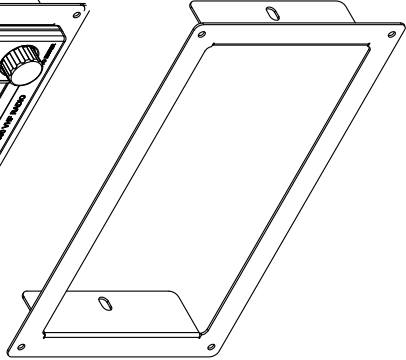
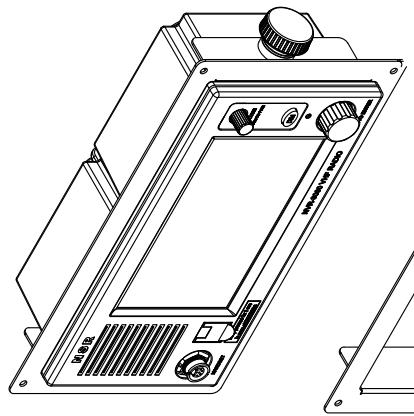


BOTTOM VIEW

NOTE: TABLE TYPE
 1. USE SELF-TAPPING SCREWS M5X20 FOR FIXING THE UNIT.
 2. 80MM IS MINIMUM SPACE FOR OPERATION AND CABLING.

APPLICATION NVR-3000 MOUNTING DRAWING (TABLE TYPE)				
DATE	ITEM	SCALE	UNIT	SIZE
		1:1	mm	A4
APPROVAL	DESIGN	PROJ. NO.	REV. NO.	DATE
CHECKED	DRAWING		DRAWING	
DRAWING NO. NVR3000D-010				
NEW SUNRISE CO., LTD. <small>mounting</small>				

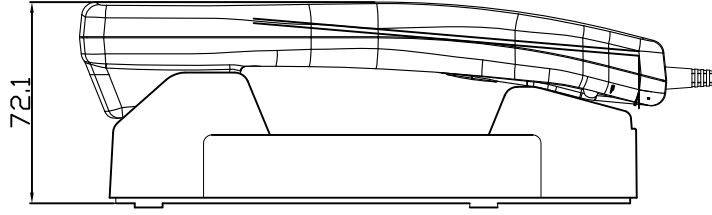
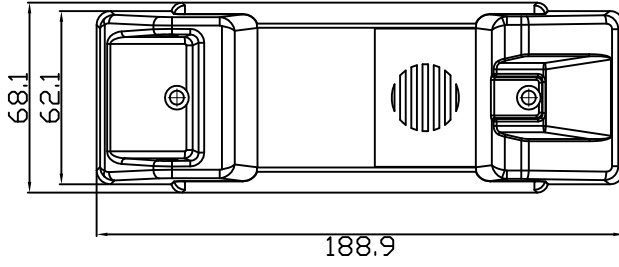
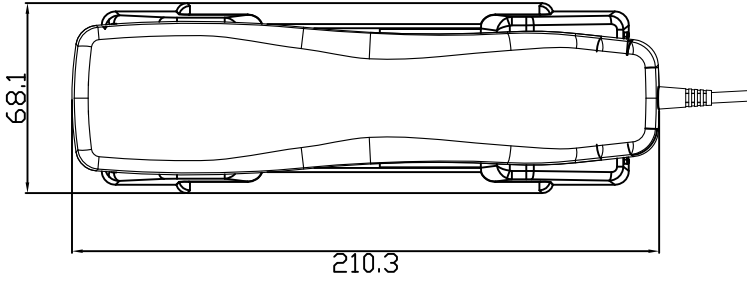
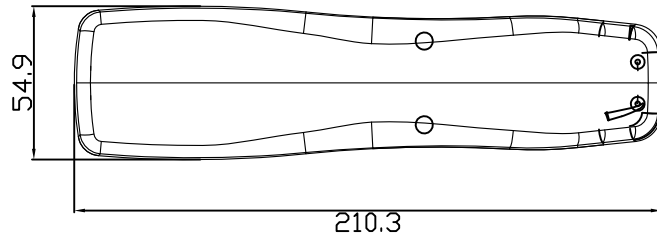
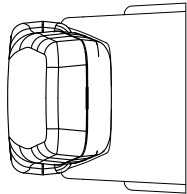
NO.	DATE	REVISION & DESCRIPTION	REVIEWED	CHECKED
▲				



MOUNTING BRACKET SIZE

APPLICATION NVR-3000 MOUNTING DRAWING (FLUSH TYPE)				
DATE	ITEM	SCALE	UNIT	SIZE
		1:1	mm	A4
APPROVAL	DESIGN	PROJ.	SECTION	DATE
CHECKED				
DRAWING				
IMG. NO.	NVR3000-ID-011			

NSR NEW SUNRISE CO., LTD.



APPLICATION

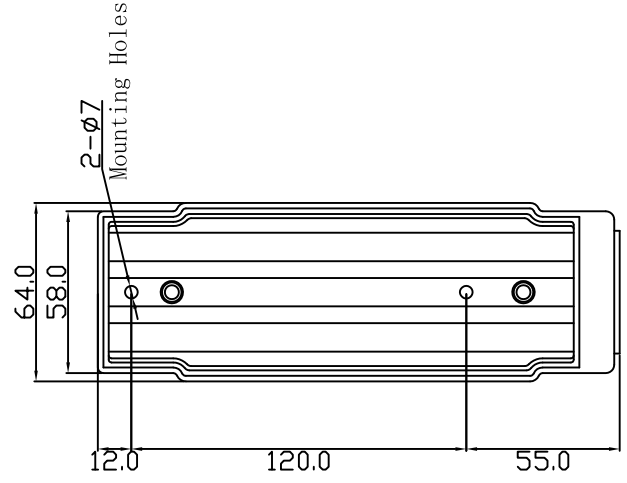
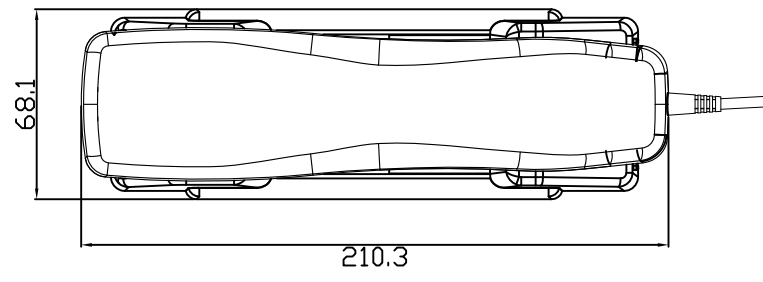
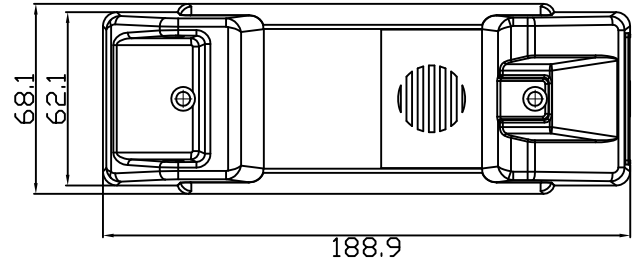
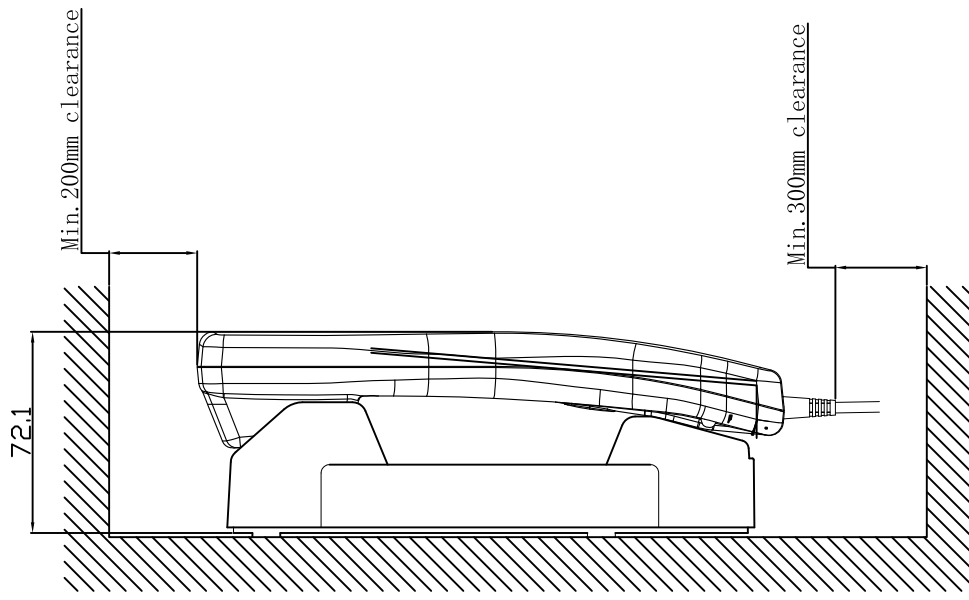
HANDSET SIZE DRAWING

DATE	ITEM	NHR-1500	SIZE	A4
APPROVAL	SCALE	1/1	UNIT	mm
CHECKED				
DRAWING				
DWG NO.				



NEW SUNRISE CO., LTD.

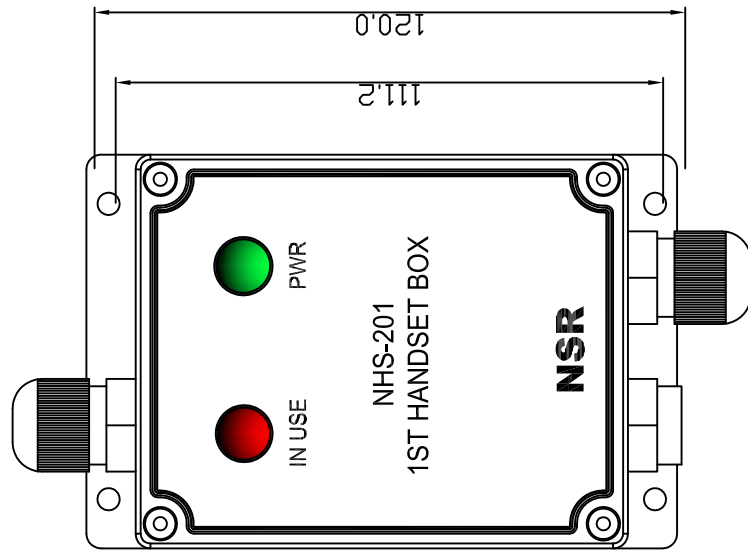
NVR3000-ID-012



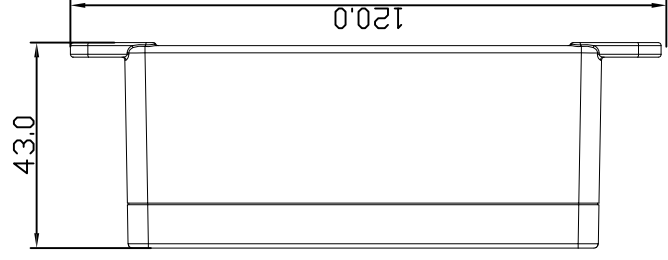
APPLICATION **HANDSET MOUNTING DRAWING**

DATE	ITEM	NHR-1500	SIZE	A4
APPROVAL	SCALE	1/1	UNIT	mm
CHECKED	DRAWING	NEW SUNRISE CO., LTD. <small>marine</small>		
DWG NO.	NVR3000-ID-013			

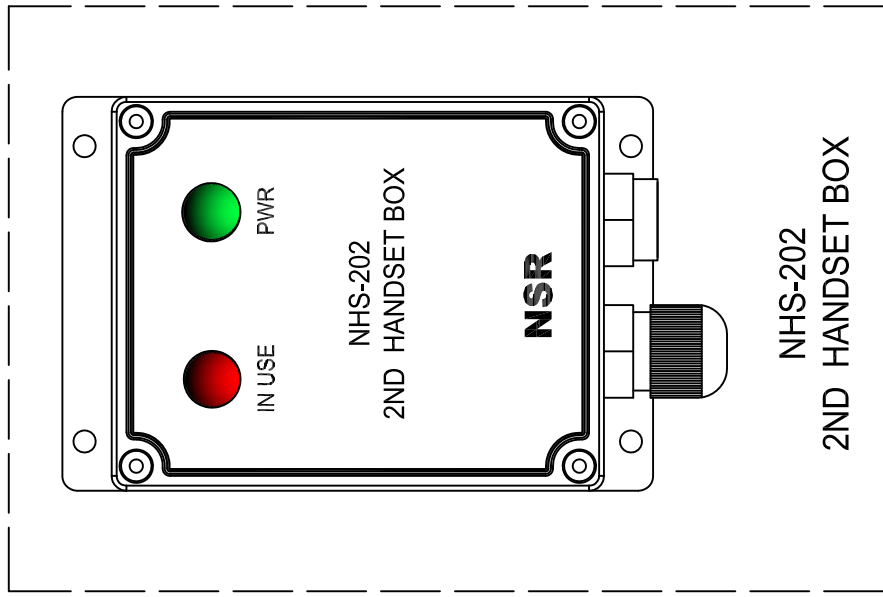
NO.	DATE	REVISION & DESCRIPTION	CHECKED
△			SIGNATURE



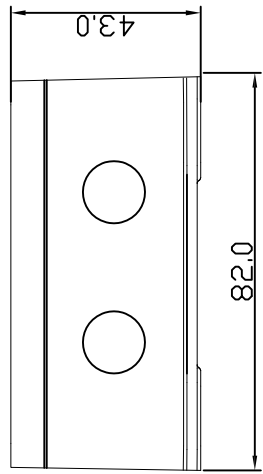
FRONT VIEW



SIDE VIEW



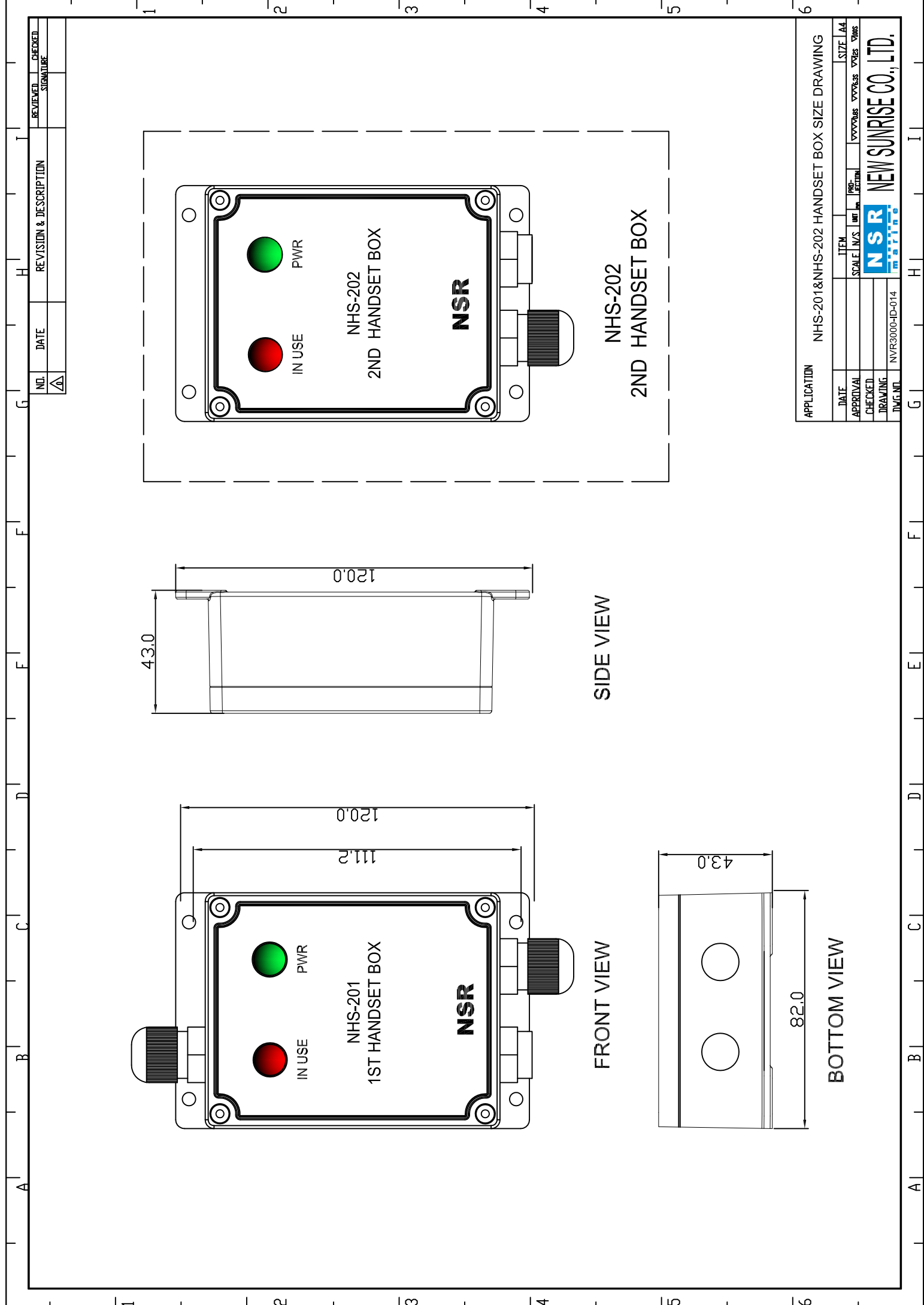
NHS-202
2ND HANDSET BOX

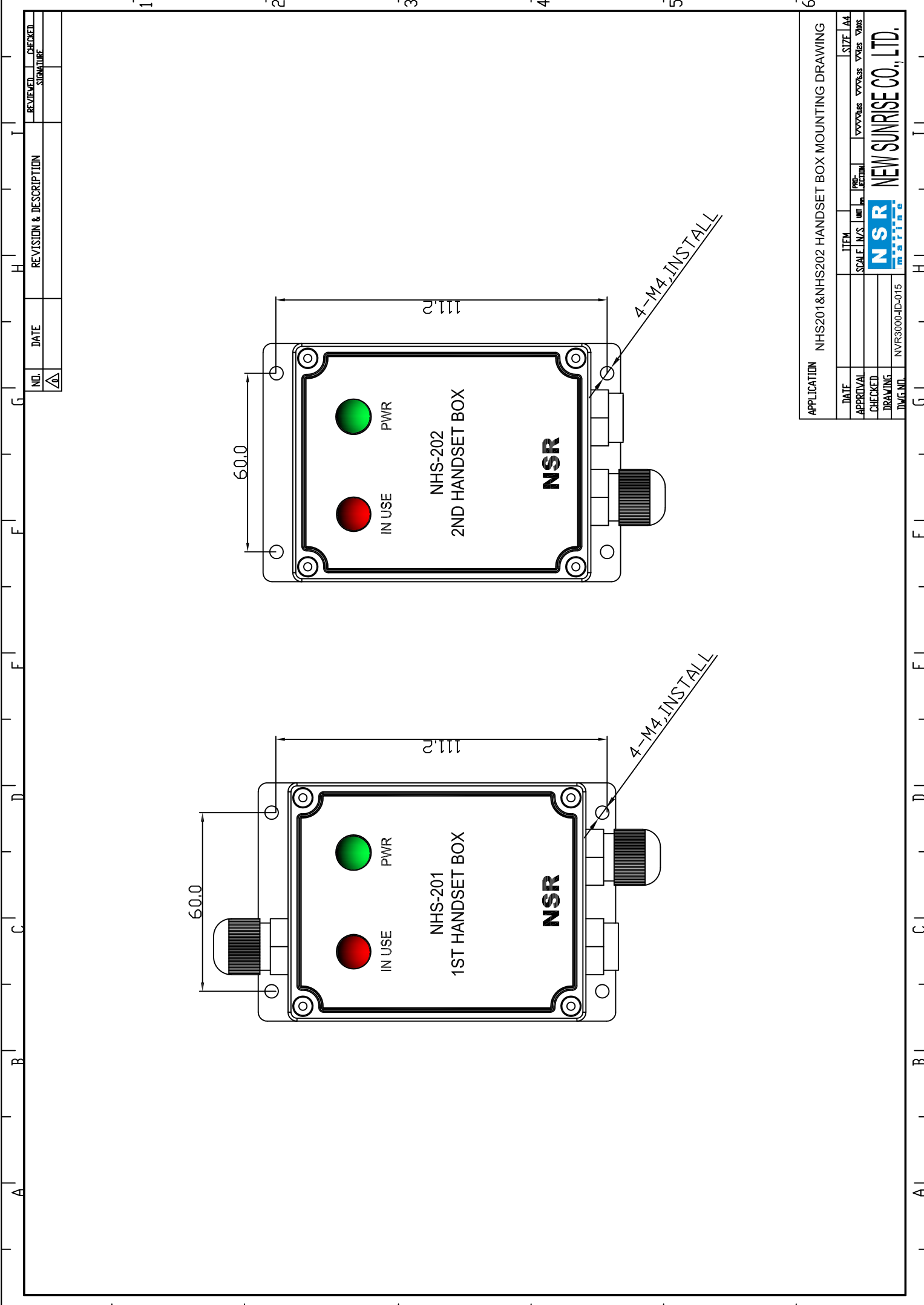


BOTTOM VIEW

APPLICATION		NHS-201&NHS-202 HANDSET BOX SIZE DRAWING			
DATE	ITEM	SCALE	UNIT	PROJ. SECTION	SIZE
APPROVAL	SCALE	IN/S	MM		A4
CHECKED					
DRAWING					
IMG. NO.	NVR3000-ID-014				

NSR **NEW SUNRISE CO., LTD.**
new sunrise

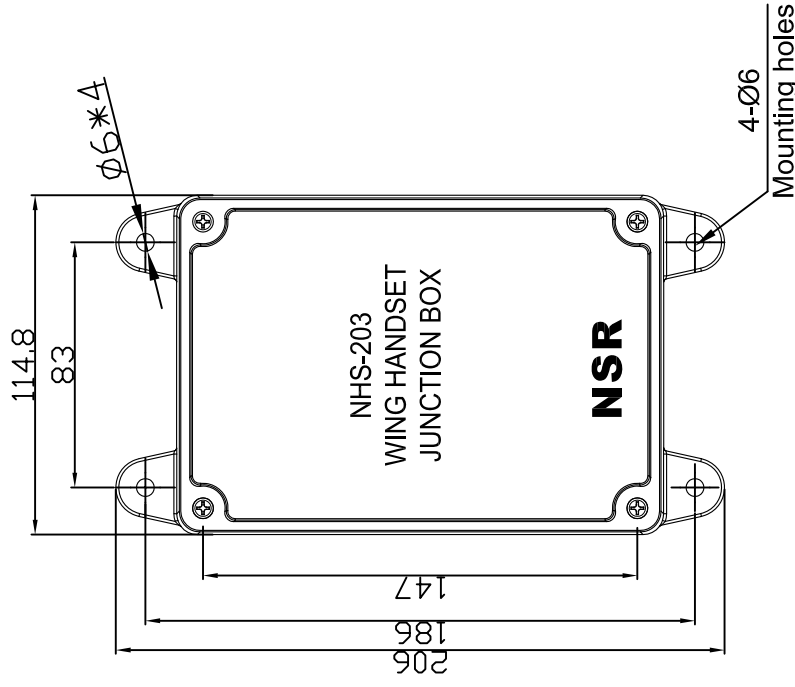




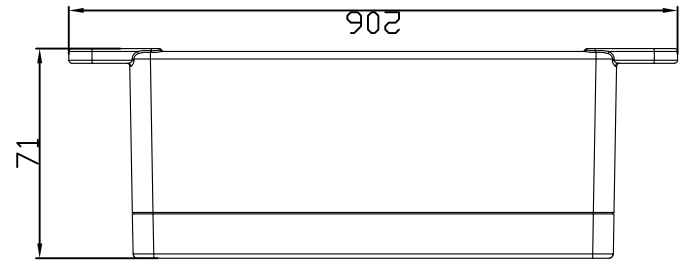
NO.	DATE	REVISION & DESCRIPTION	CHECKED SIGNATURE
△			

APPLICATION				NHS201&NHS202 HANDSET BOX MOUNTING DRAWING			
DATE	ITEM	SCALE	UNIT	PROJ. NO.	SECTION	SIZE	APP. NO.
						A4	
APPROVAL	CHECKED	DRAWING	IMG. NO.	NEW SUNRISE CO., LTD.			
				NVR3000-ID-015			

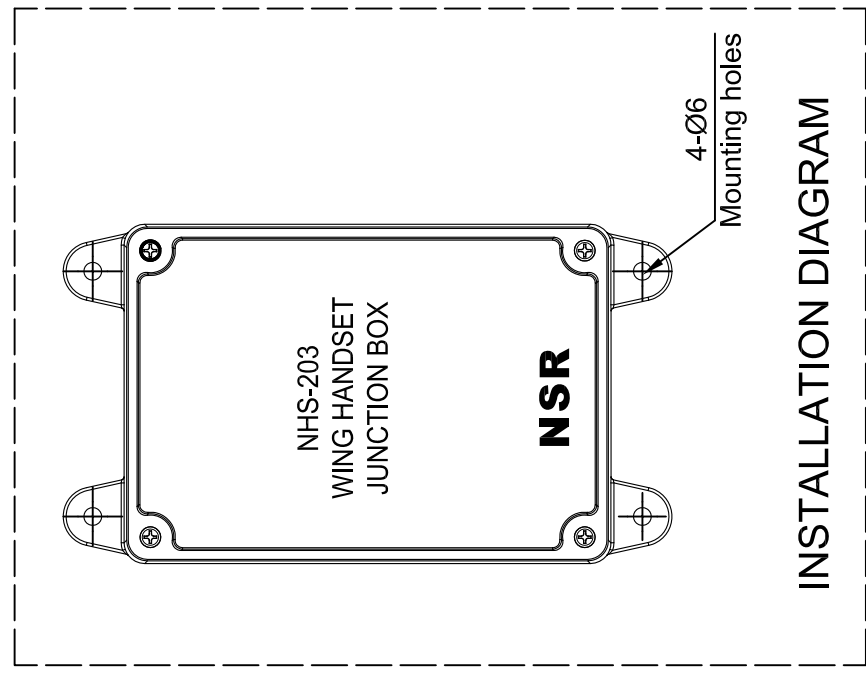
NO.	DATE	REVISION & DESCRIPTION	REVIEWED SIGNATURE	CHECKED SIGNATURE
△				



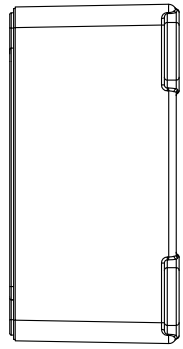
FRONT VIEW



SIDE VIEW



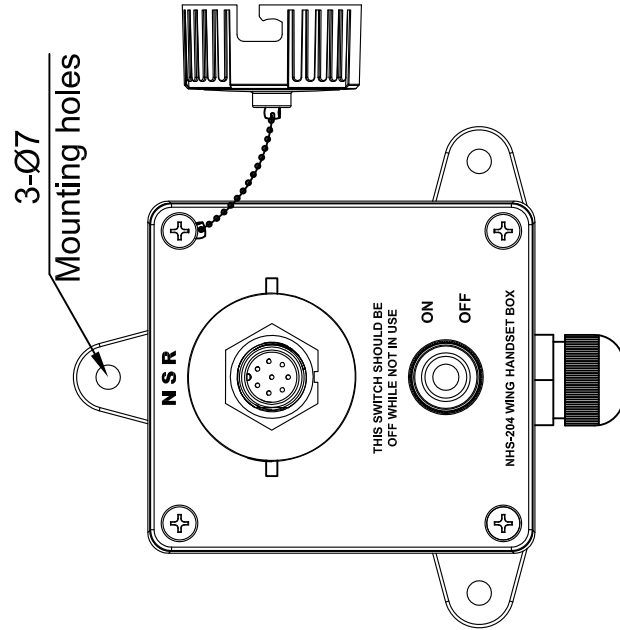
INSTALLATION DIAGRAM



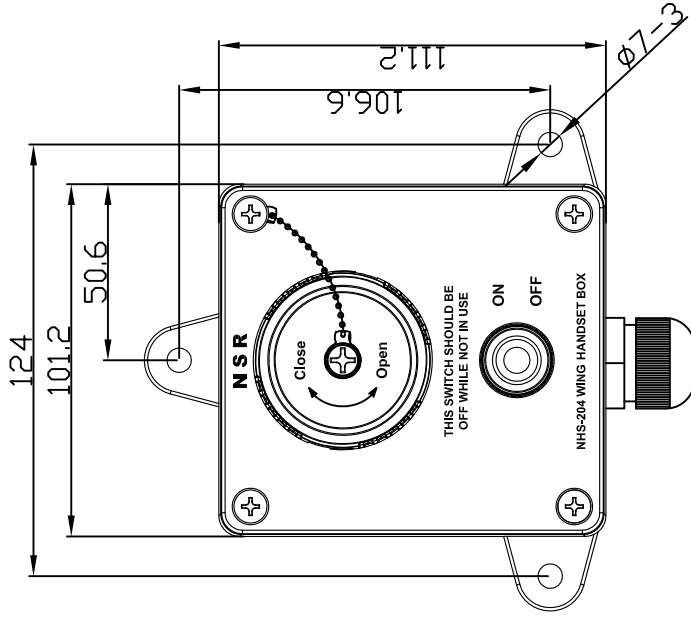
BOTTOM VIEW

APPLICATION					NHS-203 WING HANDSET JUNCTION BOX SIDE DRAWING				
DATE	ITEM	SCALE	UNIT	PROJ. SECTION	SIZE	L A4			
		1/10	mm						
APPROVAL	CHECKED	DRAWING	DRAWING NO.		NVR3000-ID-016				

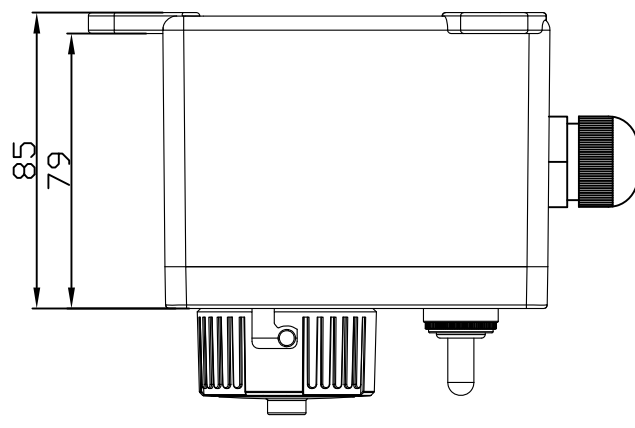
NO. DATE		REVISION & DESCRIPTION		REVIEWED SIGNATURE	CHECKED SIGNATURE
A		B		C	
D		E		F	
G		H		I	



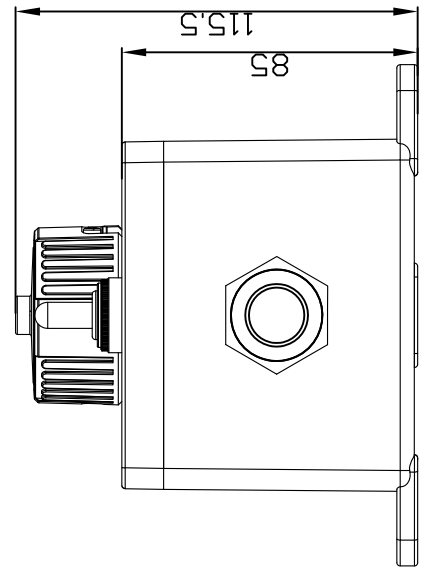
INSTALLATION DIAGRAM



FRONT VIEW



SIDE VIEW

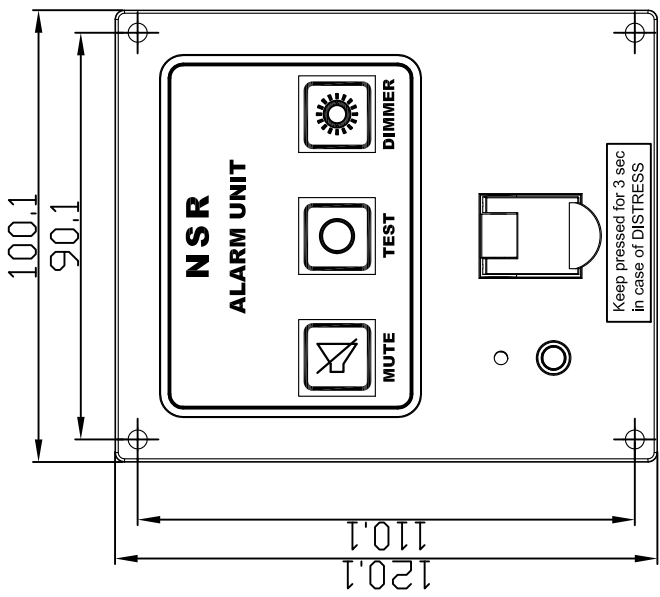


BOTTOM VIEW

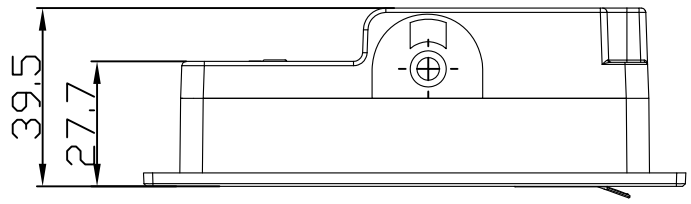
APPLICATION NHS-204 WING HANDSET BOX SIZE DRAWING					
DATE	ITEM	SCALE	UNIT	PROJ. SECTION	SIZE
APPROVAL	SCALE	IN/S	MM	1/4	A4
CHECKED	DATE	1/1/00	1/1/00	1/1/00	1/1/00
DRAWING					
DWG. NO.	NVR3000-ID-017				

A	B	C	D	E	F	G	H	I
---	---	---	---	---	---	---	---	---

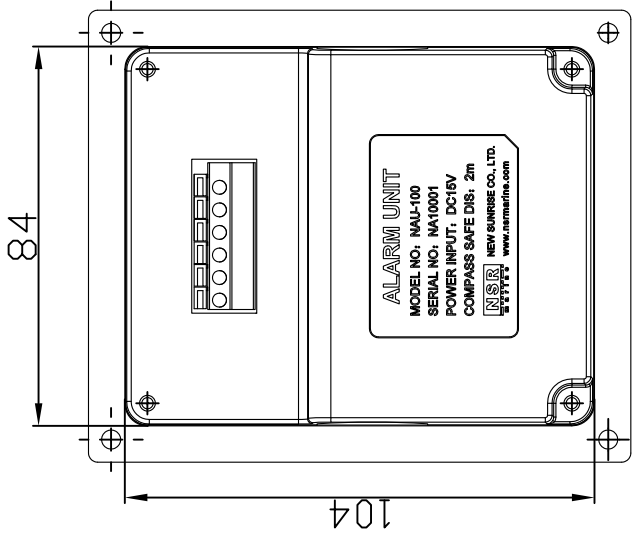
NO.	DATE	REVISION & DESCRIPTION	REVIEWED SIGNATURE	CHECKED SIGNATURE



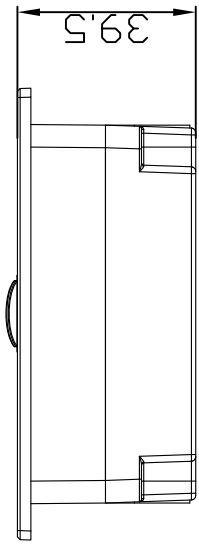
FRONT VIEW



SIDE VIEW



REAR VIEW

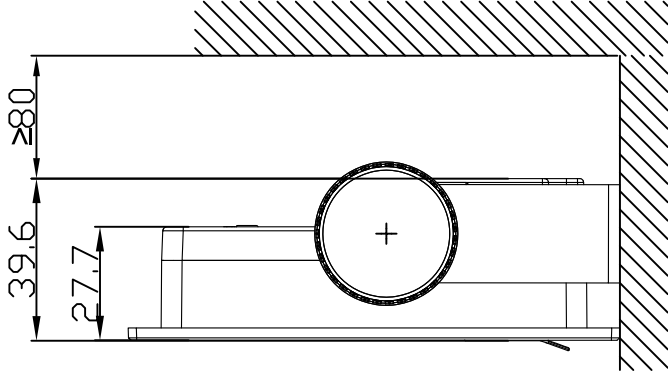


BOTTOM VIEW

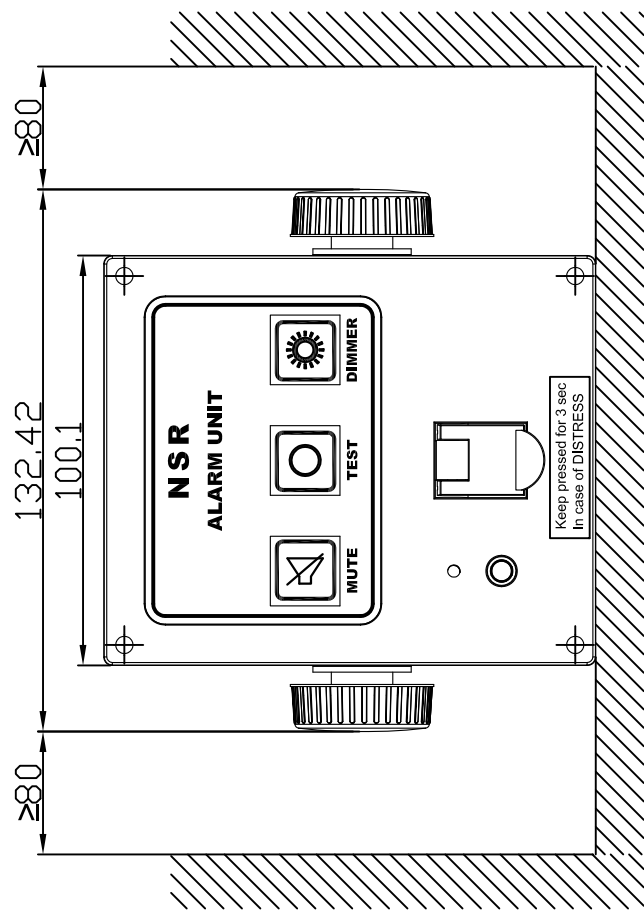
APPLICATION		NAU-100 ALARM UNIT SIZE DRAWING		
DATE	ITEM	SCALE	UNIT	SIZE
APPROVAL	SCALE	UNIT	PROJ. SECTION	SIZE
CHECKED				
DRAWING	DRAWING		DRAWING	
DWG. NO.	NVR3000-ID-018		NEW SUNRISE CO., LTD.	

A B C D E F G H I 1 2 3 4 5 6

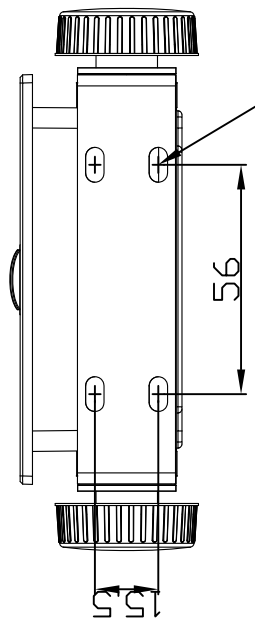
NO.		DATE	REVISION & DESCRIPTION	REVIEWED SIGNATURE	CHECKED SIGNATURE
-----	--	------	------------------------	--------------------	-------------------



SIDE VIEW



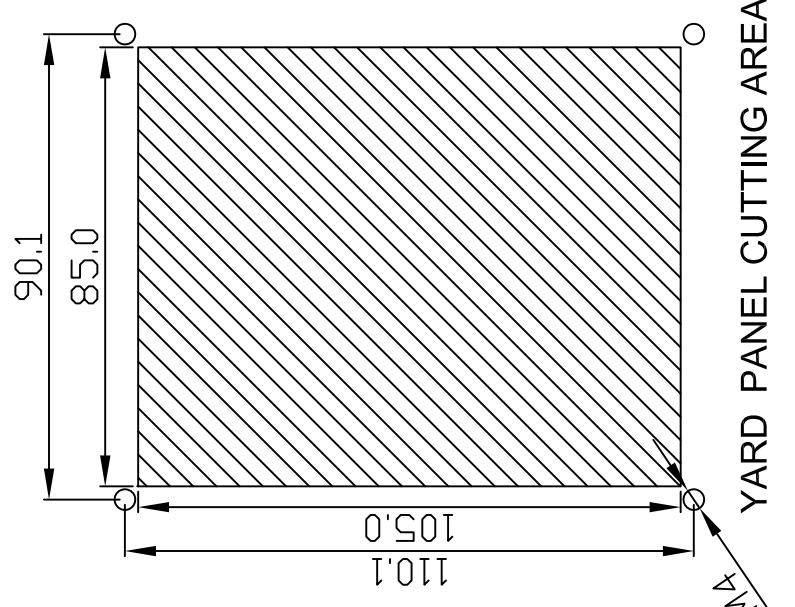
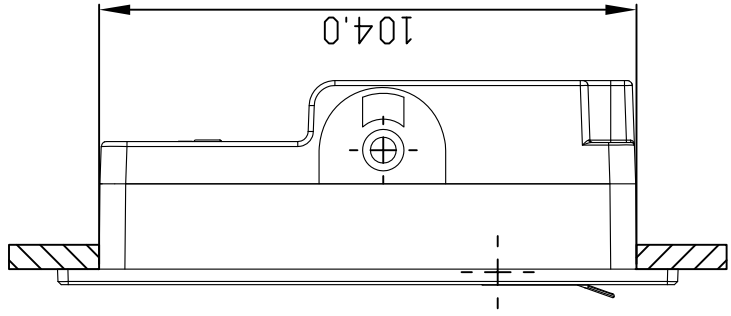
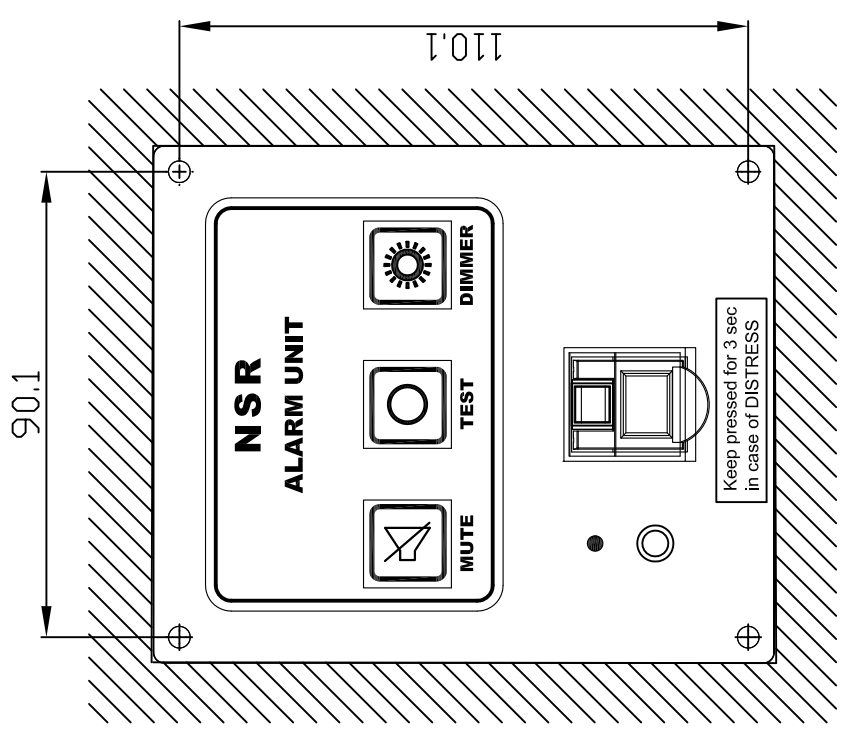
FRONT VIEW



BOTTOM VIEW

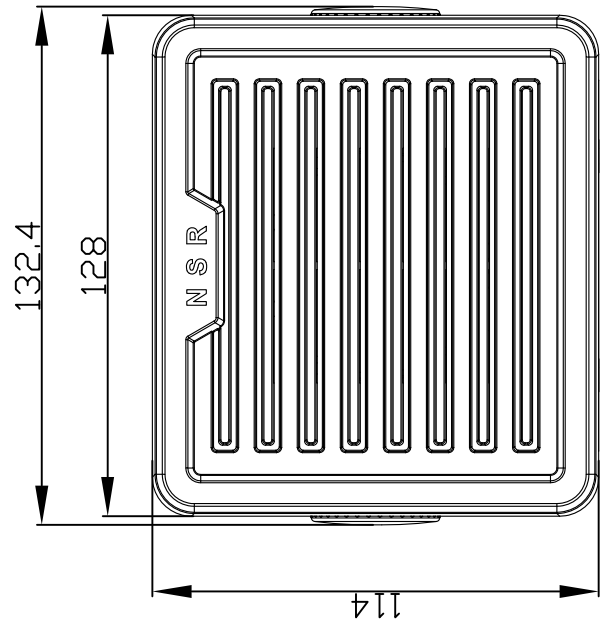
APPLICATION NAU-100 ALARM UNIT MOUNTING DRAWING (TABLE TYPE)					
DATE	ITEM	SCALE	UNIT	PROJ. SECTION	SIZE
APPROVAL	SCALE	IN/S	MM	SECTION	NAU-100
CHECKED					VS
DRAWING					VS
DRAWING NO. NVR3000-ID-019					
NSR NEW SUNRISE CO., LTD. m a p i n e					

NO.	DATE	REVISION & DESCRIPTION	CHECKED SIGNATURE
△			

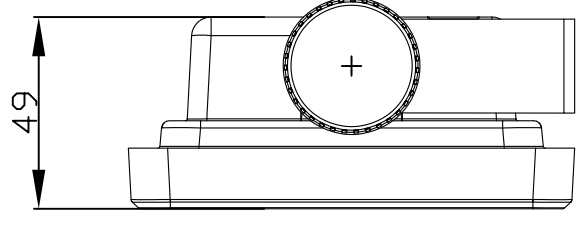


APPLICATION		NAU-100 ALARM UNIT MOUNTING DRAWING (FLUSH TYPE)	
DATE	ITEM	SCALE	SIZE
APPROVAL	IN/S	UNIT	LA4
CHECKED	PROJ. NO.	SECTION	DATE
DRAWING	NSR		NEW SUNRISE CO., LTD.
IMG. NO.	NVR3000-ID-020		

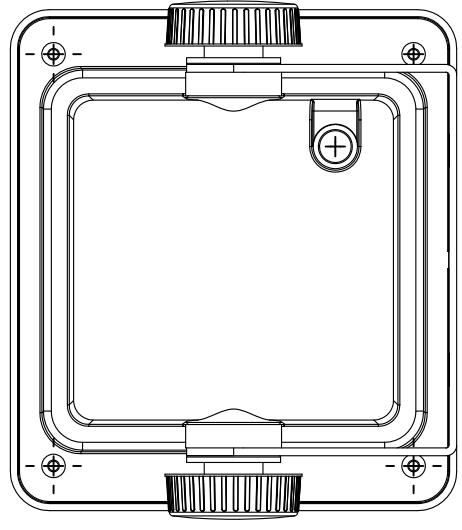
NO.	DATE	REVISION & DESCRIPTION	REVIEWED SIGNATURE	CHECKED SIGNATURE
△				



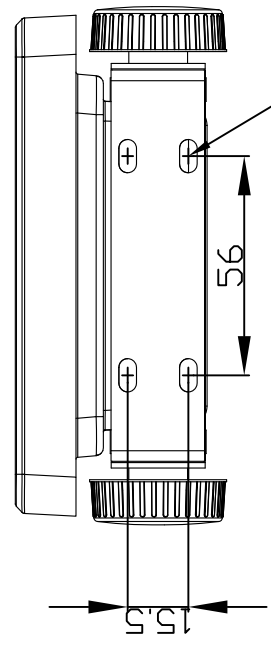
FRONT VIEW



SIDE VIEW



REAR VIEW

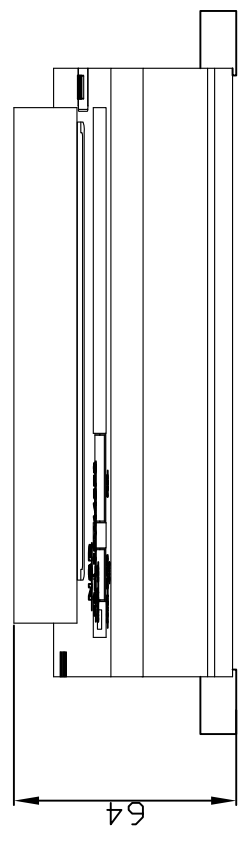
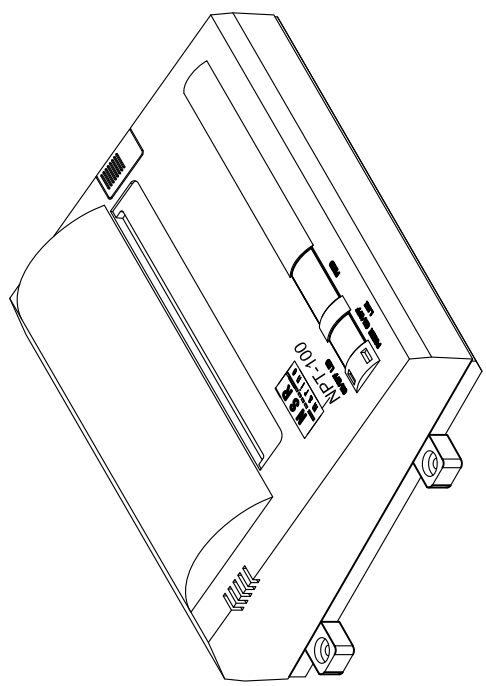
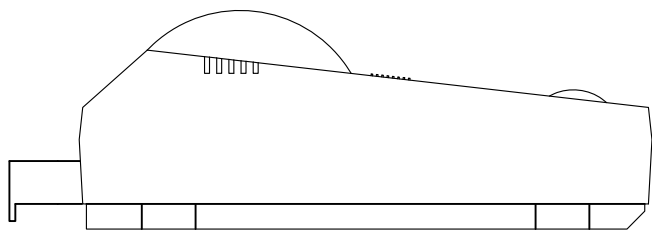
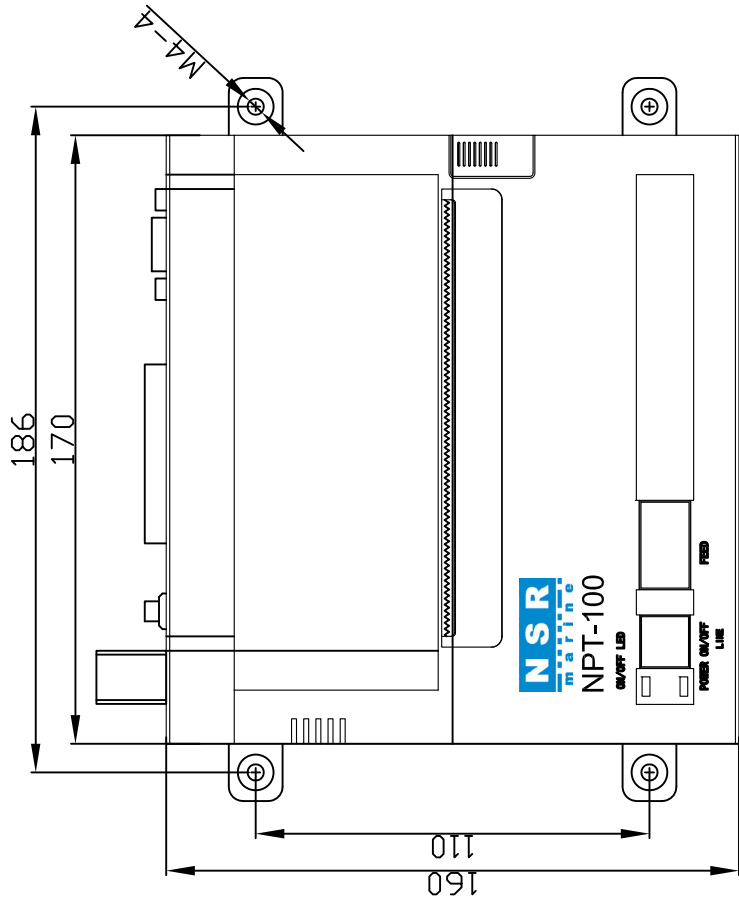


BOTTOM VIEW

4-4.5x8.5 SLOT, FITTING HOLE

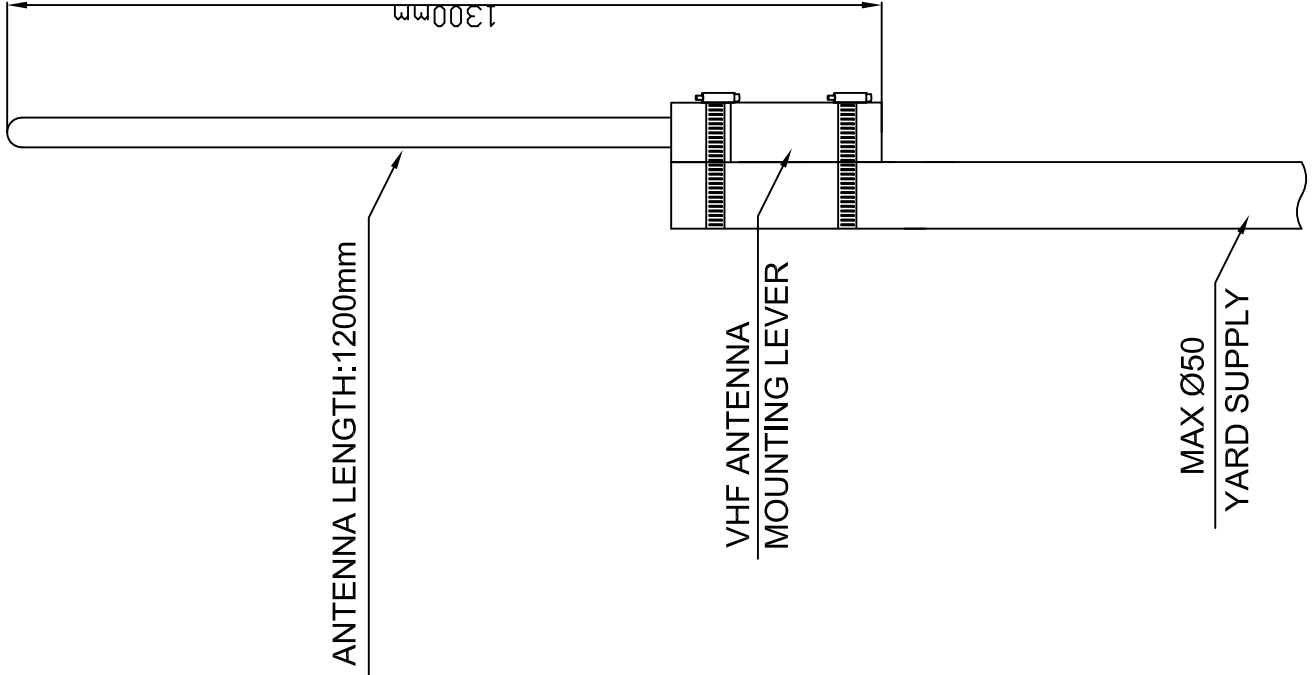
APPLICATION NSK-100 EXTERNAL SPEAKER SIZE DRAWING

DATE	ITEM	SCALE	IN/S	UNIT	PROJ.	SECTION	SIZE	LA4	
CHECKED	NSR							CHECKED	SIZE
DRAWING	NEW SUNRISE CO., LTD.							CHECKED	LA4
DWG. NO.	NVS3000-10-021							DRAWING	LA4



APPLICATION NPT-100 PRINTER SIZE DRAWING

DATE	ITEM	SCALE	N/S	UNIT	mm	SIZE	A4
APPROVAL	CHECKED	DRAWING	DWG NO.				
						NEW SUNRISE CO., LTD. <small>marine</small>	
<small>NPS3000-D-022</small>							



APPLICATION NVA100 VHF ANTENNA MOUNTING DRAWING

DATE	ITEM	SCALE	N/S	UNIT	mm	SIZE	A4
APPROVAL							
CHECKED							
DRAWING							
DWG NO.	NVR3000-ID-023						

NSR
marine
NEW SUNRISE CO., LTD.

