

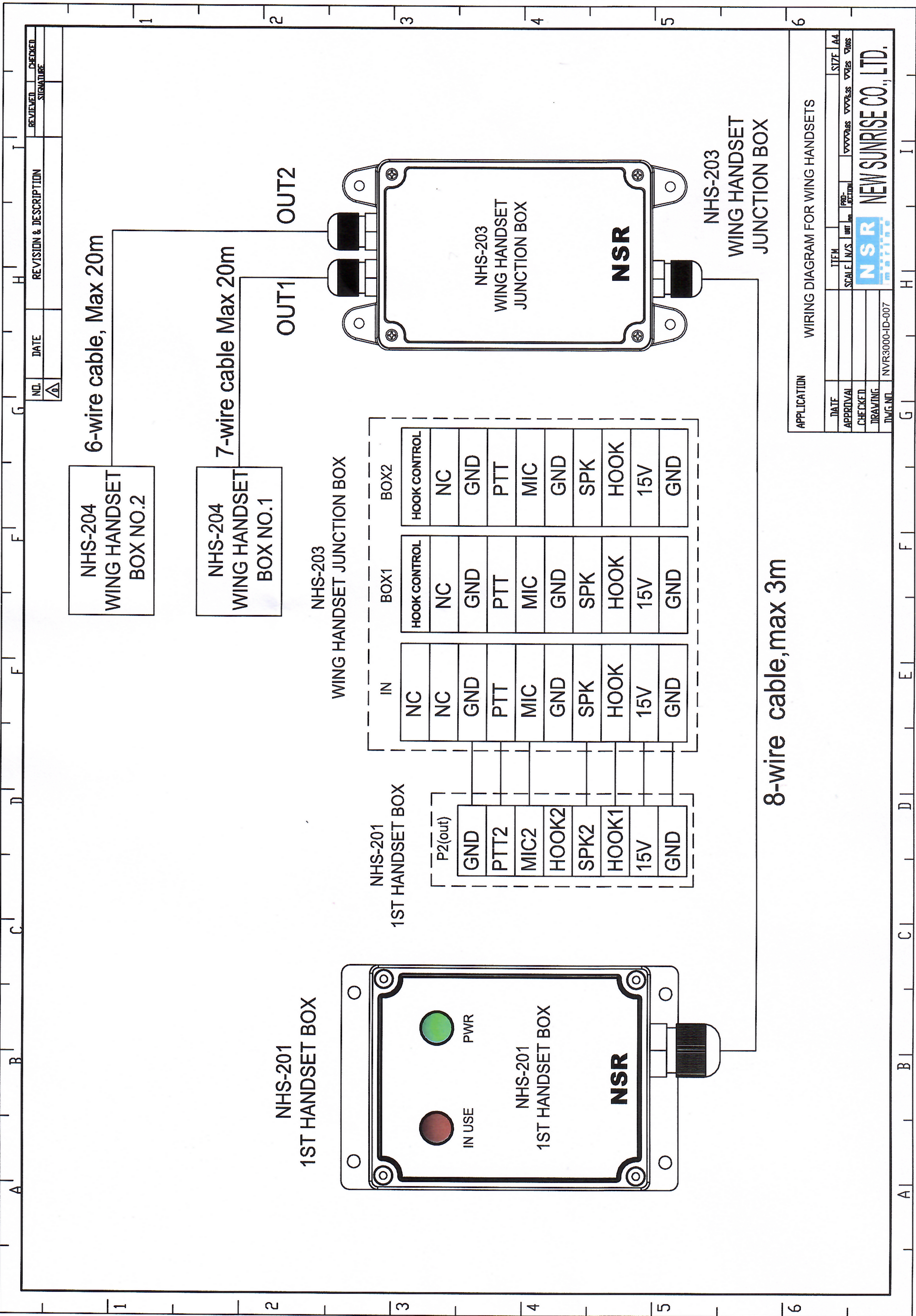
- 1.GND
- 2.PTT
- 3.MIC
- 4.GND
- 5.SPK
- 6.HOOK
- 7.15V
- 8.GND

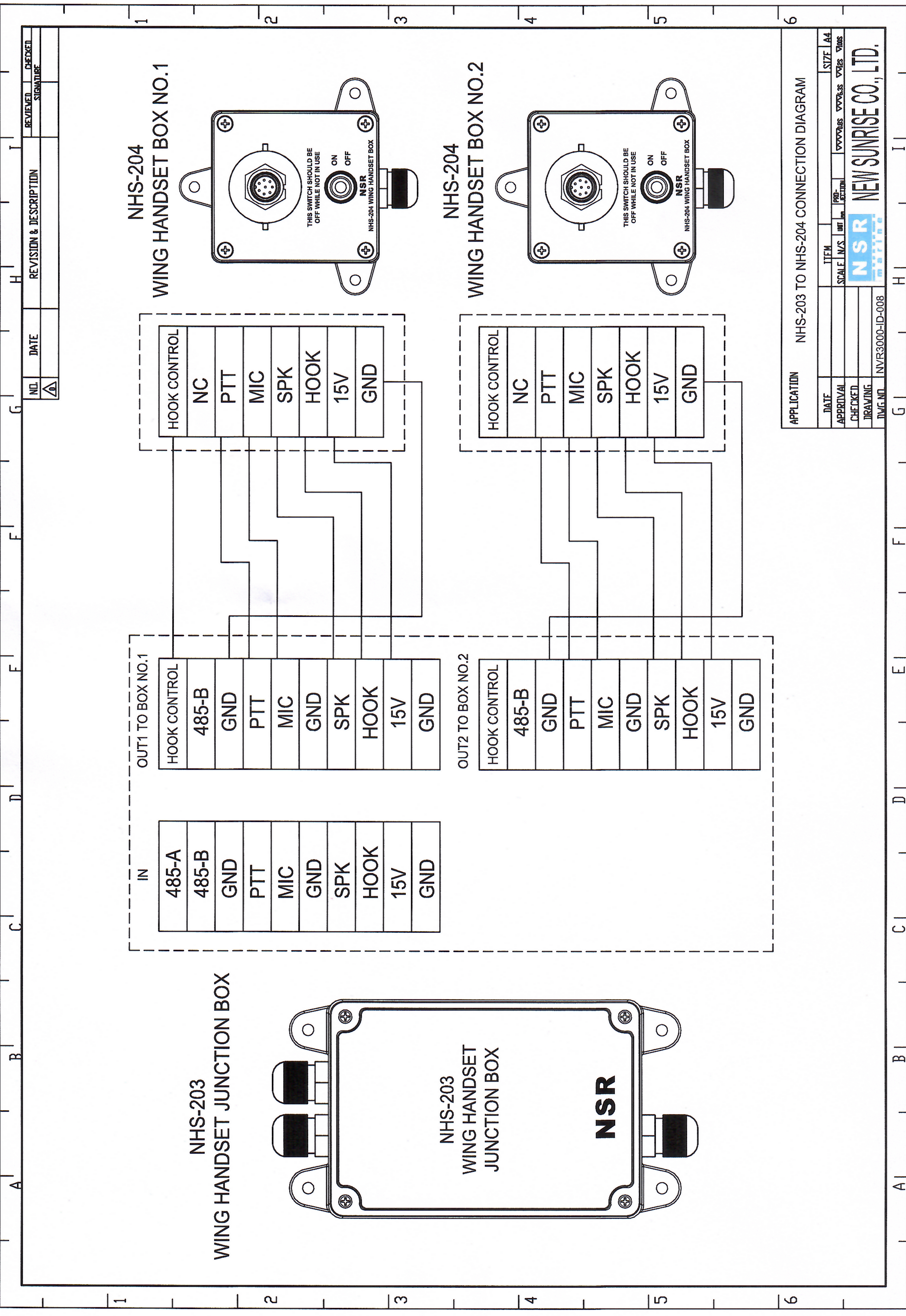
**WARNING!**

1. The ON/OFF switch on NHS-204 (wing handset box) should be kept off when wing handset is not connected or not used.
2. Wing handset will be disabled if main handset at NHS-201 (1st handset box) is removed.
3. Only one wing handset can be connected any time. System will be abnormal if two wing handsets are connected simultaneously.

NO.	DATE	REVISION & DESCRIPTION	REVIEWED SIGNATURE	CHECKED SIGNATURE

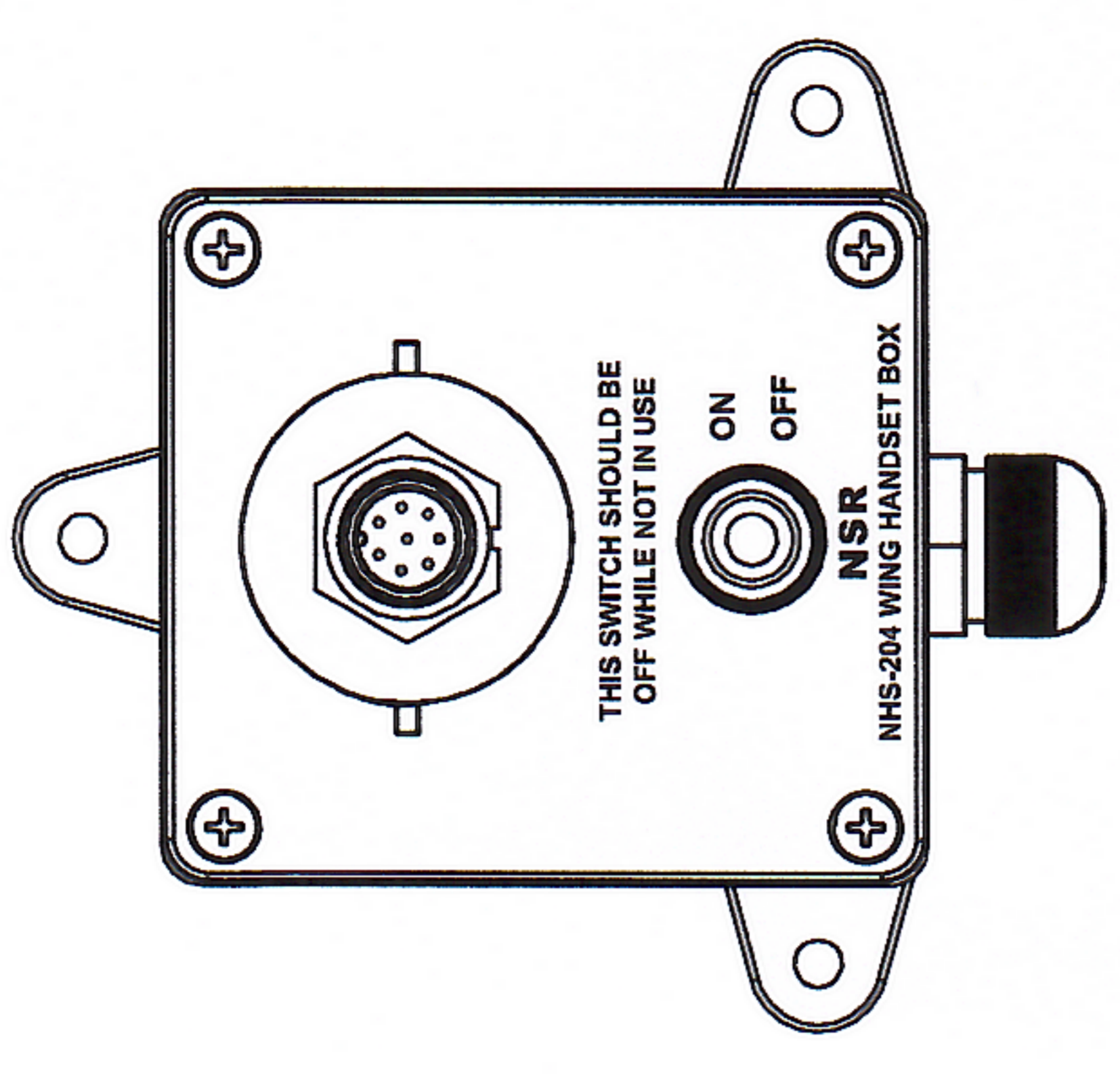
APPLICATION SYSTEM DIAGRAM FOR WING HANDSETS					
DATE	ITEM	SCALE	UNIT	PER. SECTION	SIZE
					A4
APPROVAL	CHECKED	DRAWING	IMG. NO.	NVR3000-ID-006	
 <b>NSR NEW SUNRISE CO., LTD.</b>					



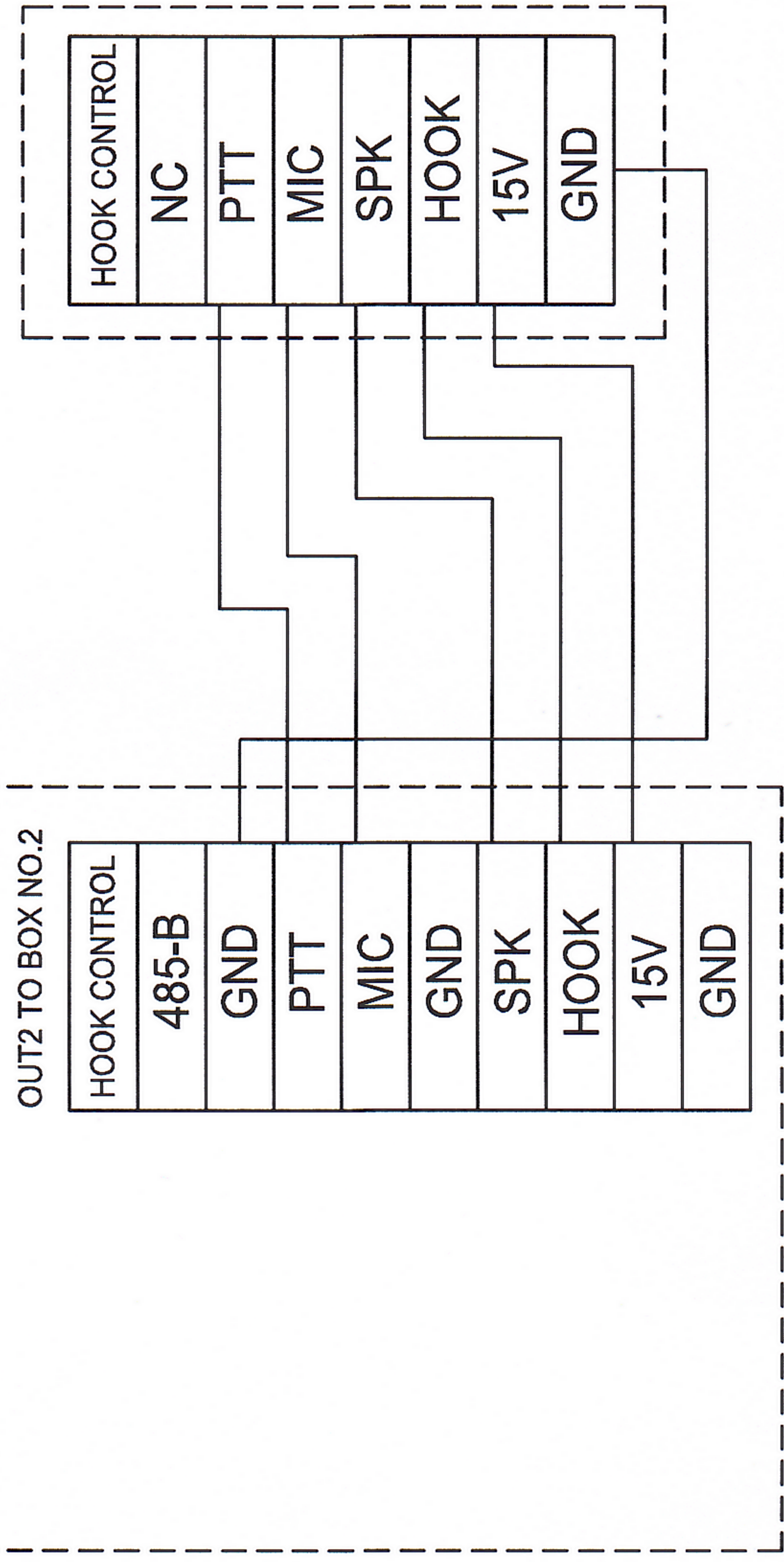
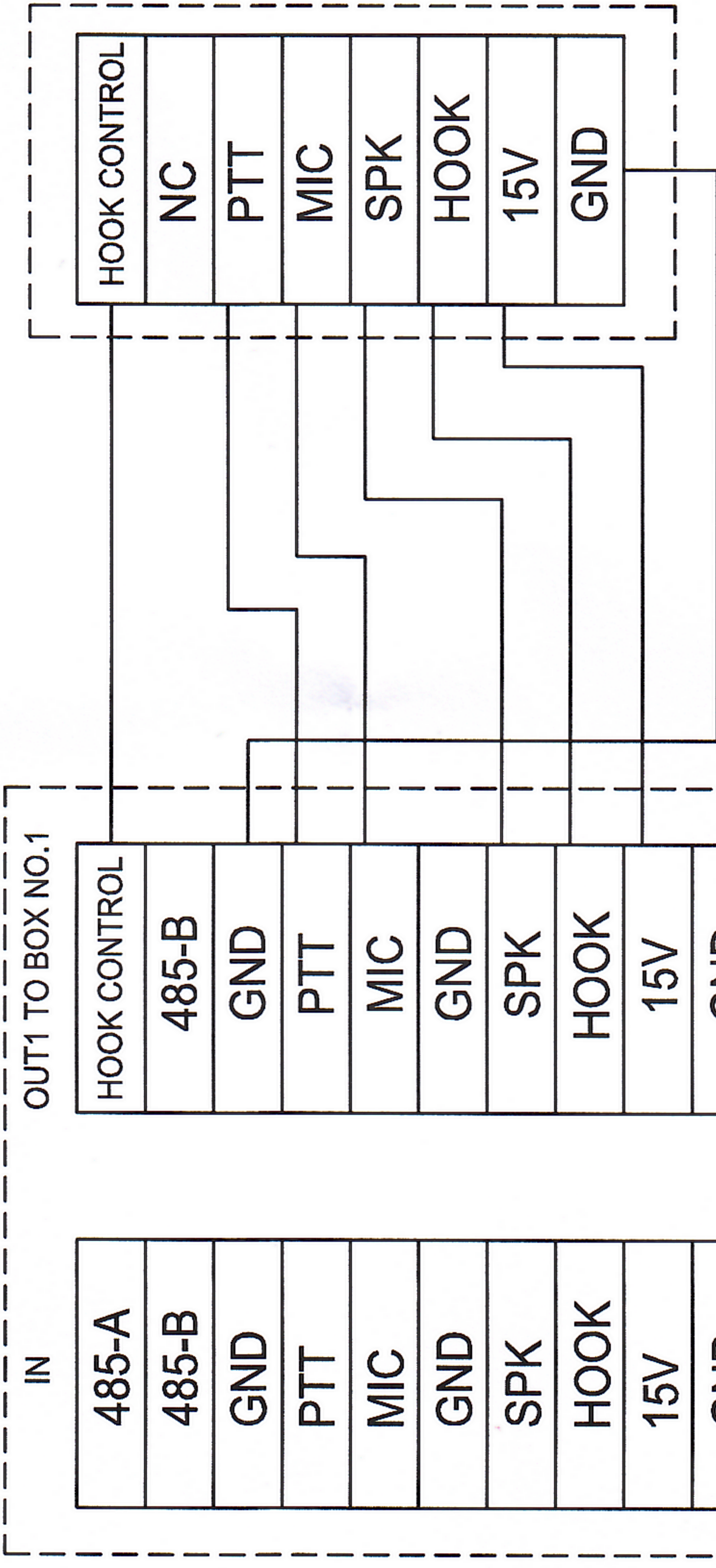
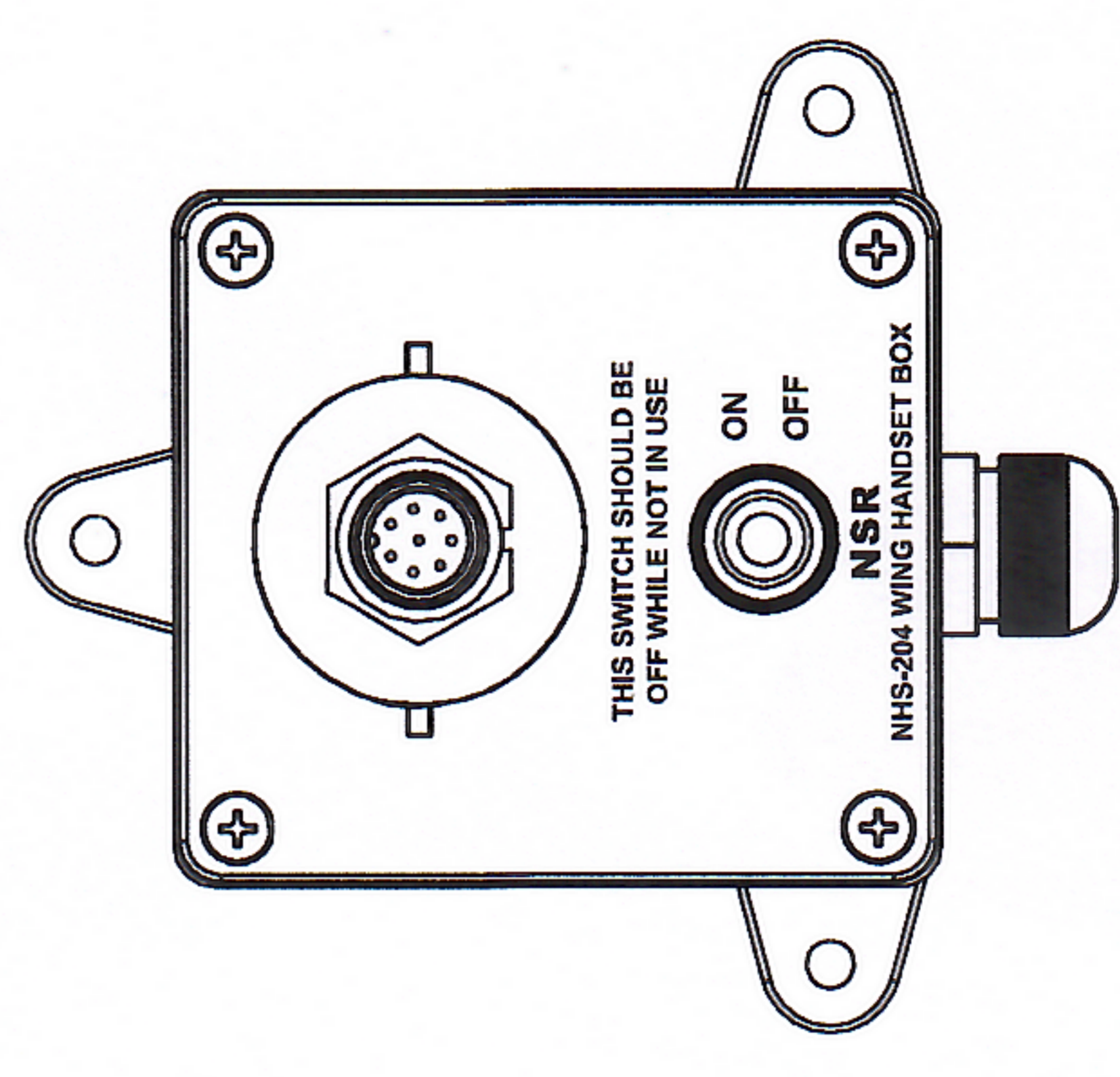


NO.	DATE	REVISION & DESCRIPTION	REVIEWED	CHECKED
1			SIGNATURE	

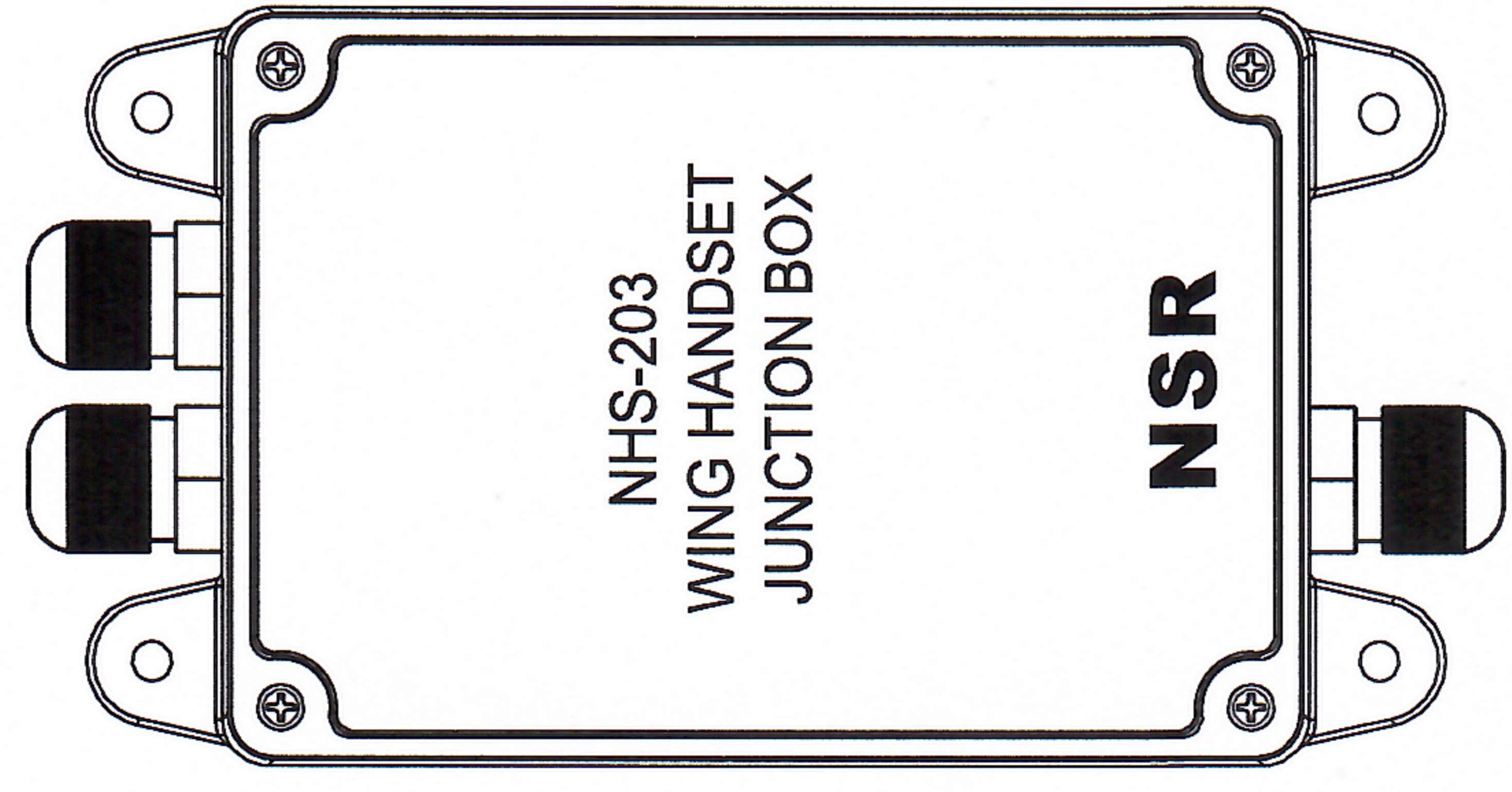
NHS-204  
WING HANDSET BOX NO.1



NHS-204  
WING HANDSET BOX NO.2



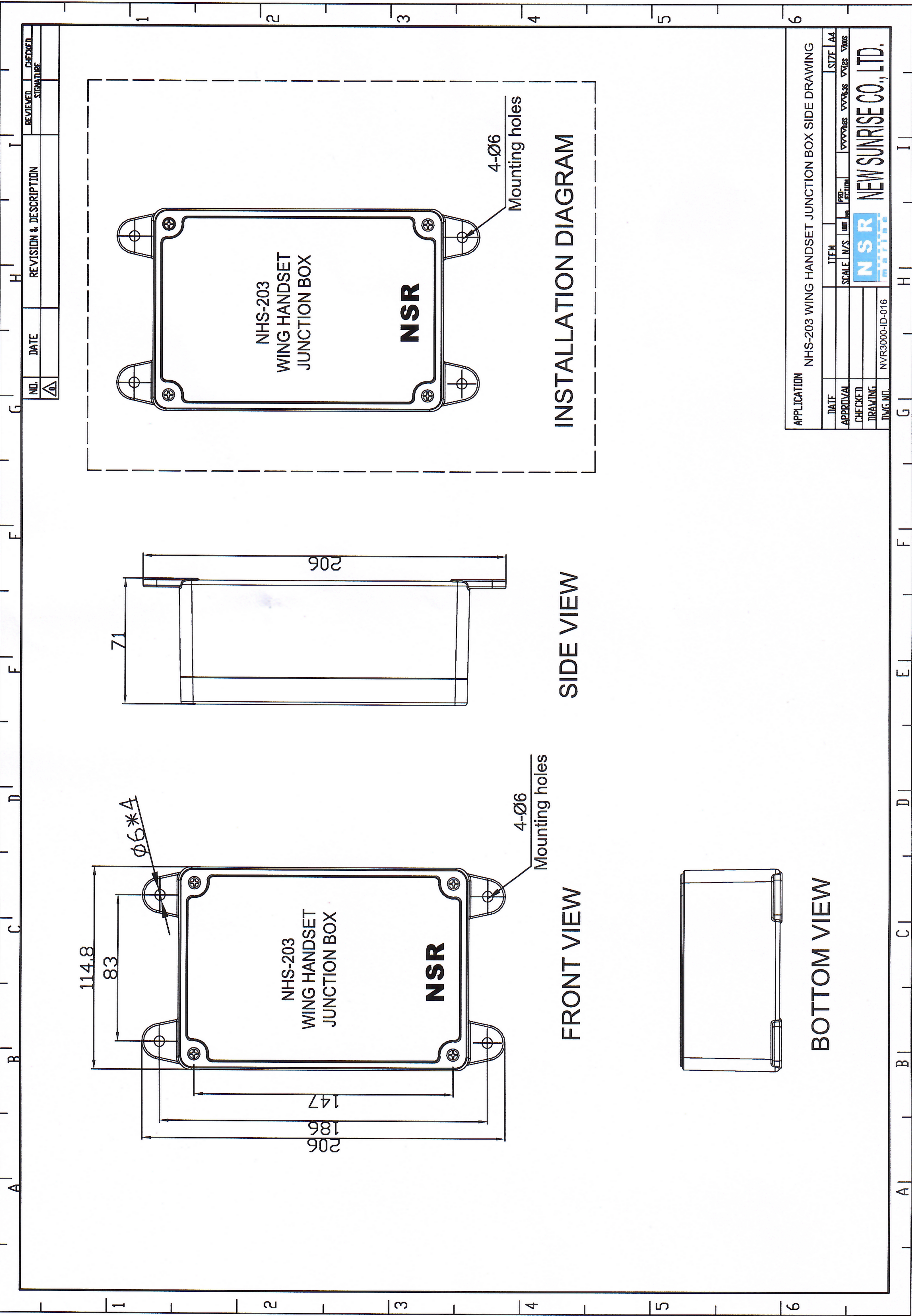
NHS-203  
WING HANDSET JUNCTION BOX



APPLICATION NHS-203 TO NHS-204 CONNECTION DIAGRAM

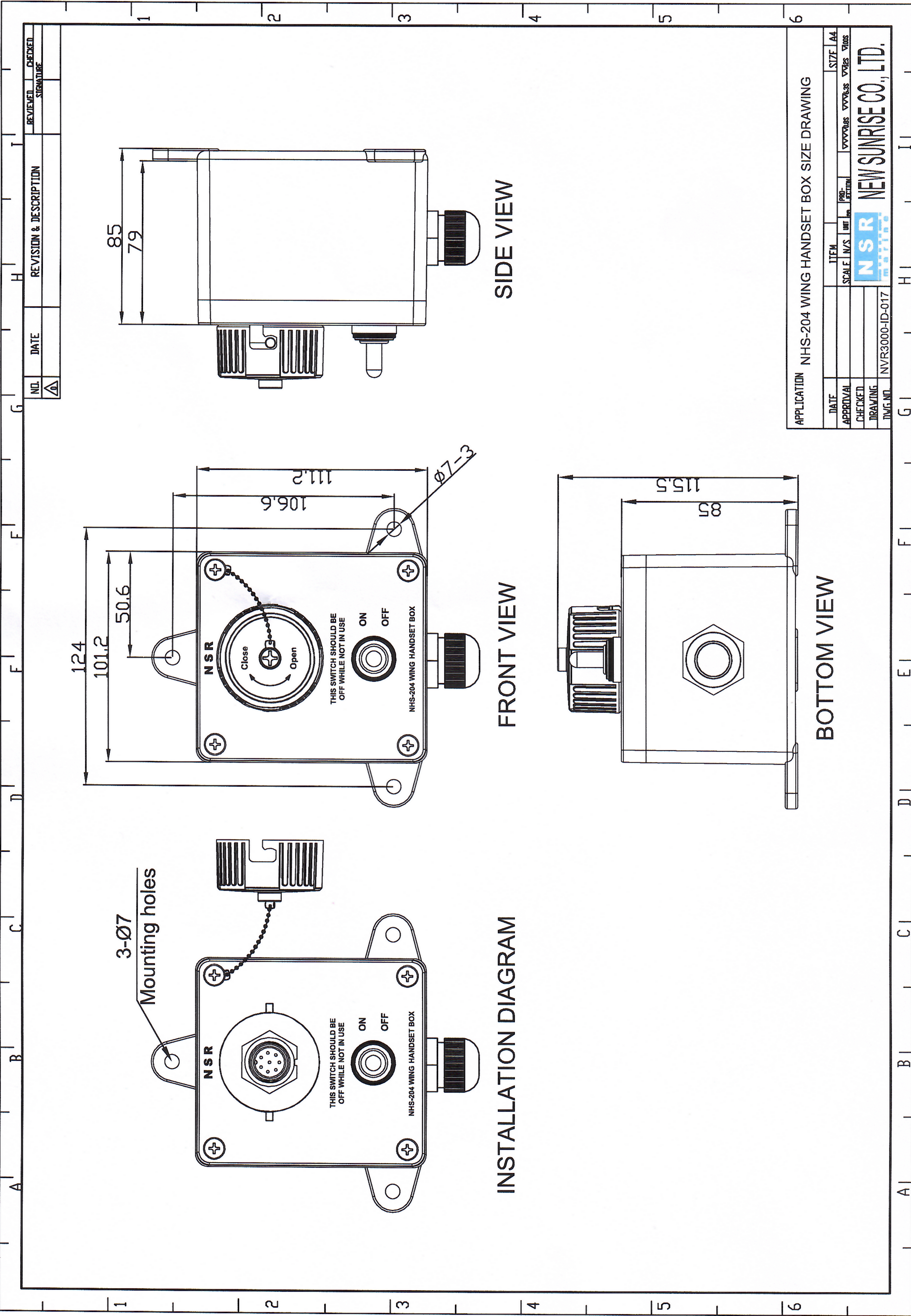
DATE	ITEM	SCALE	UNIT	PROJ. SECTION	SIZE
		1/1			A4
APPROVAL				DESIGNER	DESIGNER
CHECKED					
DRAWING					
DWG. NO.	NVR3000-ID-008				

**NSR** NEW SUNRISE CO., LTD.



NO.	DATE	REVISION & DESCRIPTION	REVIEWED	CHECKED

APPLICATION		NHS-203 WING HANDSET JUNCTION BOX SIDE DRAWING			
DATE	ITEM	SCALE	UNIT	PROJ. SECTION	SIZE
					A4
APPROVAL	SCALE	UNIT	PROJ.	SECTION	SIZE
					A4
CHECKED					
DRAWING					
DWG. NO.	NVR3000-ID-016				
 <b>NSR</b> NEW SUNRISE CO., LTD.					



NO.	DATE	REVISION & DESCRIPTION	REVIEWED SIGNATURE	CHECKED SIGNATURE

APPLICATION NHS-204 WING HANDSET BOX SIZE DRAWING				
DATE	ITEM	SCALE	UNIT	SIZE
APPROVAL	SCALE	UNIT	PROJ. NO.	PROJ. SECTION
CHECKED				
DRAWING				
IMG. NO.	NVR3000-ID-017			
<b>NEW SUNRISE CO., LTD.</b> <small>EST. 1978</small>				