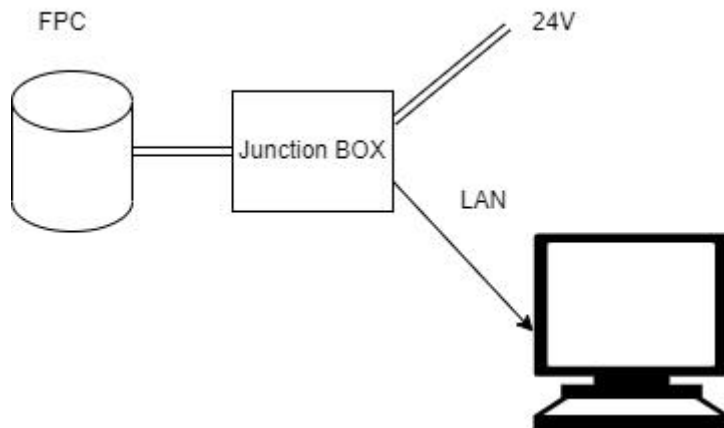


Check FPC without DAU

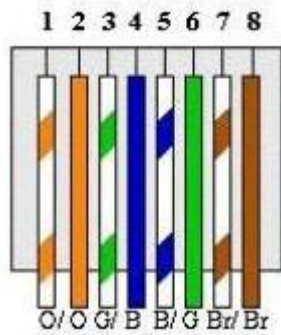
1, Connect like below



If there is no junction box. You can use the cable of FPC

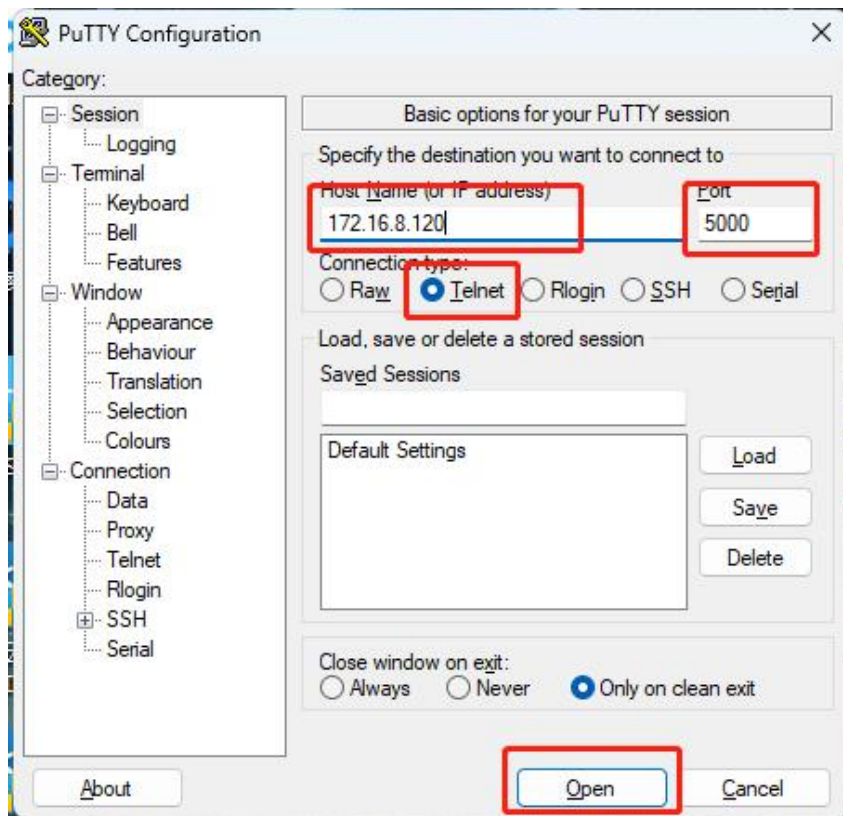


Network cable definition, only use 1-2-3-6



2, Configure IP for PC 172.16.8.175

3, Use [putty.exe](https://putty.org/) to check,
<https://putty.org/>



If it shows like below, it means FPC is normal.

