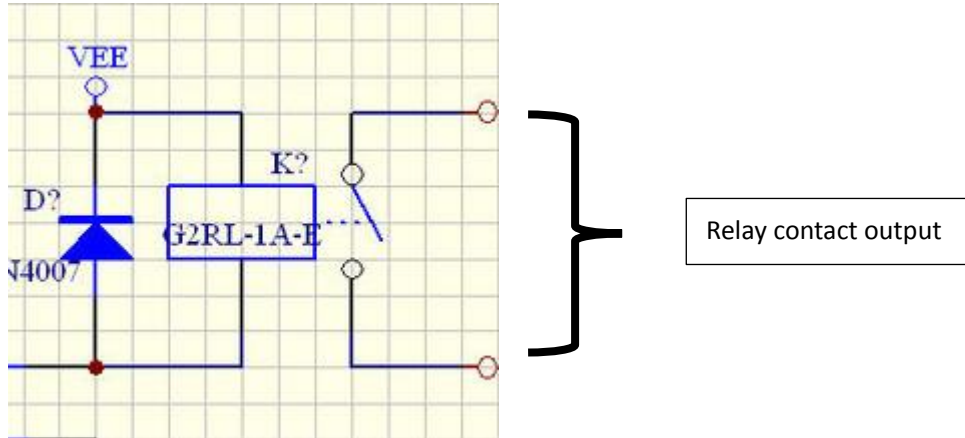


How to Connect Alarm Signal to VDR

What is Alarm Signal? The alarm on bridge should be Dry contact output from the equipment.

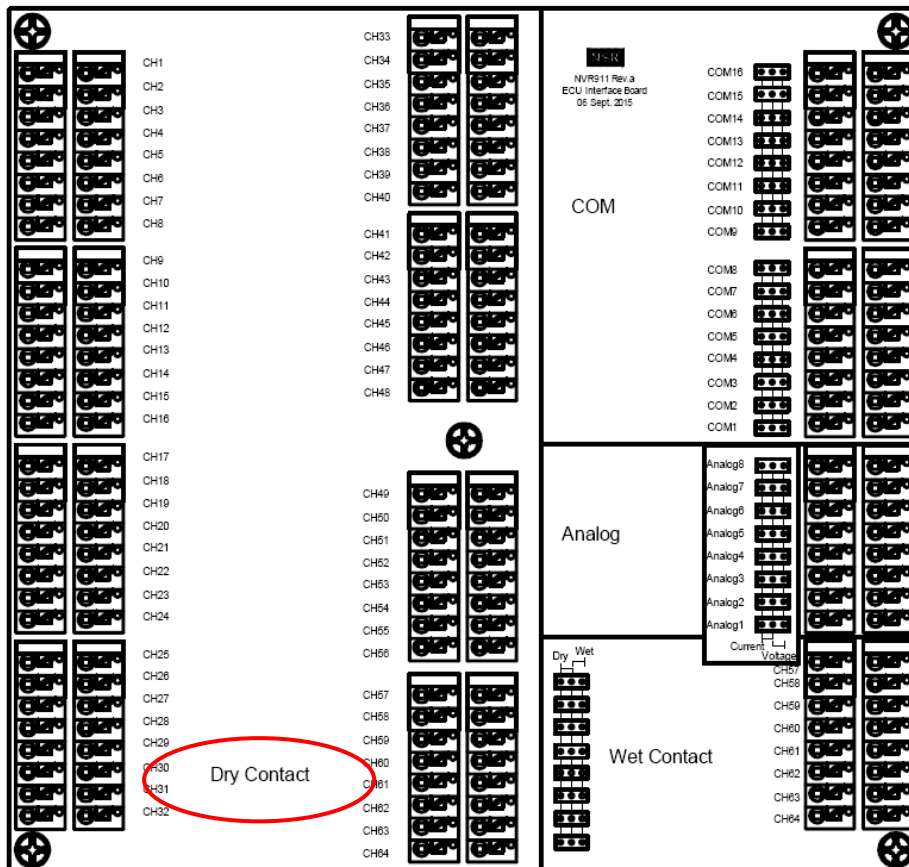
The Dry contact output means the signal comes from Relay contact pins. It has **no voltage** on the two output pins, but can be measured with result of **open or short**.



For example, if Watertight & fire door alarm, the Dry contact may be **short**. And if it is normal the Dry contact may be **open**.

Step 1:

Connect Dry contact 2 wires to DEU(Data extension unit), Dry contact area, CH1~CH64.



Step 2:

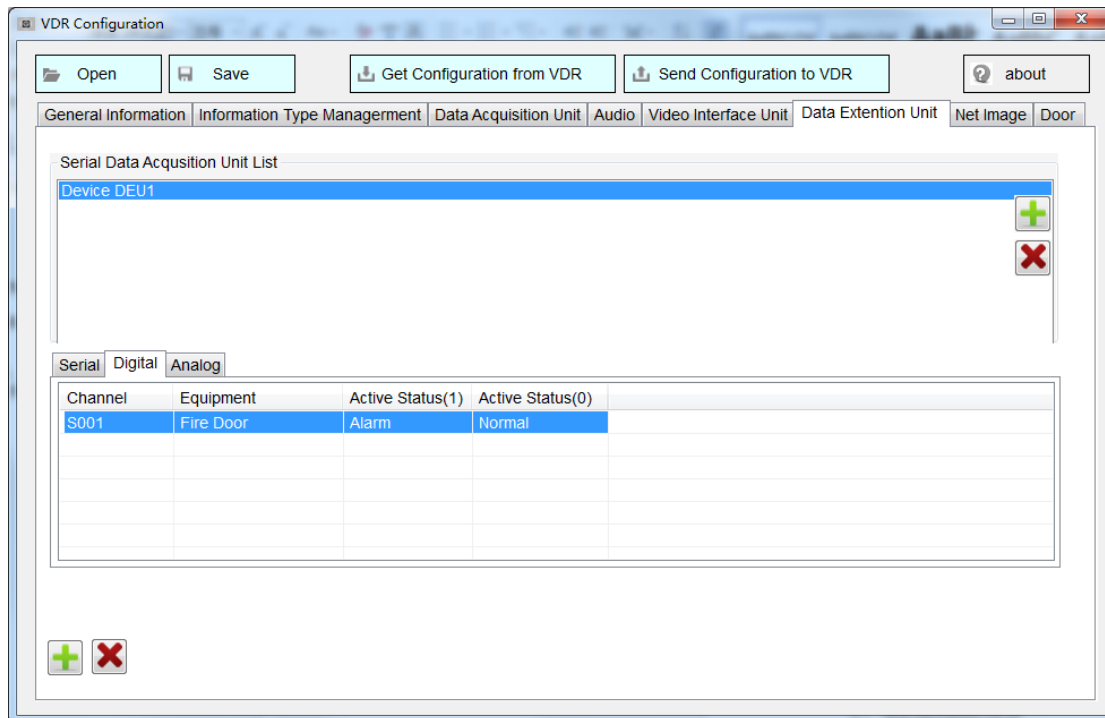
Fill the information to the configuration.

On "Data Extention Unit" page, "Digital" table.

Select "Channel", fill "Equipment".

If the equipment output Dry contact **short** when alarm, fill "Active Status(1)"(Dry contact **short**) with "**Alarm**".

If the equipment output Dry contact **open** when normal, fill "Active Status(0)"(Dry contact **open**) with "**Normal**".



Step 3:

Do not forget to "Send Configuration to VDR".