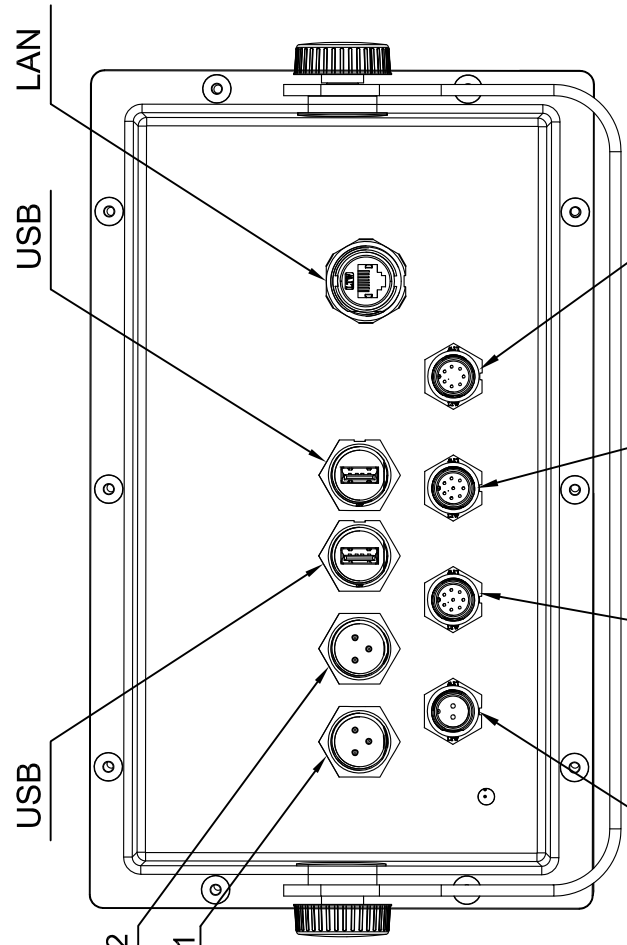


NO.	DATE	REVISION & DESCRIPTION	REVIEWED	CHECKED
△			SIGNATURE	

APPLICATION		NED-3010 ECHO SOUNDER SYSTEM DIAGRAM									
DATE	ITEM	SCALE	NO.	UNIT	REV.	DATE	SCALE	NO.	UNIT	REV.	DATE
APPROVAL	CHECKED	DRAWING	ING.	NO.	NEW SUNRISE CO., LTD.						
NED3010-ID-001											

NO.	DATE	REVISION & DESCRIPTION	REVIEWED	CHECKED
△			SIGNATURE	



TRANSDUCER NO.2  
TRANSDUCER NO.1

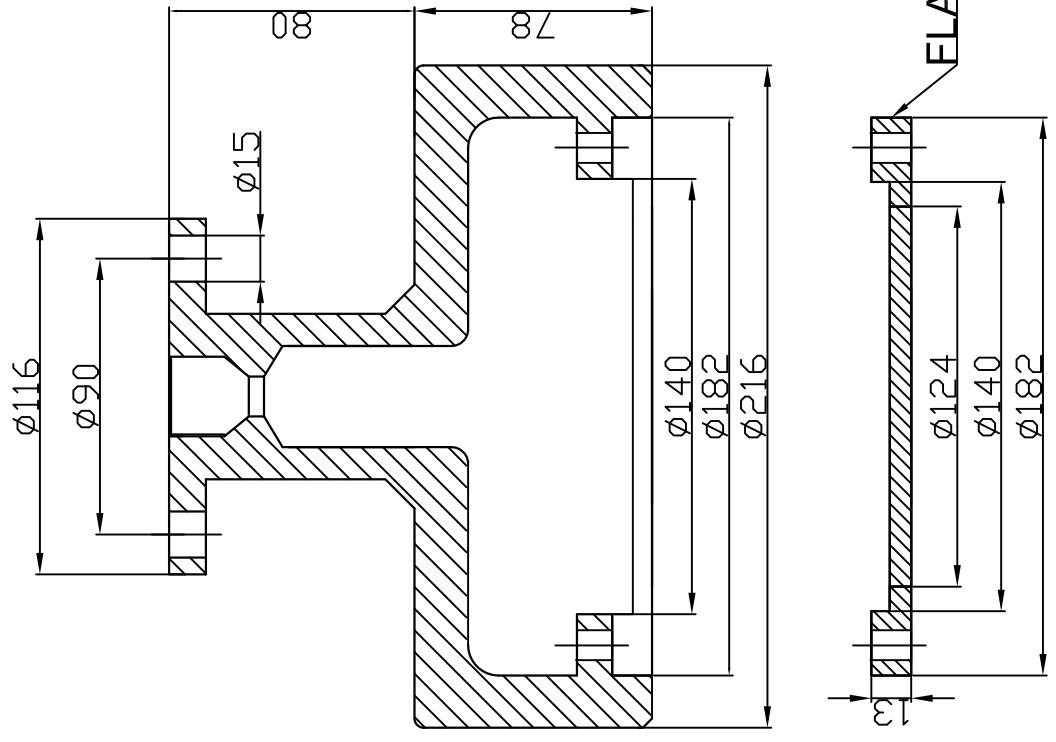
- 1. Transducer+
- 2. Shield
- 3. Transducer-

<b>POWER</b>	<b>DATA</b>	<b>GNSS&amp;BAM</b>	<b>PRINT</b>
1. 24V 2. 0V	1. Data RXB 2. Data RXA 3. Data TXA 4. Data TXB 5. NC 6. NC 7. NC 8. NC	1. GNSS RXB 2. GNSS RXA 3. NC 4. NC 5. BAM RXB 6. BAM RXA 7. BAM TXA 8. BAM TXB	1. PRINT- 2. PRINT+ 3. NC 4. NC 5. NC 6. NC 7. NC

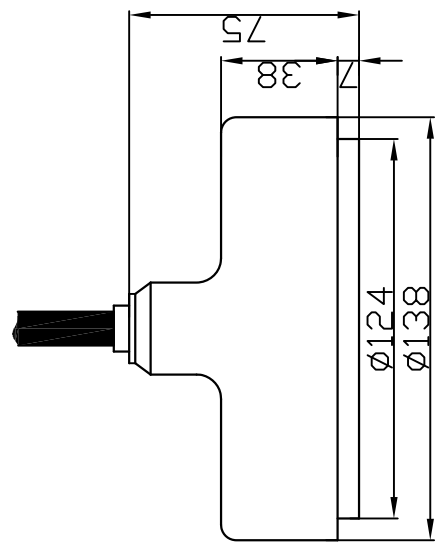
APPLICATION: NED-3010 DISPLAY UNIT PORT DESCRIPTION									
DATE	ITEM	SCALE	NO.	UNIT	REV.	DATE	SCALE	NO.	UNIT
APPROVAL	CHECKED	DRAWING	DATE	NEW SUNRISE CO., LTD.					
				NED3010-IP-002					



NO.	DATE	REVISION & DESCRIPTION	REVIEWED	CHECKED
△			SIGNATURE	



TRANSDUCER TANK  
 NXT-100

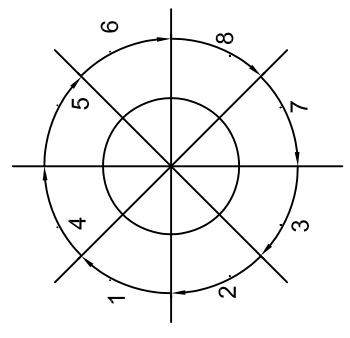
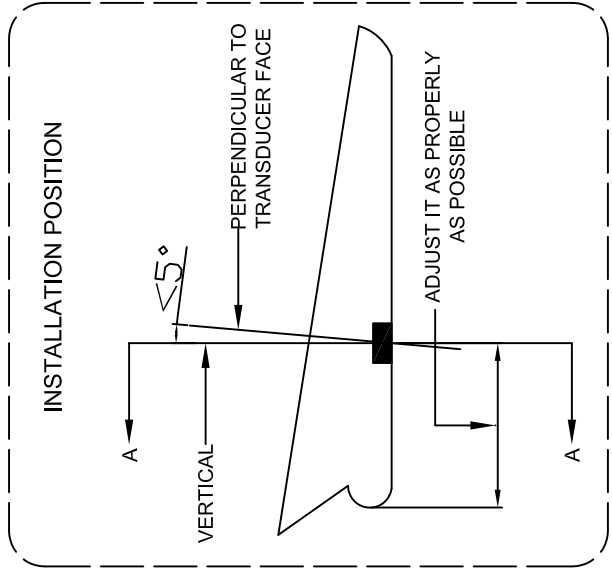
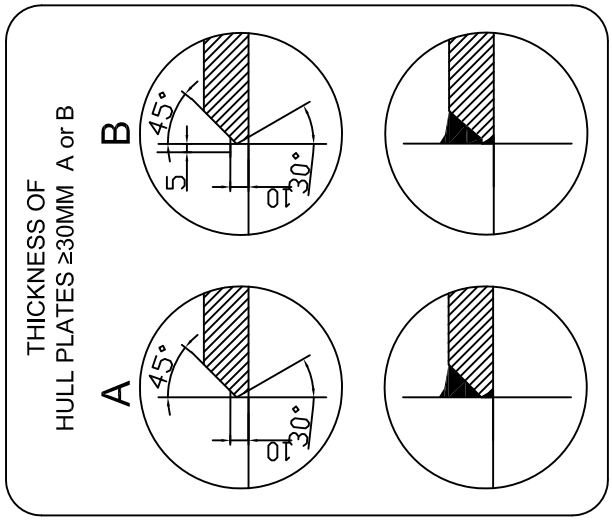
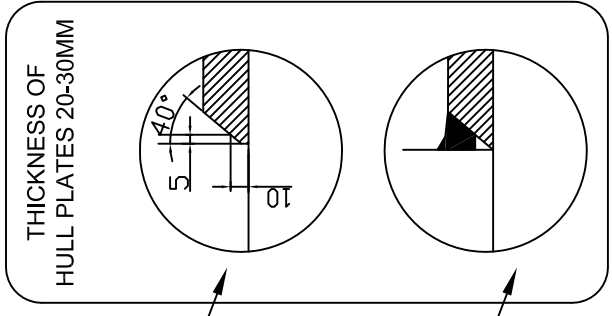
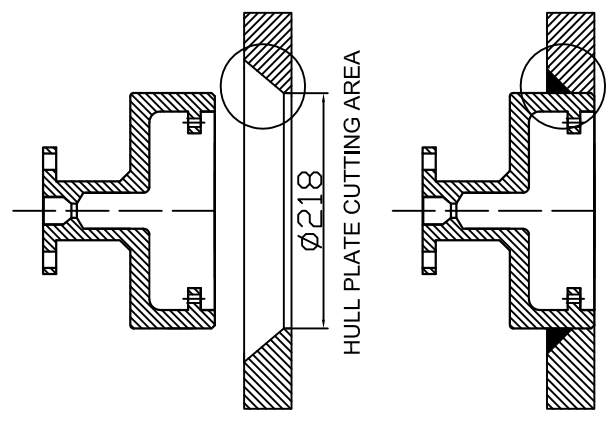
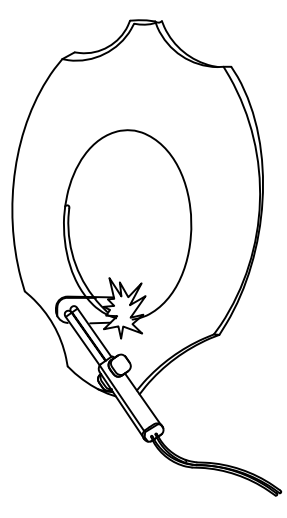
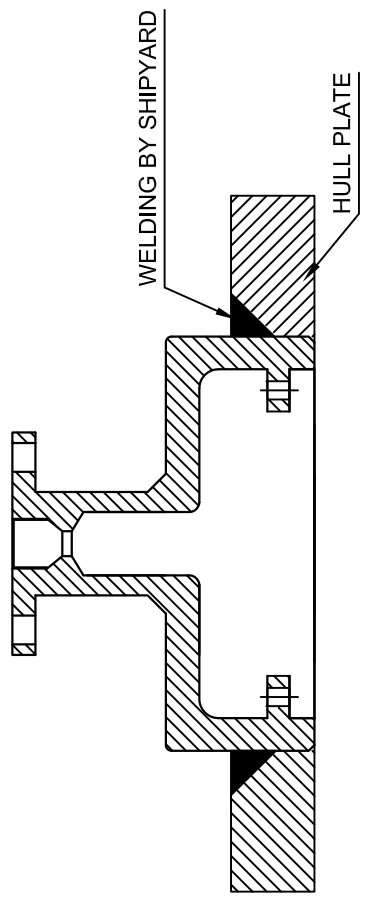


TRANSDUCER  
 NXD-200A

APPLICATION		TRANSDUCER&TRANSDUCER TANK SIZE DRAWING									
DATE	ITEM	SCALE	NO.	REV.	DATE	NO.	REV.	DATE	NO.	REV.	DATE
APPROVAL	CHECKED	DRAWING	DATE	NO.	REV.	DATE	NO.	REV.	DATE	NO.	REV.
INC. NO.											
NED3010-D-004											



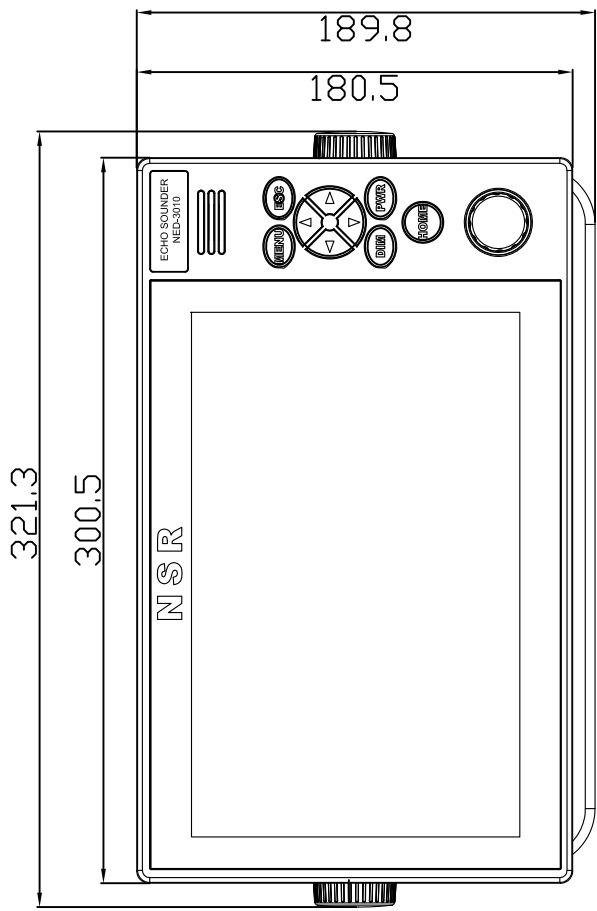
NO.	DATE	REVISION & DESCRIPTION	REVIEWED	DRAWN
△				



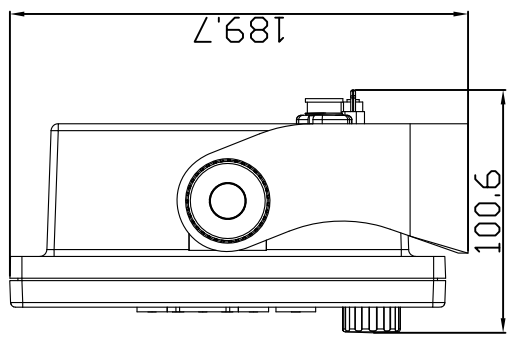
- NOTE:
1. THE TRANSDUCER TANK SHOULD BE WELDED FLUSH WITH SHIP'S HULL PLATE ;
  2. DURING WELDING, THE RING GASKET AND THICK RUBBER GASKET MUST BE REMOVED TO AVOID BURNING;
  3. DON'T HAMMER AFTER THE WELDING IS COMPLETED.

APPLICATION		NXT-100 TRANSDUCER TANK WELDING DRAWING	
DATE	ITEM	SCALE	UNIT
APPROVAL	DATE	DATE	DATE
CHECKED	DATE	DATE	DATE
DRAWING	DATE	DATE	DATE
INC. NO.	INC. NO.	INC. NO.	INC. NO.
N S R		NEW SUNRISE CO., LTD.	
INC. NO.		NED3010-ID-006	

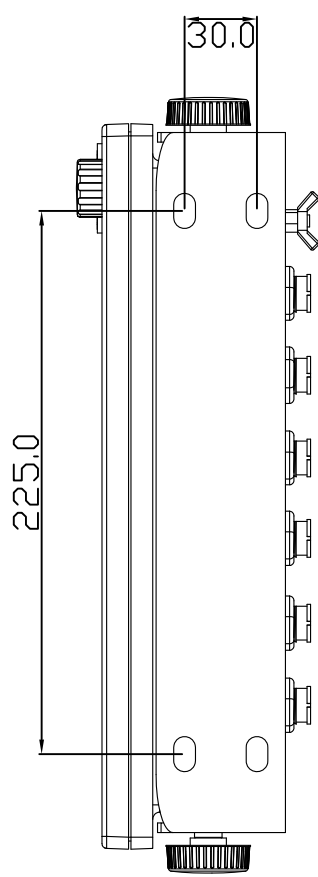
NO.		DATE		REVISION & DESCRIPTION		REVIEWED	CHECKED
△						SIGNATURE	



FRONT VIEW



SIDE VIEW

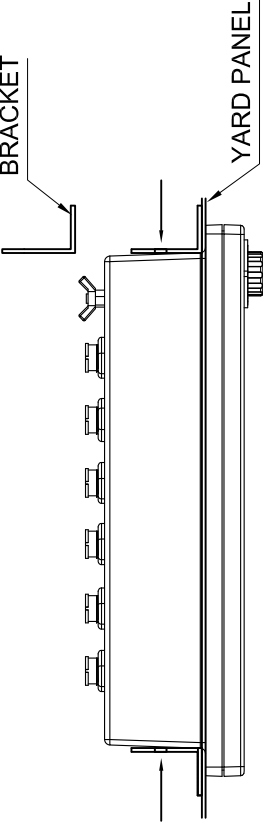


BOTTOM VIEW

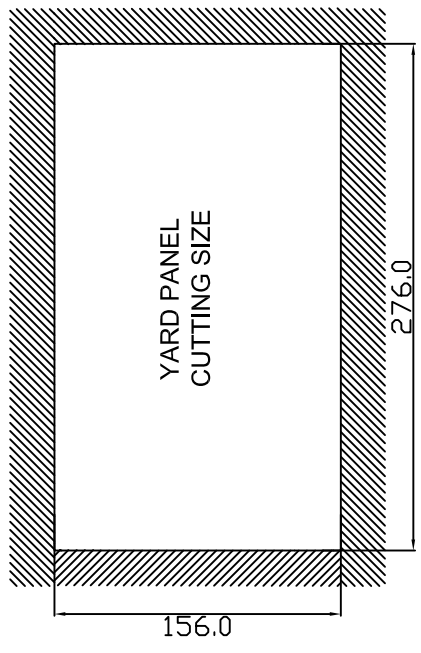
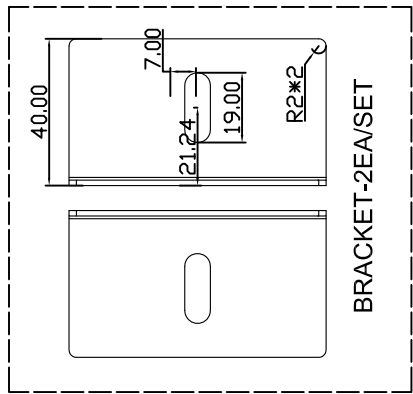
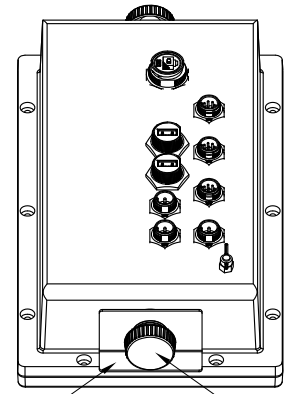
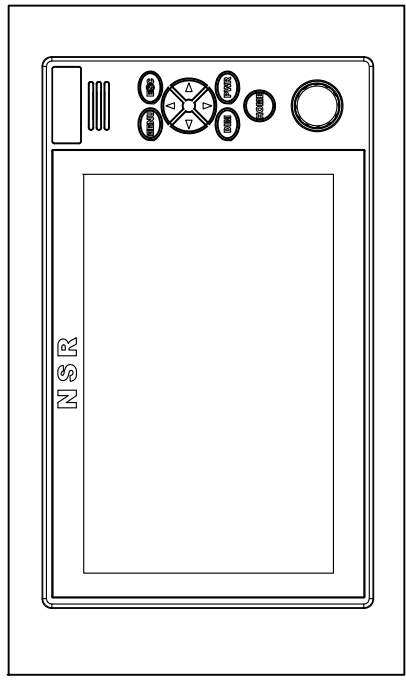
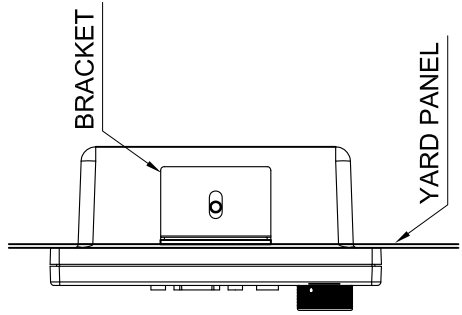
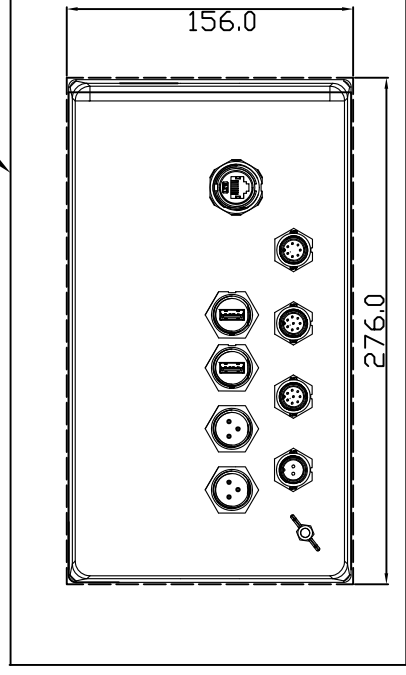
APPLICATION		NED-3010 DISPLAY UNIT SIZE DRAWING											
DATE	ITEM	SCALE	UNIT	UNIT	UNIT	UNIT	UNIT	UNIT	UNIT	UNIT	UNIT	UNIT	UNIT
APPROVAL	SCALE	UNIT	UNIT	UNIT	UNIT	UNIT	UNIT	UNIT	UNIT	UNIT	UNIT	UNIT	UNIT
CHECKED	SCALE	UNIT	UNIT	UNIT	UNIT	UNIT	UNIT	UNIT	UNIT	UNIT	UNIT	UNIT	UNIT
DRAWING	SCALE	UNIT	UNIT	UNIT	UNIT	UNIT	UNIT	UNIT	UNIT	UNIT	UNIT	UNIT	UNIT
ING. NO.	SCALE	UNIT	UNIT	UNIT	UNIT	UNIT	UNIT	UNIT	UNIT	UNIT	UNIT	UNIT	UNIT
NEW SUNRISE CO., LTD.													
NED3010-ID-007													



NO.	DATE	REVISION & DESCRIPTION	REVIEWED	DRAWN
△				



YARD PANEL



APPLICATION NED-3010 DISPLAY UNIT MOUNTING DRAWING(FLUSH TYPE)

DATE	ITEM	SCALE	UNIT	REV.	DATE	SCALE	UNIT	REV.	DATE
APPROVAL	CHECKED	DRAWING	ING. NO.						
				NED3010-ID-009					

